



**SEASONED TREE  
CONSULTING**

**ARBORICULTURAL IMPACT  
ASSESSMENT REPORT**

Prepared for  
**Ken & Meaghan Hoetmer  
c/o Du Plessis Architects**

Site address  
**15 Riverview Parade  
North Manly**

Prepared by David Gowenlock AQF5  
(Director of Seasoned Tree Consulting)

Address PO BOX 3044  
Asquith NSW 2077

Mobile 0415 961 074

Email [david@seasonedtreeconsulting.com.au](mailto:david@seasonedtreeconsulting.com.au)

ABN 73 606 422 351

Date 10 June 2022

# Table of Contents

1.	INTRODUCTION.....	3
2.	SCOPE OF THE REPORT .....	3
3.	LIMITATIONS .....	4
4.	METHODOLOGY.....	5
5.	SITE LOCATION AND BRIEF DESCRIPTION OF PROPOSAL .....	6
6.	OBSERVATIONS AND GENERAL INFORMATION IN RELATION TO PROTECTING TREES ON DEVELOPMENT SITES.....	7
7.	ASSESSMENT OF CONSTRUCTION IMPACTS .....	9
8.	CONCLUSIONS.....	11
9.	PHOTOGRAPHS .....	12
10.	RECOMMENDATIONS.....	14
11.	ARBORICULTURAL WORK METHOD STATEMENT (AMS) AND TREE PROTECTION REQUIREMENTS .....	15
12.	HOLD POINTS.....	20
13.	BIBLIOGRAPHY/REFERENCES.....	22
	APPENDIX 1 – TREE LOCATION/ EXISTING SITE PLAN .....	23
	APPENDIX 1A – PROPOSED SITE PLAN AND TREE PROTECTION PLAN.....	24
	APPENDIX 2- TREE INSPECTION SCHEDULE.....	25

## LIST OF OTHER APPENDICES

- Appendix 3 – Tree Health
- Appendix 4 – Tree Protection Zone
- Appendix 5 – Structural Root Zone
- Appendix 6 – Amenity Value
- Appendix 7 – Age Class
- Appendix 8 – Structural Condition
- Appendix 9 – SULE Categories
- Appendix 10 – Trees AZ

## 1. INTRODUCTION

- 1.1 This report has been commissioned by the site owners Ken & Meaghan Hoetmer to provide an Arboricultural Impact Assessment Report in relation to trees located on or close to the site that may be affected by a proposed development.

TABLE 1: DOCUMENTS PROVIDED FOR THE ASSESSMENT

Title	Author	Date	Reference on document
DA Consultant Issue	Du Plessis Architects	25.05.2022	Issue F
Plan showing details and levels	TSS Surveyors	08/10/2020	-

- 1.2 One site inspection was carried out for the purpose of this assessment on 9<sup>th</sup> June 2022. The site inspection was undertaken to collect tree and site data.
- 1.3 The weather during both the site visits was clear and calm with good visibility.

## 2. SCOPE OF THE REPORT

- 2.1 **This report has been undertaken to meet the following objectives.**
- 2.2 Conduct a visual assessment from ground level of all trees located on or close to the site.
- 2.3 Determine the trees estimated contributing years, remaining useful life expectancy and award the tree a retention value.
- 2.4 Provide an assessment of the potential impact the proposed development is likely to have on the condition of the subject trees in accordance with AS4970 Protection of trees on development sites (2009).
- 2.5 Recommend methods to mitigate development impacts where appropriate.
- 2.6 Recommend pragmatic tree protection measures for any tree to be retained in accordance with AS4970 Protection of Trees on Development Sites - 2009.

### 3. LIMITATIONS

- 3.1 Observations and recommendations are based on the single site inspection. The findings of this report are based on the observations and site conditions at the time inspection.
- 3.2 All observations were carried out from ground level. No detailed additional testing was carried out on trees or soil on site and none of the surrounding surfaces were lifted for investigation.
- 3.3 Root decay can sometimes be present with no visual indication above ground. It is also impossible to know the extent of any root damage caused by mechanical damage such as underground root cutting during the installation of services without undertaking detailed root investigation. Any form of tree failure due to these activities is beyond the scope of this assessment.
- 3.4 The report reflects the subject tree(s) as found on the day of inspection. Any changes to the growing environment of the subject tree, or tree management works beyond those recommended in this report may alter the findings of the report. There is no warranty, expressed or implied, that problems or deficiencies relating to the subject tree, or subject site may not arise in the future.
- 3.5 Tree identification is based on accessible visual characteristics at the time of inspection. As key identifying features are not always available the accuracy of identification is not guaranteed. Where tree species is unknown, it is indicated with a spp.
- 3.6 All diagrams, plans and photographs included in this report are visual aids only and are not to scale unless otherwise indicated.
- 3.7 Seasoned Tree Consulting neither guarantees, nor is responsible for, the accuracy of information provided by others that is contained within this report.
- 3.8 While an assessment of the subject trees estimated useful life expectancy is included in this report, no specific tree risk assessment has been undertaken for any of trees at the site.
- 3.9 Where trees are stated as retainable under the current proposal, this will only become a reality if all recommendations and specifications are followed exactly.
- 3.10 The ultimate safety of any tree cannot be categorically guaranteed. Even trees apparently free of defects can collapse or partially collapse in extreme weather conditions. Trees are dynamic, biological entities subject to changes in their environment, the presence of pathogens and the effects of ageing. These factors reinforce the need for regular inspections. It is generally accepted that hazards can only be identified from distinct defects or from other failure-prone characteristics of a tree or its locality.
- 3.11 Alteration of this report invalidates the entire report.

## 4. METHODOLOGY

- 4.1 The following information was collected during the assessment of the subject tree(s).
- 4.2 Tree common name
- 4.3 Tree botanical name
- 4.4 Tree age class
- 4.5 DBH (Trunk/Stem diameter at breast height/1.4m above ground level) - millimetres.
- 4.6 Estimated height - metres
- 4.7 Estimated crown spread (Diameter of crown) - metres
- 4.8 Health
- 4.9 Structural condition
- 4.10 Amenity value
- 4.11 Estimated remaining contribution years (SULE)<sup>1</sup>
- 4.12 Retention value (Tree AZ)<sup>2</sup>
- 4.13 Notes/comments
- 4.14 An assessment of the trees condition was made using the visual tree assessment (VTA) model (Mattheck & Breloer, 1994).<sup>3</sup>
- 4.15 Tree diameter was measured using a DBH tape or in some cases estimated. All other measurements were estimations unless otherwise stated. The other tools I used during the assessment were a digital camera and a Leica DistoD410 digital laser tape.
- 4.16 All DBH measurements, tree protection zones, and structural root zones were calculated in accordance with methods set out in AS4970 Protection of trees on development sites (2009) <sup>4</sup> and in some cases estimated. See appendices for information.
- 4.17 Details of how the observations in this report have been assessed are listed in the appendices.

---

<sup>1</sup> Barrell Tree Consultancy, *SULE: Its use and status into the New Millennium*, TreeAZ/03/2001, <http://www.treeaz.com/>.

<sup>2</sup> Barrell Tree Consultancy, *Tree AZ version 10.10-ANZ*, <http://www.treeaz.com/>.

<sup>3</sup> Mattheck, C. & Breloer, H., *The body language of trees - A handbook for failure analysis*, The Stationary Office, London, England (1994).

<sup>4</sup> Council of Standards Australia, *AS4970 Protection of trees on development sites* (2009).

## 5. SITE LOCATION AND BRIEF DESCRIPTION OF PROPOSAL

- 5.1 The site is located in the suburb of North Manly in the Northern Beaches Council LGA. This assessment has been carried out in accordance with the following documents and legislation;
- 5.1.1 Warringah Local Environmental Plan 2011
  - 5.1.2 Warringah Development Control Plan (DCP) 2011
  - 5.1.3 State Environmental Planning Policy (Biodiversity and Conservation 2021).
- 5.2 The site is a flat block in a residential area. The block has an existing house and driveway. There is a heritage tree item located within the northerly adjoining neighbours back yard.
- 5.3 The block is zoned as R2: Low density residential and is approx. 580 sqm in size.
- 5.4 The proposal consists of extensive alterations and additions to the existing house with construction of a new pool and landscaping features.

### Tile 1: Site location <sup>5</sup>



---

<sup>5</sup> <https://maps.six.nsw.gov.au/>

## 6. OBSERVATIONS AND GENERAL INFORMATION IN RELATION TO PROTECTING TREES ON DEVELOPMENT SITES

- 6.1 **Tree information:** Details of each individual tree assessed, including the observations taken during the site inspection can be found in the tree inspection schedule in appendix 2, where the indicative tree protection zone (TPZ) for the subject trees has been calculated. The TPZ and SRZ should be measured in radius from the centre of the trunk. Trees have been awarded a retention value based on site observations. The system used to award the retention value is Tree AZ. Tree AZ is used to identify higher value trees worthy of being a constraint to development and lower value trees that should generally not be a constraint to the development. A field sheet of Tree AZ categories sheet (Barrell Tree Consultancy) has been included at the end of the report to assist with understanding the retention values. The retention value that has been allocated to the subject trees in this report is not definitive and should only be used as a guideline.
- 6.2 **Site plans:** Appendix 1 contains an existing site plan identifying tree locations and an overlay of the indicative TPZ and SRZ of each tree. Appendix 1A contains the proposed site plans, trees retained through the development and Appendix 1B tree protection advice.
- 6.3 **Tree protection zone (TPZ):** The TPZ is principle means of protecting trees on development sites and is an area required to maintain the viability of trees during development. It is commonly observed that tree roots will extend significantly further than the indicative TPZ, however the TPZ is an area identified AS4970-2009 to be the extent where root loss or disturbance will generally impact the viability of the tree. The TPZ is identified as a restricted area to prevent damage to trees either above or below ground during a development. Where trees are intended to be retained proposed developments must provide an adequate TPZ around trees. The TPZ is set aside for the tree's root zone, trunk and crown and it is essential for the stability and longevity of the tree. The tree protection also incorporates the SRZ (see below for more information about the SRZ). The TPZ of palms, other monocots, cycads and tree ferns has been calculated at one metre outside the crown projection. Appendix 4 contains additional information about the TPZ including information about calculating the TPZ and examples of TPZ encroachment.
- 6.4 **Structural Root Zone (SRZ):** This is the area around the base of a tree required for the trees stability in the ground. An area larger than the SRZ always needs to be maintained to preserve a viable tree. There are several factors that can vary the SRZ which include height, crown area, soil type and soil moisture. It can also be influenced by other factors such as natural or built structures. Generally work within the SRZ should be avoided. Soil level changes should also generally be avoided inside the SRZ of trees to be retained. Palms, other monocots, cycads and tree ferns do not have an SRZ. See appendix 5 for more information about the SRZ.

- 6.5 **Minor encroachment into TPZ:** Sometimes encroachment into the TPZ is unavoidable. Encroachment includes but is not limited to activities such as excavation, compacted fill and machine trenching. Minor encroachment of up to 10% of the overall TPZ area is normally considered acceptable, providing there is space adjacent to the TPZ for the tree to compensate and the tree is displaying adequate vigour/health to tolerate changes to its growing environment.
- 6.6 **Major encroachment into TPZ:** Where encroachment of more than 10% of the overall TPZ area is proposed an Arborist must investigate and demonstrate that the tree will remain in a viable condition. In some cases, tree sensitive construction methods such as pier and beam footings, suspended slabs, or cantilevered sections, can be utilised to allow additional encroachment into the TPZ by bridging over roots and minimising root disturbance. Major encroachment is only possible if it can be undertaken without severing significant size roots, or if it can be demonstrated that significant roots will not be impacted.



## 7. ASSESSEMENT OF CONSTRUCTION IMPACTS

7.1 **Table 2:** The table below contains a summary of the impact of proposed development impact to all trees included in the assessment.

Tree ID	Common name	Retention value	TPZ radius (m)	SRZ Radius (m)	TPZ Area (sq m)	TPZ Encroachment See Appendix 1A	Discussion/ Conclusion	Recommendation
1	Canary Island date palm	A3	4.8	-	72.4	Minor	<p>The tree is located within the northerly neighbours rear yard and is in good overall condition.</p> <p>The palm is a Heritage listed Tree (item I115) listed in Schedule 5 of Warringah Local Environmental Plan 2011</p> <p>There is a minor encroachment from proposed removal of the existing shed and landscaping works.</p> <p>The proposed impacts will be low and acceptable to this tree if good arboricultural practice is followed with guidance and input from the project arborist during demolition and construction. It is recommended that the existing shed is demolished and removed by hand.</p>	Tree to be retained and protected.
2	Mulberry	Z3	3.6	2.1	40.7	Minor	<p>The tree is located within the northerly neighbours rear yard and is in good overall condition.</p> <p>There is a minor encroachment from proposed removal of the existing shed and landscaping works.</p> <p>The proposed impacts will be low and acceptable to this tree if good arboricultural practice is followed with guidance and input from the project arborist during demolition and construction.</p>	Tree to be retained and protected.
3	Bangalow Palm	Z3	2.4	-	18.1	Minor	<p>The tree is located within the backyard and is in good overall condition.</p> <p>There is a minor encroachment from proposed removal of the existing shed and landscaping works.</p> <p>The proposed impacts will be low and acceptable to this tree if good arboricultural practice is followed with guidance and input from the project arborist during demolition and construction.</p>	Tree to be retained and protected.
4	Jacaranda	A1	4.56	2.3	65.3	Minor	<p>The tree is located within the backyard and is in good overall condition.</p> <p>There is a minor encroachment from proposed construction of the pool coping area and landscaping works, noting that the pool coping is proposed to be above ground level on piers (so will be even lower than anticipated)</p> <p>The proposed impacts will be low and acceptable to this tree if good arboricultural practice is followed with guidance and input from the project arborist during demolition and construction. Supervision of the pier excavation should be undertaken, with good quality ground protection (mulch and track mats for load spreading) for any movements through the TPZ.</p>	Tree to be retained and protected.

Tree ID	Common name	Retention value	TPZ radius (m)	SRZ Radius (m)	TPZ Area (sq m)	TPZ Encroachment See Appendix 1A	Discussion/ Conclusion	Recommendation
5	Cocos palm	Z3		-	-	Minor	<p>Exempt tree (weed) species.</p> <p>Minor impact from proposed plans (re-landscaping), unless the whole length of the Sydney water sewer main pipe is to be encased in concrete.</p> <p>If this is required, then this palm will require removal. Project arborist advice and guidance will be required.</p>	<p>Remove or retain palm.</p> <p>If retaining, project arborist advice and guidance will be required.</p>
6	Illawarra flame tree	Z3	3.84	2.2	46.3	Major	<p>Exempt tree species with fair form.</p> <p>I recommend as part of a landscaping plan that this tree is removed and replaced due to its fair form. I can be contacted for replacement tree advice.</p>	Remove and replace.
7	3 x Cocos palm	Z3		-	-	Minor	<p>3 x exempt tree (weed) species.</p> <p>Minor to major impact from proposed plans (driveway and re-landscaping).</p> <p>If retaining, project arborist advice and guidance will be required.</p>	<p>Remove or retain palms</p> <p>If retaining, project arborist advice and guidance will be required.</p>
8	Water gum	A1	2	-	12.5	Nil	Street tree in good (juvenile) condition. To be retained and protected.	Retain and protect.

## 8. CONCLUSIONS

8.1 **Table 3:** Summary of the impact to trees during the development;

Impact	Reason	A	Z
		None	T5, T6, T7 (3 trees)
Trees to be removed	Building construction, new surfacing and/or proximity, trees in poor condition, or for the creation of the Inner APZ	T1, T4 (2 trees)	T2, T3 (2 trees)
Retained trees that will be subject to TPZ encroachment	Removal of existing surfacing/structures and/or installation of new surfacing/structures	T8 (1 tree)	None
Trees to be retained that will not be subject to TPZ encroachment	Space for development	None	None
Trees requiring further investigation (Root Mapping)	Soil characteristics, topography and level changes within the TPZ		

# 9. PHOTOGRAPHS



Image a: T1,

T2,

T3

T4



Image b:

T6,

T5



Image c:

T7



Image c:

T8

## 10. RECOMMENDATIONS

- 10.1 This report assesses the impact of a proposed development at the site on 8 trees located on or close to the site in accordance with AS4970 Protection of trees on development sites (2009).
- 10.2 For the construction of the development or for trees in poor condition or exempt weed species, it is recommended that **T5, T6 and T7 (total of 3 Trees)** are removed and replaced.
- 10.3 It is recommended that **T1, T2, T3, T4 and T8 (total of 5 trees)** all be retained and protected for the life of the development.
- 10.4 **Tree protection measures are required for all 5 trees to be retained- T1, T2, T3, T4 and T8, with high quality ground protection required for T4 TPZ.**
- 10.5 All construction activity is to comply with Australian Standard AS4970 Protection of Trees on Development Sites (2009), sections 7, 11 and 12 of this report.
- 10.6 This report does not provide approval for tree removal or pruning works. All recommendations in this report are subject to approval by the relevant authorities and/or tree owners. This report should be submitted as supporting evidence with any tree removal/pruning or development application.
- 10.7 All works within the TPZ and SRZ of retained trees are to be overseen by an AQF5 Consulting Arborist to assist with minimising the development impact.
- 10.8 All services plans should be subject to review by a AQF5 Consulting Arborist. Where possible underground services should be located outside the TPZ of trees to be retained. All underground services located inside the TPZ of any tree to be retained must be installed via tree sensitive techniques. This should include either directional drilling methods or manual excavations to minimise the impact to trees identified for retention.

## 11. ARBORICULTURAL WORK METHOD STATEMENT (AMS) AND TREE PROTECTION REQUIREMENTS

- 11.1 **Use of this report:** All contractors must be made aware of the tree protection requirements prior to commencing works at the site and be provided a copy of this report.
- 11.2 **Project Arborist:** Prior to any works commencing at the site a project Arborist should be appointed. The project Arborist should be qualified to a minimum AQF level 5 and/or equivalent qualifications and experience and should assist with any development issues relating to trees that may arise. If at any time it is not feasible to carryout works in accordance with this, an alternative must be agreed in writing with the project Arborist.
- 11.3 **Tree work:** All tree work must be carried out by a qualified and experienced Arborist with a minimum of AQF level 3 in arboriculture, in accordance with NSW Work Cover Code of Practice for the Amenity Tree Industry (1998) and AS4373 Pruning of amenity trees (2007).
- 11.4 **Initial site meeting/on-going regular inspections:** The project Arborist is to hold a pre-construction site meeting with principle contractor to discuss methods and importance of tree protection measures and resolve any issues in relation to tree protection that may arise. In accordance with AS4970-2009, the project Arborist should carryout regular site inspections to ensure works are carried out in accordance with this document throughout the development process. I recommend regular site inspections on a frequency based on the longevity of the project- this is to be agreed in the initial meeting.

### 11.5 Site Specific Tree Protection Recommendations:

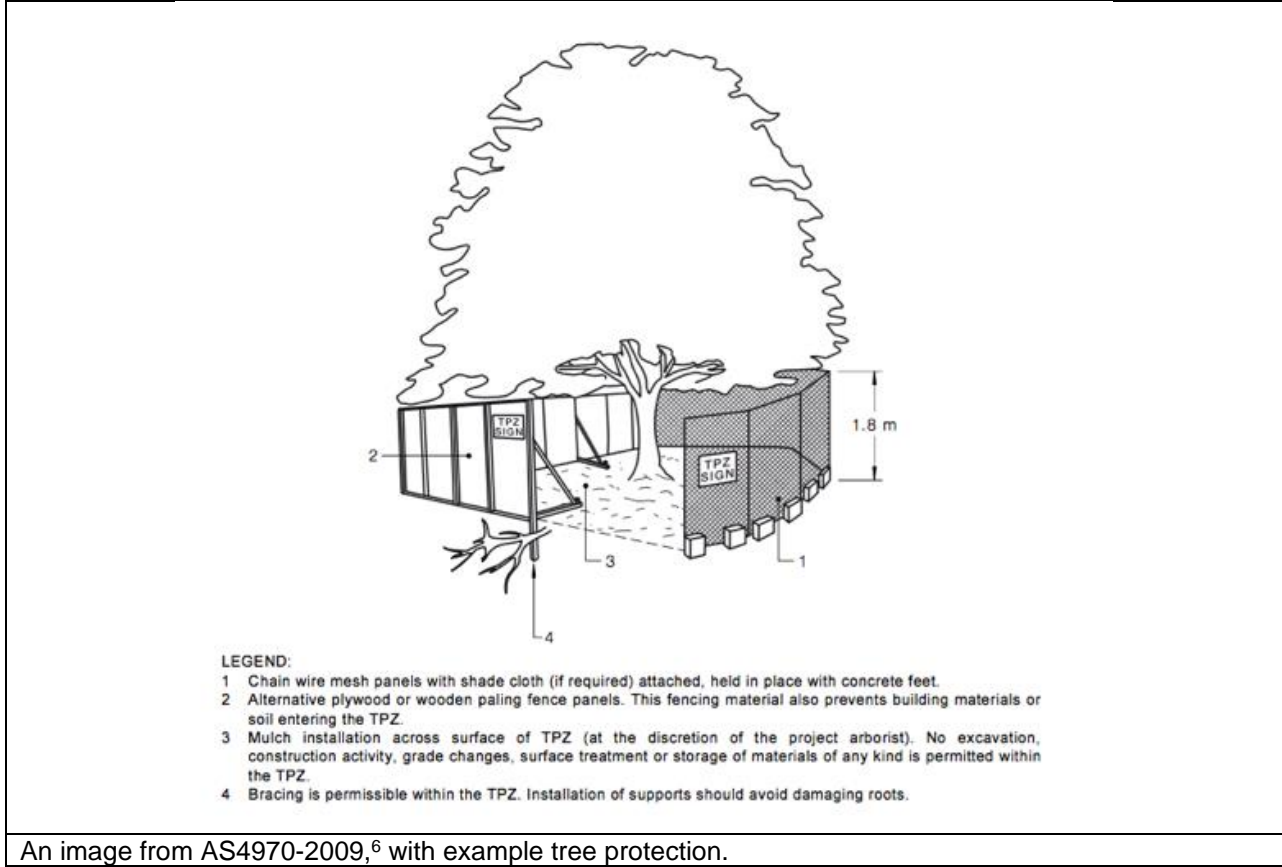
**Table 4:** Individual tree protection requirements, see Appendix 1B for locations and further guidance.

Tree Number	Protection specification
T1, T2, T3, T4 and T8	<ul style="list-style-type: none"> <li>- Retain and protect.</li> <li>- Tree protection fencing plus Ground protection is required as per the Tree Protection Plan.</li> <li>- TPZ signage is required on the fencing.</li> <li>- The fencing can only be moved upon the approval of the project arborist.</li> </ul>

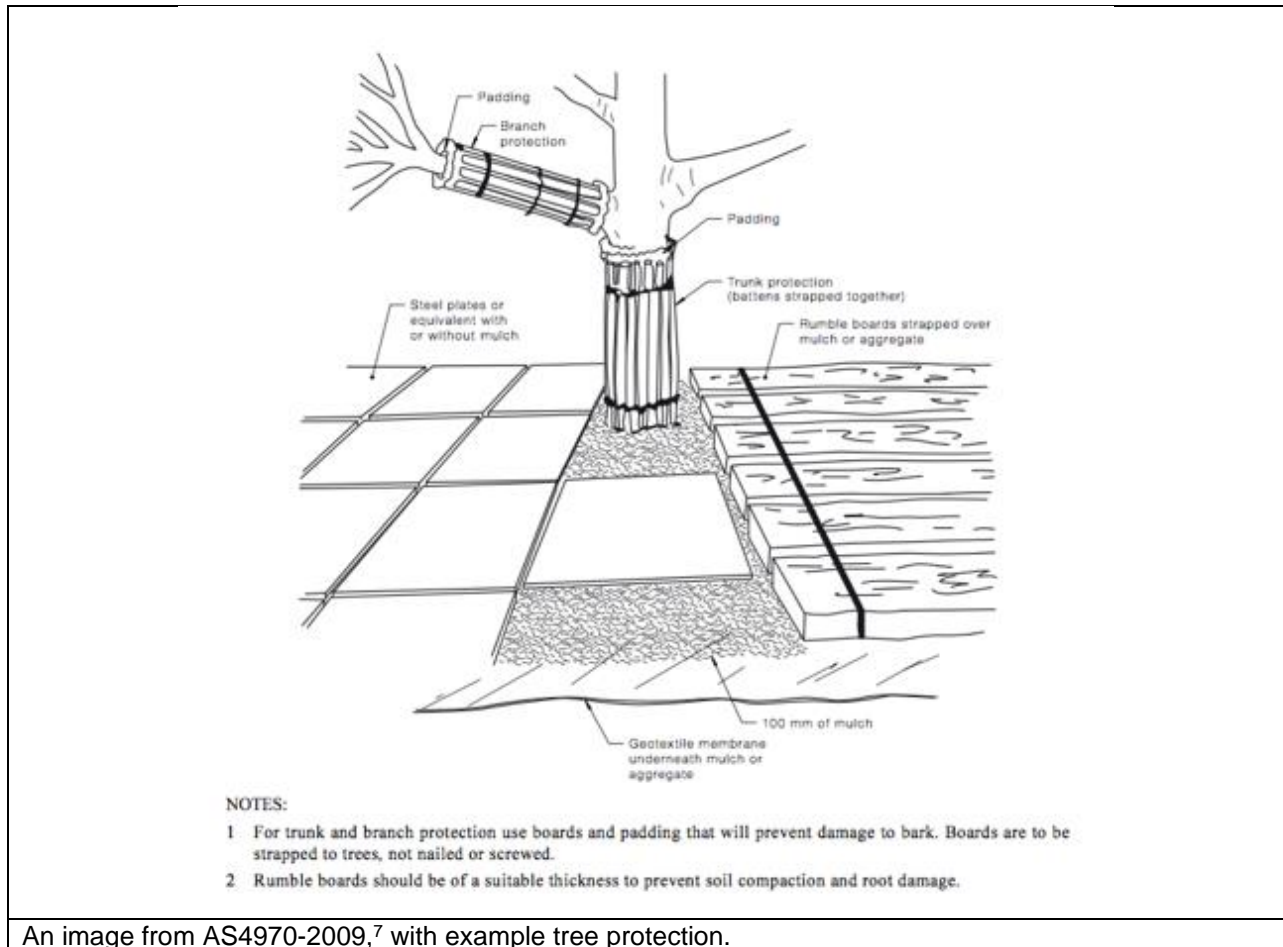
- 11.6 **Tree protection Specifications:** It is the responsibility of the principle contractor to install tree protection prior to works commencing at the site (prior to demolition works) and to ensure that the tree protection remains in adequate condition for the duration of the development. The tree protection must not be moved without prior agreement of the project Arborist. The project Arborist must inspect that the tree protection has been installed in accordance with this document and AS4970-2009 prior to works commencing.

- 11.7 **Protective fencing:** Where it is not feasible to install fencing at the specified location due to factors such as restricting access to areas of the site or for constructing new structures, an alternative location and protection specification must be agreed with the project Arborist. Where the installation of fencing is unfeasible due to restrictions on space, trunk and branch protection will be required (see below). The protective fencing must be constructed of 1.8 metre 'cyclone chainmesh fence'. The fencing must only be removed for the landscaping phase and must be authorised by the project Arborist. Any modifications to the fencing locations must be approved by the project Arborist.
- 11.8 **TPZ signage:** Tree protection signage is to be attached to the protective fencing, displayed in a prominent position and the sign repeated at 10 metres intervals or closer where the fence changes direction. Each sign shall contain in a clearly legible form, the following information:
- Tree protection zone/No access.
  - This fence has been installed to prevent damage to the tree/s and their growing environment both above and below ground. Do not move fencing or enter TPZ without the agreement of the project Arborist.
  - The name, address, and telephone number of the developer/builder and project Arborist
- 11.9 **Trunk and Branch Protection:** The trunk must be protected by wrapped hessian or similar material to limit damage. Timber planks (50mm x 100mm or similar) should then be placed around tree trunk. The timber planks should be spaced at 100mm intervals, and must be fixed against the trunk with tie wire, or strapping and connections finished or covered to protect pedestrians from injury. The hessian and timber planks must not be fixed to the tree in any instance. The trunk and branch protection shall be installed prior to any work commencing on site and shall be maintained in good condition for the entire development period.
- 11.10 **Mulch:** Any areas of the TPZ located inside the subject site (only trees to be retained directly adjacent to site works must be mulched to a depth of 75mm with good quality composted wood chip/leaf mulch.
- 11.11 **Ground Protection:** Ground protection is required to protect the underlying soil structure and root system in areas where it is not practical to restrict access to whole TPZ, while allowing space for construction. Ground protection must consist of good quality composted wood chip/leaf mulch to a depth of between 150-300mm, laid on top of geo textile fabric. If vehicles are to be using the area, additional protection will be required such as rumble boards or track mats to spread the weight of the vehicle and avoid load points. Ground protection is to be specified by the project Arborist as required.





<sup>6</sup> Council of Standards Australia, *AS4970 Protection of trees on development sites* (2009), page 16.



**11.12 Restricted activities inside TPZ:** The following activities must be avoided inside the TPZ of all trees to be retained unless approved by the project Arborist. If at any time these activities cannot be avoided an alternative must be agreed in writing with the project Arborist to minimise the impact to the tree.

- A) Machine excavation.
- B) Ripping or cultivation of soil.
- C) Storage of spoil, soil or any such materials
- D) Preparation of chemicals, including preparation of cement products.
- E) Refueling.
- F) Dumping of waste.
- G) Wash down and cleaning of equipment.
- H) Placement of fill.
- I) Lighting of fires.
- J) Soil level changes.
- K) Any physical damage to the crown, trunk, or root system.
- L) Parking of vehicles.

<sup>7</sup> Council of Standards Australia, *AS4970 Protection of trees on development sites* (2009), page 17.

- 11.13 **Demolition:** The demolition of all existing structures inside or directly adjacent to the TPZ of trees to be retained must be undertaken in consultation with the project Arborist. Any machinery is to work from inside the footprint of the existing structures or outside the TPZ, reaching in to minimise soil disturbance and compaction. If it is not feasible to locate demolition machinery outside the TPZ of trees to be retained, ground protection will be required. The demolition should be undertaken inwards into the footprint of the existing structures, sometimes referred to as the ‘top down, pull back’ method.
- 11.14 **Excavations and root pruning:** The project Arborist must supervise and certify that all excavations and root pruning are in accordance with AS4373-2007 and AS4970-2009. For excavations within the TPZ, manual excavation is required along the edge of the structures closest to the subject trees. Manual excavation should be a depth of 1 metre (or to unfavourable root growth conditions such as bed rock or heavy clay, if agreed by project Arborist). Next roots must be pruned back in accordance with AS4373-2007. After all root pruning is completed, machine excavation is permitted within the footprint of the structure. For tree sensitive footings, such as pier and beam, all excavations inside the TPZ must be manual. Manual excavation may include the use of pneumatic and hydraulic tools, high-pressure air or a combination of high-pressure water and a vacuum device. No pruning of roots greater 30mm in diameter is to be carried out without approval of the project arborist. All pruning of roots greater than 10mm in diameter must be carried out by a qualified Arborist/Horticulturalist with a minimum AQF level 3. Root pruning is to be a clean cut with a sharp tool in accordance with AS4373 Pruning of amenity trees (2007). The tree root is to be pruned back to a branch root if possible. Make a clean cut and leave as small a wound as possible.
- 11.15 **Landscaping:** All landscaping works within the TPZ of trees to be retained are to be undertaken in consultation with a consulting Arborist to minimize the impact to trees. General guidance is provided below to minimise the impact of new landscaping to trees to be retained. The location of new plantings inside the TPZ of trees to be retained should be flexible to avoid unnecessary damage to tree roots greater than 30mm in diameter.
- 11.16 **Sediment and Contamination:** All contamination run off from the development such as but not limited to concrete, sediment and toxic wastes must be prevented from entering the TPZ at all times.
- 11.17 **Tree Wounding/Injury:** Any wounding or injury that occurs to a tree during the construction process will require the project Arborist to be contacted for an assessment of the injury and provide mitigation/remediation advice. It is generally accepted that trees may take many years to decline and eventually die from root damage. All repair work is to be carried out by the project Arborist, at the contractor’s expense.
- 11.18 **Completion of Development Works:** After all construction works are complete the project Arborist should assess that the subject trees have been retained in the same condition and vigour. If changes to condition are identified the project Arborist should provide recommendations for remediation.

## 12. HOLD POINTS

12.1 **Hold Points:** Below is a sequence of hold points requiring project Arborist certification throughout the development process. It provides a list of hold points that must be checked and certified. All certification must be provided in written format upon completion of the development. The final certification must include details of any instructions for remediation undertaken during the development.

Hold Point	Stage	Responsibility	Certification	Complete Y/N and date
Project Arborist to hold pre construction site meeting with principle contractor to discuss methods and importance of tree protection measures and resolve any issues in relation to feasibility of tree protection requirements that may arise.	Prior to work commencing.	Principle contractor	Project Arborist	
Project Arborist to assess and certify that tree protection has been installed in accordance with section 11 and AS4970-2009 prior to works commencing at site.	Prior to development work commencing.	Principle contractor	Project Arborist	
In accordance with AS4970-2009 the project arborist should carryout regular site inspections to ensure works are carried out in accordance with the recommendations. I recommend site inspections on a monthly frequency.	Ongoing throughout the development	Principle contractor	Project Arborist	
Project Arborist to supervise all manual excavations and demolition inside the TPZ of any tree to be retained.	Construction	Principle contractor	Project Arborist	
Project Arborist to certify that all pruning of roots greater than 40mm in diameter has been carried out in accordance with AS4373-2007. All root pruning must be carried out by a qualified Arborist/Horticulturalist with a minimum AQF level 3.	Construction	Principle contractor	Project Arborist	
Project Arborist to certify that all underground services including storm water inside TPZ of any tree to be retained have been installed in accordance with AS4970-2009.	Construction	Principle contractor	Project Arborist	

<p>All landscaping works within the TPZ of trees to be retained are to be undertaken in consultation with the project Arborist to minimize the impact to trees.</p>	<p>Landscape</p>	<p>Principle contractor</p>	<p>Project Arborist</p>	
<p>After all construction works are complete the project Arborist should assess that the subject trees have been retained in the same condition and vigor and authorize the removal of protective fencing. If changes to condition are identified the project Arborist should provide recommendations for remediation.</p>	<p>Upon completion of construction</p>	<p>Principle contractor</p>	<p>Project Arborist</p>	
<p>Any wounding or injury that occurs to a tree during the demolition/construction process will require the project arborist to be contacted for an assessment of the injury and provide mitigation/remediation advice. All remediation work is to be carried out by the project arborist, at the contractor's expense.</p>	<p>Ongoing throughout the development</p>	<p>Principle contractor</p>	<p>Project Arborist</p>	

### 13. BIBLIOGRAPHY/REFERENCES

- Council of Standards Australia, *AS4970 Protection of trees on development sites* (2009).
- Council of Standards Australia, *AS4373 Pruning of amenity trees* (2007).
- Mattheck, C. & Breloer, H., *The body language of trees - A handbook for failure analysis*, The Stationary Office, London, England (1994).
- Barrell Tree Consultancy, *SULE: Its use and status into the New Millennium*, TreeAZ/03/2001, <http://www.treeaz.com/>.
- Barrell Tree Consultancy, *Tree AZ version 10.10-ANZ*, <http://www.treeaz.com/>. Property.
- State Environmental Planning Policy (Vegetation in Non-Rural Areas 2017).

### 14. LIST OF APPENDICES

The following are included in the appendices:

- Appendix 1 - Tree Location/ Site Plan
- Appendix 1A – Proposed Site Plan and Tree Protection Plan
- Appendix 2 - Tree inspection schedule
- Appendix 3 - Health
- Appendix 4 – Tree Protection Zone
- Appendix 5 – Structural Root Zone
- Appendix 6 – Amenity Value
- Appendix 7 – Age Class
- Appendix 8 – Structural Condition
- Appendix 9 – SULE Categories
- Appendix 10 – Trees AZ

# APPENDIX 1 – TREE LOCATION/ EXISTING SITE PLAN

## Tree Location Plan

(Seasoned Tree Consulting 10/06/2022)

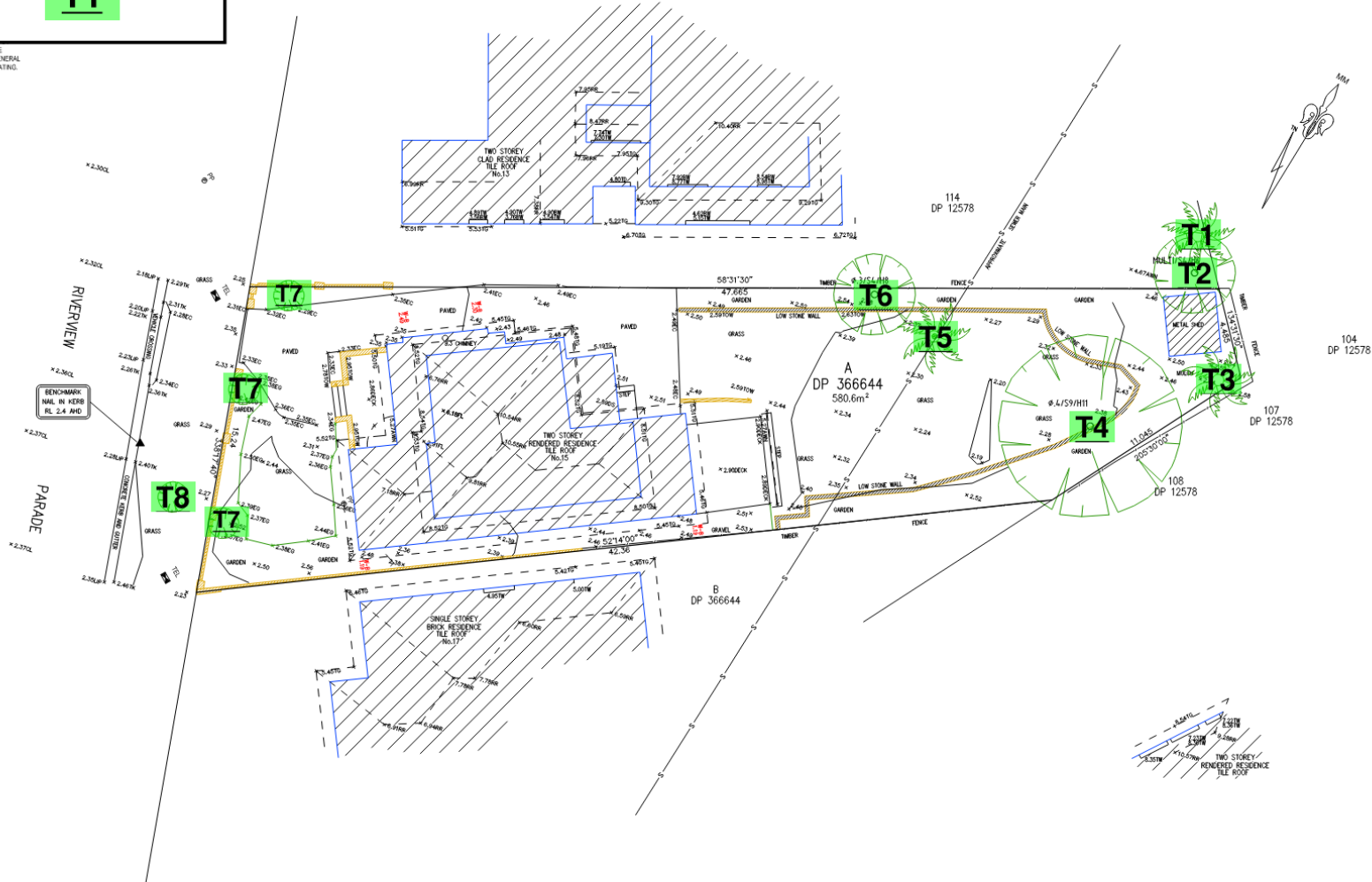
### Legend

Tree Number

**T1**

LEVELS ARE TRUE FOR THEIR POSITION, AND ARE INTENDED TO BE USEFUL TO REPRESENT THE GENERAL TERNARY CARE SHOULD BE TAKEN IF EXTRAPOLATING.

D30821 COVENANT



### LEGEND

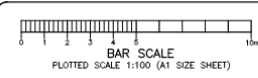
BENCHMARK	▲
TELSTRA PIT	■
ELECTRIC LIGHT POLE	⊕
POWER POLE	⊙
SIGN POST	⊗
SEWER INSPECTION PIT	⊕
SEWER VENT	⊙
MANHOLE	⊙
SEWER MANHOLE	⊙
STOP VALVE	⊕
WATER HYDRANT	⊕
WATER METER	⊕
GAS METER	⊕
STATE SURVEY MARK	⊕

NOTE: INFORMATION CONTAINED IN THIS PLAN IS THE COPYRIGHT OF TOTAL SURVEYING SOLUTIONS. THE USE OR DUPLICATION WITHOUT THE WRITTEN CONSENT OF TOTAL SURVEYING SOLUTIONS CONSTITUTES AN INFRINGEMENT OF COPYRIGHT.

REVISION No.	REVISION DATE:	COMMENT:

LEGEND:  
 EB- EDGE OF BITUMEN  
 EC- EDGE OF CONCRETE  
 TB- TOP OF BANK  
 RB- BOTTOM OF BANK  
 TW- TOP OF WINDOW  
 BW- BOTTOM OF WINDOW

TG- TOP OF GUTTER  
 RR- ROOF RIDGE  
 FL- FLOOR LEVEL  
 INV- INVERT LEVEL  
 ELEC- ELECTRICAL PIT  
 Ø 415/1015- DIAMETER/SPREADHEIGHT



PLAN SHOWING DETAIL & LEVELS  
 OVER LOT A IN DP 366644

CLIENT: KEN HOETMER  
 PROJECT: NORTH MANLY  
 ADDRESS: 15 RIVERVIEW PARADE, NORTH MANLY

JOB No.: 201738  
 PLAN No.: 201738-1  
 DATE: 08/10/20  
 DRAWN: FS  
 CHK: JH  
 LGA-NORTHERN BEACHES  
 DATUM: AHD  
 SCALE: 1:100@A1  
 CONT. INTERVAL: 0.2m  
 SHEET: 1 OF 1

Timothy A. J. Michael  
 Registered Surveyor  
 Nº 9114





## APPENDIX 2- TREE INSPECTION SCHEDULE

Tree Inspection Site: 15 Riverview Parade, North Manly Surveyed by: David Gowenlock Date of Inspection: 09/06/2022 Tagged: No

Tree ID	Tree Species	DBH (CM)	TPZ radius (M)	TPZ Area (Sq.M)	DAB (CM)	SRZ radius (M)	Height (M)	Spread (M)	Age Class	Health	Structure	Amenity value	SULE (yrs.)	TreeAZ retention Value	Comments
1	<i>Phoenix canariensis</i> , Canary Island date palm	40	4.8	72.4	-	-	8	7	Mature	Good	Good	High	>40	A3	The palm is a Heritage listed Tree (item 1115) listed in Schedule 5 of Warringah Local Environmental Plan 2011 Located adjoining northerly neighbours yard
2	<i>Morus sp.</i> , Mulberry	30	3.6	40.7	35	2.1	6	7	Senescent	Fair	Fair	Low	5 > 15	Z3	Located adjoining northly neighbours yard
3	<i>Archontophoenix cunninghamiana</i> , Bangalow Palm	20	2.4	18.1	-	-	5	2.5	Semi-mature	Good	Good	Low	>40	Z3	
4	<i>Jacaranda mimosifolia</i> , Jacaranda	38	4.56	65.3	42	2.3	8	10	Mature	Good	Good	High	>40	A1	Minor deadwood
5	<i>Syagrus romanzoffiana</i> , Cocos palm				-	-			Mature	Good	Good	Medium	5 > 15	Z3	Weed palm, recommend removal due to species and on-going maintenance cost
6	<i>Brachychiton acerifolius</i> , Illawarra flame tree	32	3.84	46.3	38	2.2	9	3	Mature	Good	Poor / fair	Medium	5 > 15	Z3	Poor condition, possums browsed
7	3 x <i>Syagrus romanzoffiana</i> , Cocos palm				-	-			Mature	Good	Good	Medium	5 > 15	Z3	Weed palm, recommend removal due to species and on-going maintenance cost
8	<i>Tristaniopsis laurina</i> "Luscious", Water gum	10	2	12.5	-	-	2	1	Semi-mature	Good	Good	Low	>40	A1	Street tree, juvenile

### Explanatory Notes

**Tree Species** - Botanical name followed by common name in brackets. Where species is unknown it is indicated with an 'spp'.

**Diameter at Breast Height (DBH)** - Measured with a DBH tape or estimated at approximately 1.4m above ground level. If trees are inaccessible due to dense bush or being located in private property they are generally estimated.

**Tree Protection Zone (TPZ)** - DBH x 12. Measured in radius from the center of the trunk. Rounded to nearest 0.1m. For monocots, the TPZ is set at 1 meter outside the crown projection.

**TPZ Area (Sq.M)** - The area of the TPZ calculated in square metres.

**Diameter Above root Buttresses (DAB)**: Measured with a DBH tape or estimated above root buttresses (DAB) for calculating the SRZ.

**Structural Root Zone (SRZ)** -  $(DAB \times 50)^{0.42} \times 0.64$ . Measured in radius from the center of the trunk. Rounded up to nearest 0.1m.

**Height** - Height from ground level to top of crown. All heights are estimated unless otherwise indicated.

**Spread** - Radius of crown at widest section. All tree spreads are estimated unless otherwise indicated.

**Age Class** - Over mature (OM), Mature (M), Early mature (EM), Semi mature (SM), Young (Y), Dead (D).

**Health** - Good/Fair/Poor/Dead

**Structure** - Good/Fair/Poor

**Amenity Value** - Very High/High/Medium/Low/Very Low.

**Safe Useful Life Expectancy (SULE)** - 1. Long (40+years), 2. Medium (15 - 40 years), 3. Short (5 - 15 years), 4. Remove (under 5 years), 5. Small/young.

**TreeAZ retention Value**- See Appendix 10

### Appendix 3 – Condition/Overall health

<u>Category</u>	<u>Example condition</u>	<u>Summary</u>
Good	<ul style="list-style-type: none"> <li>• Crown has good foliage density for species.</li> <li>• Tree shows no or minimal signs of pathogens that are unlikely to have an effect on the health of the tree.</li> <li>• Tree is displaying good vigour and reactive growth development.</li> <li>• Branch unions appear to be strong with no sign of defects.</li> <li>• There are no significant cavities.</li> <li>• The tree is unlikely to fail in usual conditions.</li> <li>• The tree has a balanced crown shape and form.</li> </ul>	<ul style="list-style-type: none"> <li>• The tree is in above average health and condition and no remedial works are required.</li> <li>• The tree is considered structurally good with well developed form.</li> </ul>
Fair	<ul style="list-style-type: none"> <li>• The tree may be starting to dieback or have over 25% deadwood.</li> <li>• Tree may have slightly reduced crown density or thinning.</li> <li>• There may be some discolouration of foliage.</li> <li>• Average reactive growth development.</li> <li>• There may be early signs of pathogens which may further deteriorate the health of the tree.</li> <li>• There may be epicormic growth indicating increased levels of stress within the tree.</li> <li>• The tree may have minor structural defects within the structure of the crown that could potentially develop into more significant defects.</li> <li>• The tree may a cavity that is currently unlikely to fail but may deteriorate in the future.</li> <li>• The tree is an unbalanced shape or leans significantly.</li> <li>• The tree may have minor damage to its roots.</li> <li>• The root plate may have moved in the past but the tree has now compensated for this.</li> <li>• Branches may be rubbing or crossing.</li> </ul>	<ul style="list-style-type: none"> <li>• The tree is in below average health and condition and may require remedial works to improve the trees health.</li> <li>• The identified defects are unlikely cause major failure.</li> <li>• Some branch failure may occur in usual conditions.</li> <li>• Remedial works can be undertaken to alleviate potential defects.</li> </ul>
Poor	<ul style="list-style-type: none"> <li>• The may be in decline, have extensive dieback or have over 30% deadwood.</li> <li>• The canopy may be sparse or the leaves may be unusually small for species.</li> <li>• Pathogens or pests are having a significant detrimental effect on the tree health.</li> <li>• The tree has significant structural defects.</li> <li>• Branch unions may be poor or weak.</li> <li>• The tree may have a cavity or cavities with excessive levels of decay that could cause catastrophic failure.</li> <li>• The tree may have root damage or is displaying signs of recent movement.</li> <li>• The tree crown may have poor weight distribution which could cause failure.</li> </ul>	<ul style="list-style-type: none"> <li>• The tree is displaying low levels of health and removal or remedial works may be required.</li> <li>• The identified defects are likely to cause either partial or whole failure of the tree.</li> </ul>
Dangerous	<ul style="list-style-type: none"> <li>• The tree is dead or almost dead.</li> <li>• The tree is an imminent danger to people or property.</li> </ul>	<ul style="list-style-type: none"> <li>• The tree should generally be removed.</li> </ul>

## **Appendix 4 - Tree Protection Zone (TPZ)**

The tree protection zone (TPZ) is the principle means of protecting trees on development sites. The TPZ is a combination of the root area and crown area requiring protection. It is an area isolated from construction disturbance, so that the tree remains viable. The TPZ incorporates the structural root zone (SRZ).

### **Determining the TPZ**

The radius of the TPZ is calculated for each tree by multiplying its DBH  $\times$  12.

$$\text{TPZ} = \text{DBH} \times 12$$

Where

DBH = trunk diameter measured at 1.4 m above ground

Radius is measured from the centre of the stem at ground level.

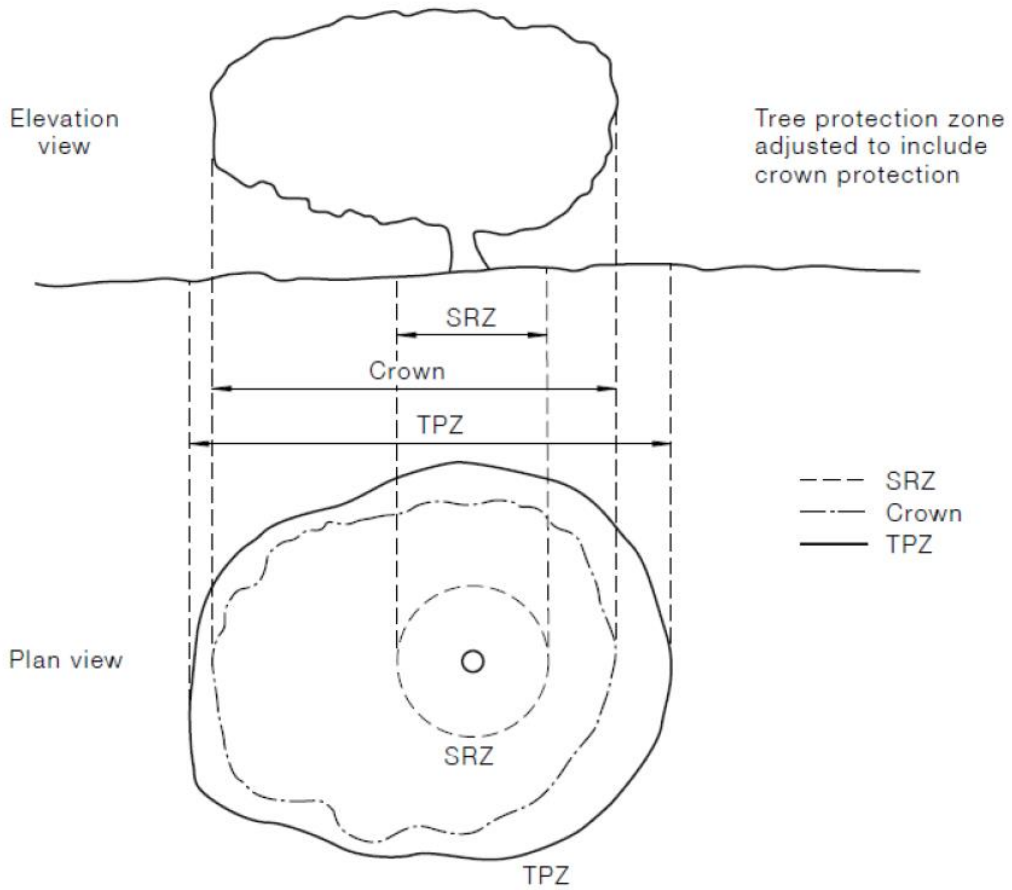
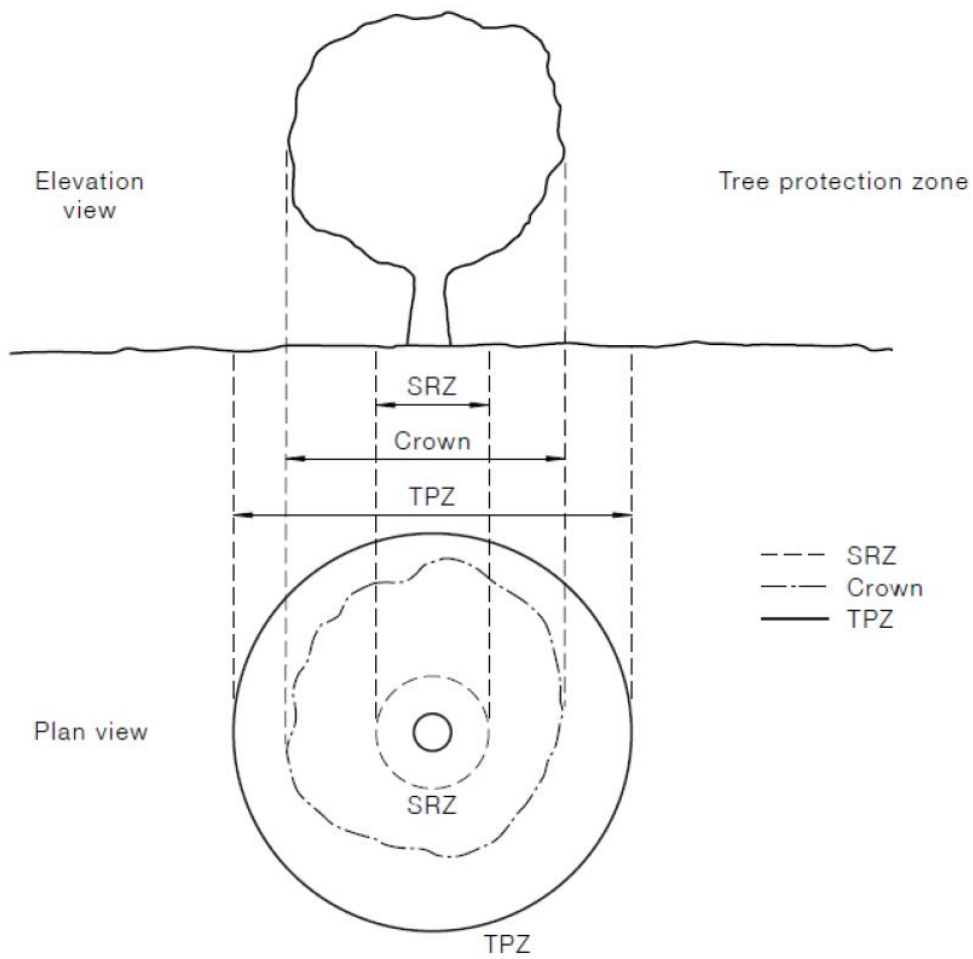
A TPZ should not be less than 2 m nor greater than 15 m (except where crown protection is required).

### **Minor encroachment into the TPZ**

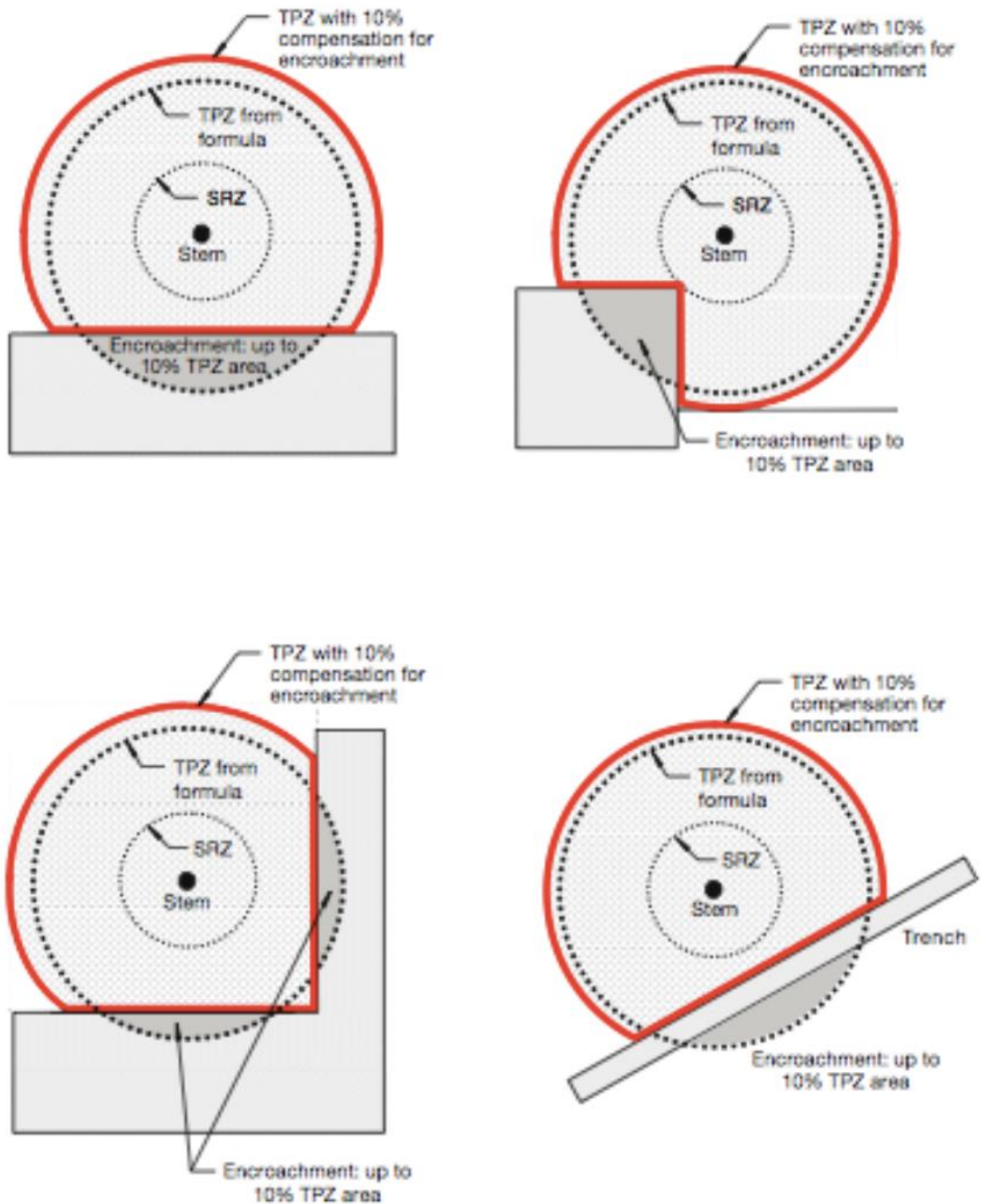
Where encroachment into the TPZ is unavoidable it is generally accepted that encroachment of under 10% of the total TPZ is possible without carrying out detailed root investigations. This minor loss of root area is normally compensated by the roots developing elsewhere.

### **Major encroachment into the TPZ**

If an encroachment of more than 10% is proposed into the TPZ it would be necessary to demonstrate that the tree would remain viable. None destructive root investigations may be required to determine any potential impact the encroachment may have on the tree.



Encroachment into the tree protection zone (TPZ) is sometimes unavoidable. Figure D1 provides examples of TPZ encroachment by area, to assist in reducing the impact of such incursions.



NOTE: Less than 10% TPZ area and outside SRZ. Any loss of TPZ compensated for elsewhere.

## **Appendix 5 - Structural root zone (SRZ)**

This is the area around the base of a tree required for the trees stability in the ground. An area larger than the SRZ always need to be maintained to preserve a viable tree as it will only have a minor effect on the trees vigour and health. There are several factors that determine the SRZ which include height, crown area, soil type and soil moisture. It can also be influenced by other factors such as natural or built structures. Generally work within the SRZ should be avoided.

### **Determining the SRZ**

An indicative SRZ radius can be determined from the diameter of the trunk measured immediately above the root buttresses. Root investigation could provide more information about the extent of the SRZ. The following formula should be used to calculate the SRZ.

$$\text{SRZ radius} = (D \times 50)^{0.42} \times 0.64$$

where

D = trunk diameter in m, measured above the root buttress.

Note - The SRZ for trees with trunk diameters less than 0.15 will be 1.5m.

## **Appendix 6 - Amenity value**

To determine the amenity value of a tree we assess a number of different factors which include but are not limited to the information below.

- The visibility of the tree to adjacent sites.
- The relationship between the tree and the site.
- Whether the tree is protected by any statutory conditions.
- The habitat value of the tree.
- Whether the tree is considered a noxious weed species.

## Appendix 7 - Age class

If can be difficult to determine the age of a tree without carrying out invasive tests that may damage the tree, so we have categorised there likely age class which is defined below.

<u>Category</u>	<u>Description</u>
Young/Newly planted	<ul style="list-style-type: none"><li>• Young or recently planted tree.</li></ul>
Semi Mature	<ul style="list-style-type: none"><li>• Up to 20% of the usual life expectancy for the species.</li></ul>
Early mature/Mature	<ul style="list-style-type: none"><li>• Between 20% - 80% of the usual life expectancy for the species.</li></ul>
Over mature	<ul style="list-style-type: none"><li>• Over 80% of the usual life expectancy for the species.</li></ul>
Dead	<ul style="list-style-type: none"><li>• Tree is dead or almost dead.</li></ul>

## Appendix 8 - Structural condition

<u>Category</u>	<u>Example condition</u>	<u>Summary</u>
Good	<ul style="list-style-type: none"> <li>• Branch unions appear to be strong with no sign of defects.</li> <li>• There are no significant cavities.</li> <li>• The tree is unlikely to fail in usual conditions.</li> <li>• The tree has a balanced crown shape and form.</li> </ul>	<ul style="list-style-type: none"> <li>• The tree is considered structurally good with well developed form.</li> </ul>
Fair	<ul style="list-style-type: none"> <li>• The tree may have minor structural defects within the structure of the crown that could potentially develop into more significant defects.</li> <li>• The tree may have a cavity that is currently unlikely to fail but may deteriorate in the future.</li> <li>• The tree is an unbalanced shape or leans significantly.</li> <li>• The tree may have minor damage to its roots.</li> <li>• The root plate may have moved in the past but the tree has now compensated for this.</li> <li>• Branches may be rubbing or crossing.</li> </ul>	<ul style="list-style-type: none"> <li>• The identified defects are unlikely cause major failure.</li> <li>• Some branch failure may occur in usual conditions.</li> <li>• Remedial works can be undertaken to alleviate potential defects.</li> </ul>
Poor	<ul style="list-style-type: none"> <li>• The tree has significant structural defects.</li> <li>• Branch unions may be poor or weak.</li> <li>• The tree may have a cavity or cavities with excessive levels of decay that could cause catastrophic failure.</li> <li>• The tree may have root damage or is displaying signs of recent movement.</li> <li>• The tree crown may have poor weight distribution which could cause failure.</li> </ul>	<ul style="list-style-type: none"> <li>• The identified defects are likely to cause either partial or whole failure of the tree.</li> </ul>



### Appendix 9 - Safe Useful Life Expectancy (SULE), (Barrel, 2001)

A trees safe useful life expectancy is determined by assessing a number of different factors including the health and vitality, estimated age in relation to expected life expectancy for the species, structural defects, and remedial works that could allow retention in the existing situation.

Category	Description
1. Long - Over 40 years	(a) Structurally sound trees located in positions that can accommodate future growth. (b) Trees that could be made suitable for retention in the long term by remedial tree care. (c) Trees of special significance for historical, commemorative or rarity reasons that would warrant extraordinary efforts to secure their long term retention.
2. Medium - 15 to 40 years	(a) Trees that may only live between 15 and 40 more years. (b) Trees that could live for more than 40 years but may be removed for safety or nuisance reasons. (c) Trees that could live for more than 40 years but may be removed to prevent interference with more suitable individuals or to provide space for new planting. (d) Trees that could be made suitable for retention in the medium term by remedial tree care.
3. Short - 5 to 15 years	(a) Trees that may only live between 5 and 15 more years. (b) Trees that could live for more than 15 years but may be removed for safety or nuisance reasons. (c) Trees that could live for more than 15 years but may be removed to prevent interference with more suitable individuals or to provide space for new planting. (d) Trees that require substantial remedial tree care and are only suitable for retention in the short term.
4. Remove - Under 5 years	(a) Dead, dying, suppressed or declining trees because of disease or inhospitable conditions. (b) Dangerous trees because of instability or recent loss of adjacent trees. (c) Dangerous trees because of structural defects including cavities, decay, included bark, wounds or poor form. (d) Damaged trees that are clearly not safe to retain. (e) Trees that could live for more than 5 years but may be removed to prevent interference with more suitable individuals or to provide space for new planting. (f) Trees that are damaging or may cause damage to existing structures within 5 years. (g) Trees that will become dangerous after removal of other trees for the reasons given in (a) to (f). (h) Trees in categories (a) to (g) that have a high wildlife habitat value and, with appropriate treatment, could be retained subject to regular review.
5. Small/Young	(a) Small trees less than 5m in height. (b) Young trees less than 15 years old but over 5m in height. (c) Formal hedges and trees intended for regular pruning to artificially control growth.

## Appendix 10- TreeAZ Categories

### TreeAZ Categories (Version 10.04-ANZ)

**CAUTION:** TreeAZ assessments must be carried out by a competent person qualified and experienced in arboriculture. The following category descriptions are designed to be a brief field reference and are not intended to be self-explanatory. They must be read in conjunction with the most current explanations published at [www.TreeAZ.com](http://www.TreeAZ.com).

#### Category Z: Unimportant trees not worthy of being a material constraint

**Local policy exemptions:** Trees that are unsuitable for legal protection for local policy reasons including size, proximity and species

<b>Z1</b>	Young or insignificant small trees, i.e. below the local size threshold for legal protection, etc
<b>Z2</b>	Too close to a building, i.e. exempt from legal protection because of proximity, etc
<b>Z3</b>	Species that cannot be protected for other reasons, i.e. scheduled noxious weeds, out of character in a setting of acknowledged importance, etc

**High risk of death or failure:** Trees that are likely to be removed within 10 years because of acute health issues or severe structural failure

<b>Z4</b>	Dead, dying, diseased or declining
<b>Z5</b>	Severe damage and/or structural defects where a high risk of failure <u>cannot</u> be satisfactorily reduced by reasonable remedial care, i.e. cavities, decay, included bark, wounds, excessive imbalance, overgrown and vulnerable to adverse weather conditions, etc
<b>Z6</b>	Instability, i.e. poor anchorage, increased exposure, etc

**Excessive nuisance:** Trees that are likely to be removed within 10 years because of unacceptable impact on people

<b>Z7</b>	Excessive, severe and intolerable inconvenience to the extent that a locally recognized court or tribunal would be likely to authorize removal, i.e. dominance, debris, interference, etc
<b>Z8</b>	Excessive, severe and intolerable damage to property to the extent that a locally recognized court or tribunal would be likely to authorize removal, i.e. severe structural damage to surfacing and buildings, etc

**Good management:** Trees that are likely to be removed within 10 years through responsible management of the tree population

<b>Z9</b>	Severe damage and/or structural defects where a high risk of failure can be <u>temporarily</u> reduced by reasonable remedial care, i.e. cavities, decay, included bark, wounds, excessive imbalance, vulnerable to adverse weather conditions, etc
<b>Z10</b>	Poor condition or location with a low potential for recovery or improvement, i.e. dominated by adjacent trees or buildings, poor architectural framework, etc
<b>Z11</b>	Removal would benefit better adjacent trees, i.e. relieve physical interference, suppression, etc
<b>Z12</b>	Unacceptably expensive to retain, i.e. severe defects requiring excessive levels of maintenance, etc

**NOTE:** Z trees with a high risk of death/failure (Z4, Z5 & Z6) or causing severe inconvenience (Z7 & Z8) at the time of assessment and need an urgent risk assessment can be designated as ZZ. ZZ trees are likely to be unsuitable for retention and at the bottom of the categorization hierarchy. In contrast, although Z trees are not worthy of influencing new designs, urgent removal is not essential and they could be retained in the short term, if appropriate.

#### Category A: Important trees suitable for retention for more than 10 years and worthy of being a material constraint

<b>A1</b>	No significant defects and could be retained with minimal remedial care
<b>A2</b>	Minor defects that could be addressed by remedial care and/or work to adjacent trees
<b>A3</b>	Special significance for historical, cultural, commemorative or rarity reasons that would warrant extraordinary efforts to retain for more than 10 years
<b>A4</b>	Trees that may be worthy of legal protection for ecological reasons (Advisory requiring specialist assessment)

**NOTE:** Category A1 trees that are already large and exceptional, or have the potential to become so with minimal maintenance, can be designated as AA at the discretion of the assessor. Although all A and AA trees are sufficiently important to be material constraints, AA trees are at the top of the categorization hierarchy and should be given the most weight in any selection process.