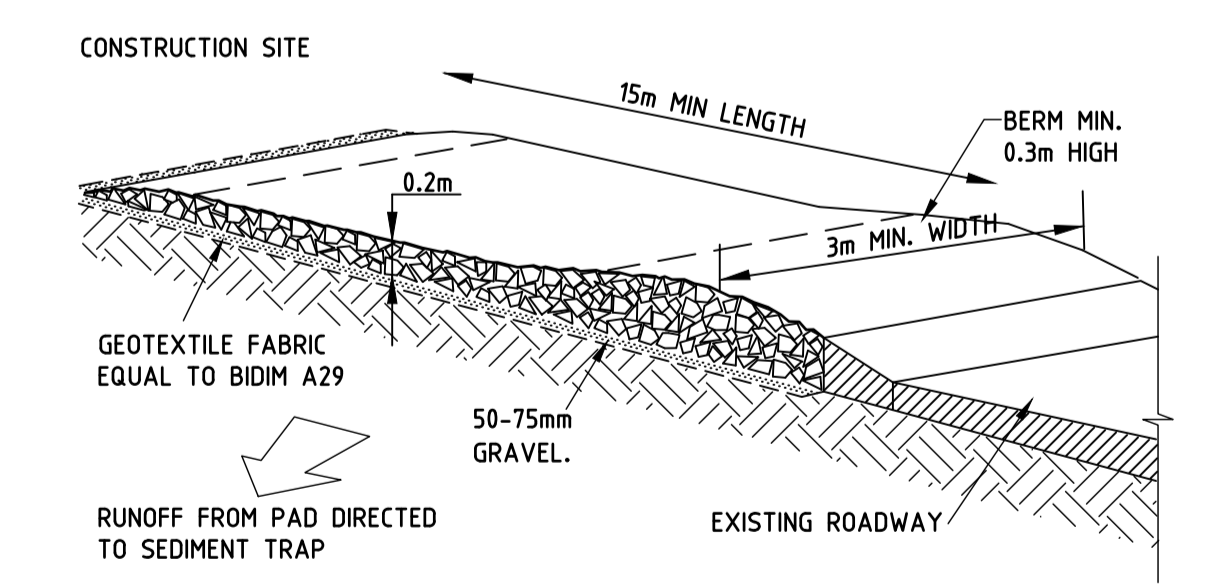
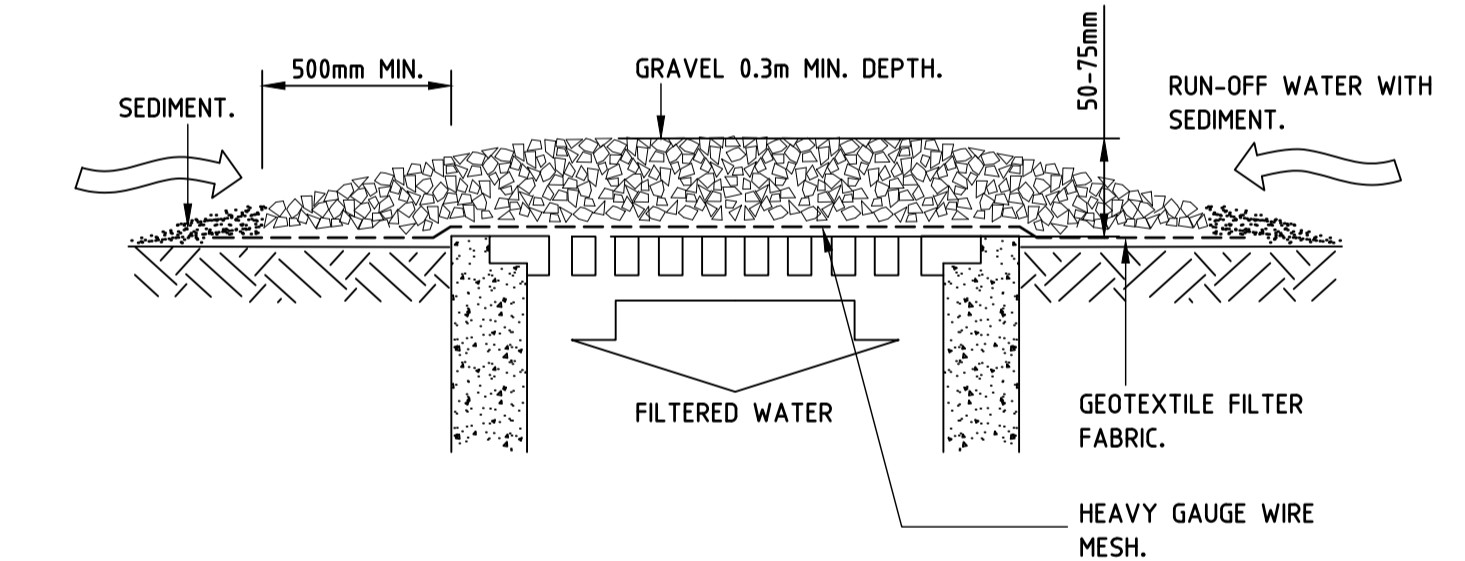
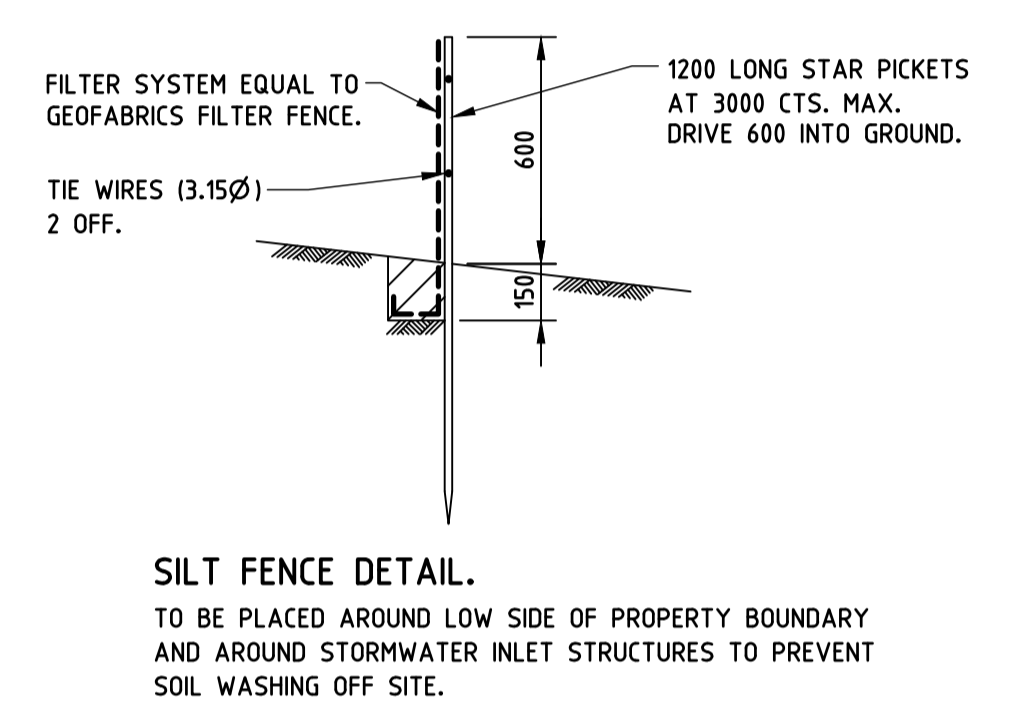


LEGEND

- SILT FENCE / SILT TRAP
- BOUNDARY
- TEMPORARY SITE ENTRY/EXIT
- NEW GRATED PIT
- NEW COVER PIT
- EXISTING PIT

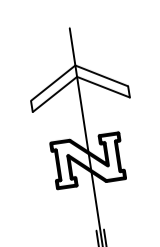
NOTE: PROVIDE SILT TRAPS AROUND ALL GRATED DRAINAGE PITS WITHIN AREA OF WORKS.



EROSION AND SEDIMENT CONTROL DETAILS

<p>938144</p> <p>WINDOW HEAD 11.52 SILL 10.29 GUTTER 12.08</p> <p>ONE & TWO STOREY CARPORT TILE ROOF No. 10</p> <p>GFL WIN H. 10.24 S. 8.94 FFL WIN H. 13.24 S. 11.94</p>	<p>938144</p> <p>WINDOW HEAD 13.10 SILL 11.67</p> <p>ONE & TWO STOREY RENDERED APARTMENTS TILE & METAL ROOF No. 10</p> <p>GFL WIN H. 10.24 S. 8.94 FFL WIN H. 13.24 S. 11.94</p>	<p>938144</p> <p>WINDOW HEAD 11.52 SILL 10.29 GUTTER 12.08</p> <p>ONE & TWO STOREY BRICK APARTMENTS TILE & METAL ROOF No. 8</p> <p>GFL WIN H. 8.96 S. 7.76 FFL WIN H. 11.90 S. 10.70</p>	<p>938144</p> <p>WINDOW HEAD 11.52 SILL 10.29 GUTTER 12.08</p> <p>ONE & TWO STOREY BRICK APARTMENTS TILE & METAL ROOF No. 8</p> <p>GFL WIN H. 8.96 S. 7.76 FFL WIN H. 11.90 S. 10.70</p>
---	--	--	--

No.	Date	Description	Ver.	Appr.
A	23.10.20	ISSUED FOR DA	JG	JC



Client
 HCAP GROUP
 PO BOX H-340
 AUSTRALIA SQUARE



PROPOSED MIXED-USE DEVELOPMENT
 1 ALEXANDER ST / 4 COLLARROY ST
 COLLARROY NSW

EROSION AND SEDIMENT CONTROL PLAN & DETAILS

Date	OCTOBER 2020	Approved	JC	Verified	JG	Prepared	SC
Scale	@ A1	1:200	23.10.20	23.10.20	23.10.20	22.10.20	
Job number	20-217	Drawing number	ES01	Amendment	A		