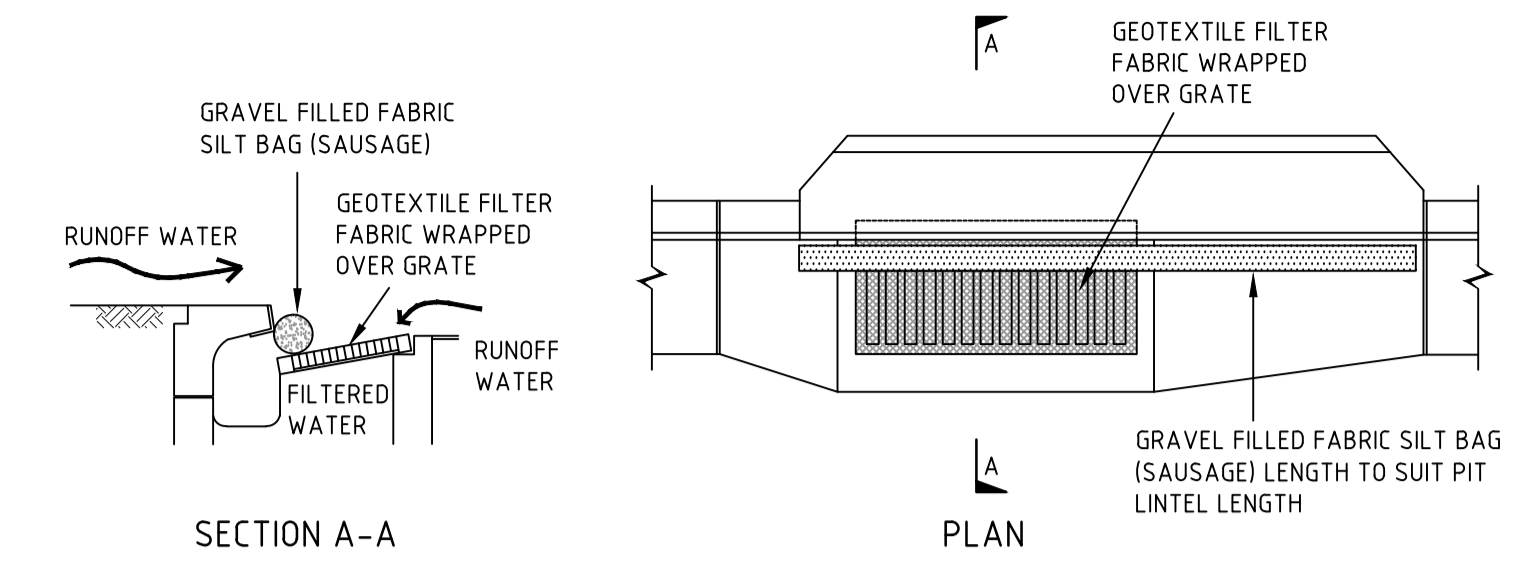
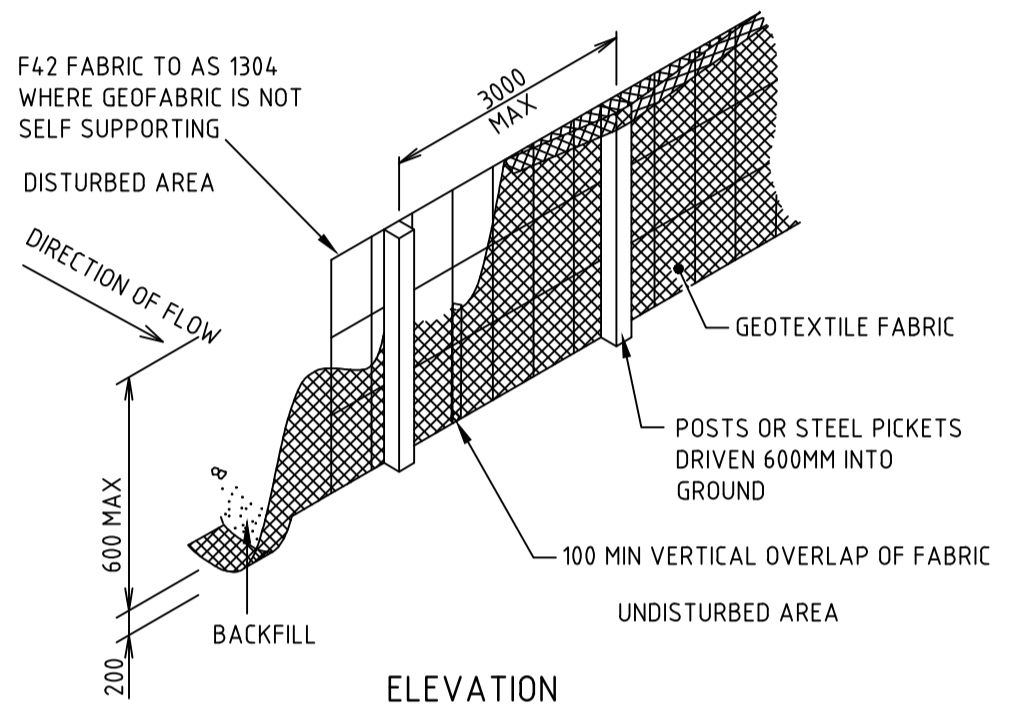


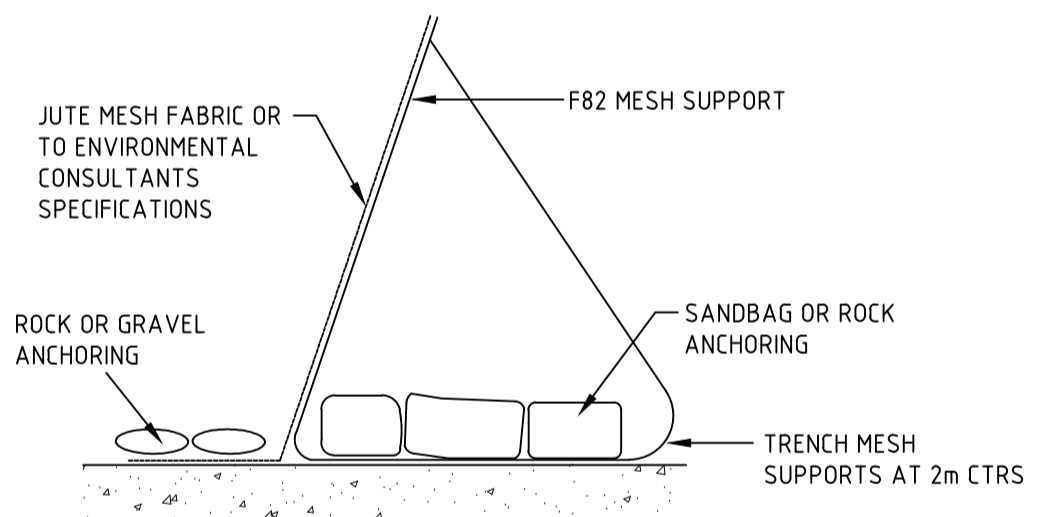
**TEMPORARY CONSTRUCTION VEHICLE ENTRY/EXIT SEDIMENT TRAP**  
NOT TO SCALE



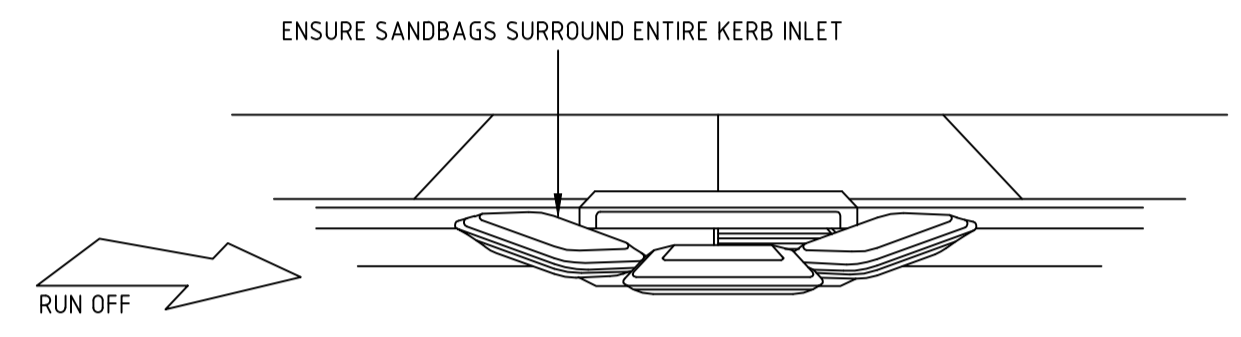
**KERB INLET SEDIMENT TRAP**  
NOT TO SCALE



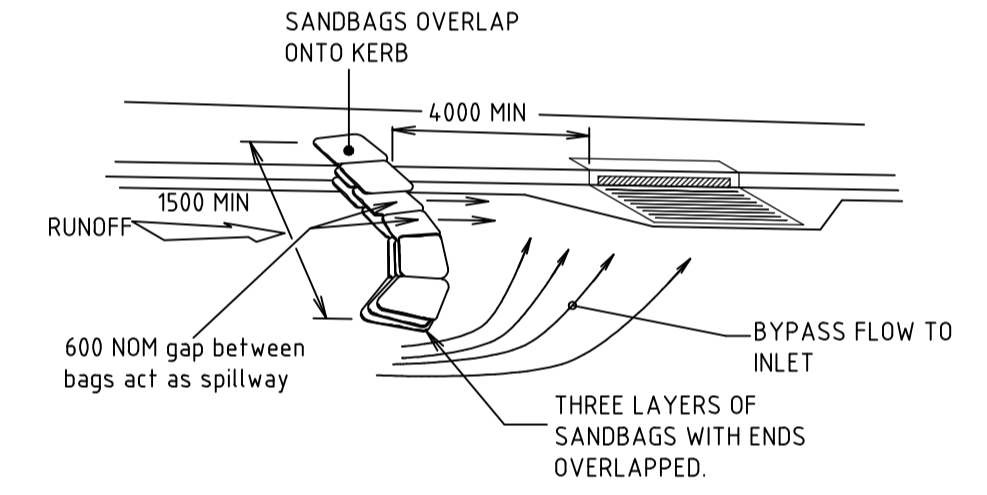
**SEDIMENT FENCE**  
NOT TO SCALE



**ALTERNATIVE SEDIMENT FENCE**  
NOT TO SCALE



**SANDBAG KERB INLET SEDIMENT TRAP**  
NOT TO SCALE



**ON GRADE KERB INLET SEDIMENT TRAP**  
NOT TO SCALE

**ALTERNATIVE SEDIMENT FENCE NOTES**

1. INSTALL THIS TYPE OF SEDIMENT FENCE WHEN USE OF SUPPORT POSTS IS NOT DESIRABLE OR NOT POSSIBLE. SUCH CONDITIONS MIGHT APPLY, FOR EXAMPLE, WHERE APPROVAL IS GRANTED FROM THE APPROPRIATE AUTHORITIES TO PLACE THESE FENCES IN HIGHLY SENSITIVE ESTUARINE AREAS.
2. USE BENT TRENCH MESH TO SUPPORT THE F82 WELDED MESH FACING AS SHOWN ON THE DRAWING ABOVE. ATTACH THE JUTE MESH TO THE WELDED MESH FACING USING UV-RESISTANT CABLE TIES. STABILISE THE WHOLE STRUCTURE WITH SANDBAG OR ROCK ANCHORING OVER THE TRENCH MESH AND THE LEADING EDGE OF THE JUTE MESH. THE ANCHORING SHOULD BE SUFFICIENTLY LARGE TO ENSURE STABILITY OF THE STRUCTURE IN THE DESIGN STORM EVENT, USUALLY THE 10 YEAR EVENT.

File: G:\Job\2021791\011\_Civil\Issued\DWG\202179101C-C007-CAD\PI1.dwg Printed: 22/08/17 at 8:20 AM By: Jacky Hu

COPYRIGHT		All rights reserved.	
These drawings, plans and specifications and the copyright therein are the property of the Bonacci Group and must not be used, reproduced or copied wholly or in part without the written permission of the Bonacci Group.			
Rev	Description	Date	By
P1	DEVELOPMENT APPLICATION	15.08.17	JH

Rev	Description	Date	By	App

**BONACCI**

BONACCI GROUP (NSW) Pty Ltd  
 ABN 29 102 716 352  
 Consulting Engineers, Structural - Civil - Infrastructure  
 Level 6, 37 York Street, Sydney, NSW 2000 Australia  
 Tel: +61 2 8247 8400 Fax: +61 2 8247 8444  
 sydney@bonaccigroup.com  
 www.bonaccigroup.com

Project Name: 2 MACPHERSON STREET WARRIWOOD, NSW 2102

Drawing Title: SOIL AND WATER MANAGEMENT DETAIL SHEET 2

DEVELOPMENT APPLICATION			
Designed	JH	Project Director Approved	Date
Drawn	JH		North
Scale	NOTED	Project Ref	Drawing No
Date	15/08/17	20 21791 01	C007
Sheet			P1