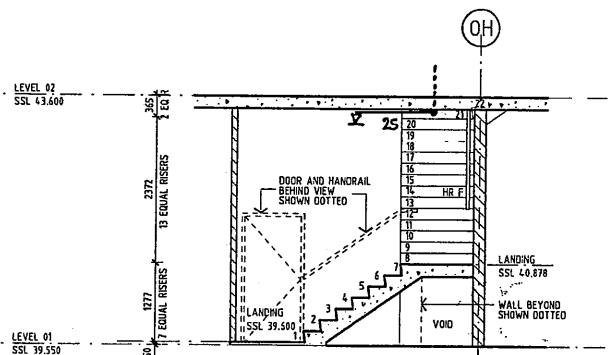


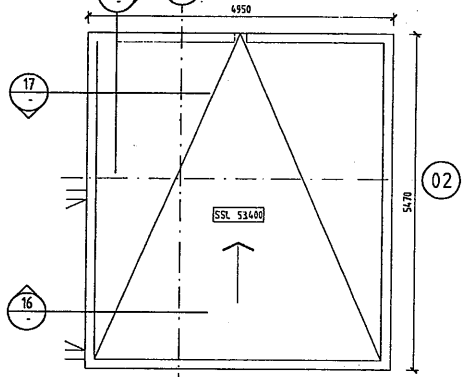
17 SECTION C  
STAIR E-02

16 SECTION B  
STAIR E-02

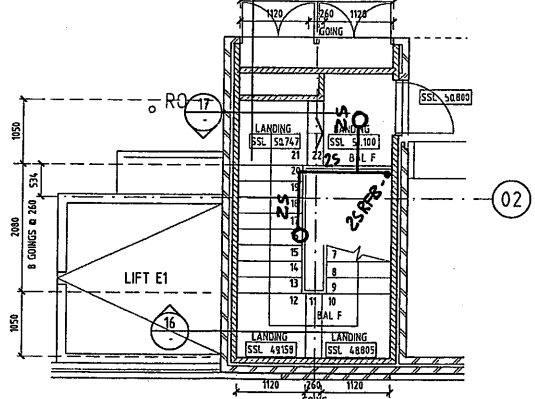
15 SECTION A  
STAIR E-02



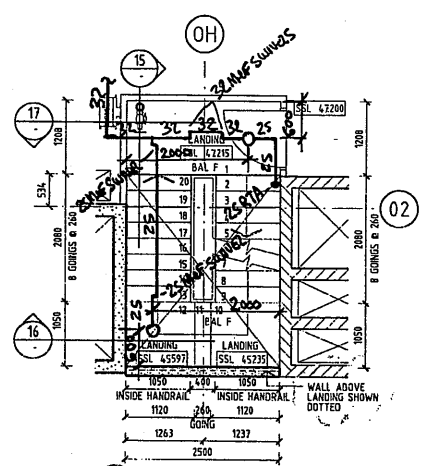
14 SECTION D  
STAIR E-02



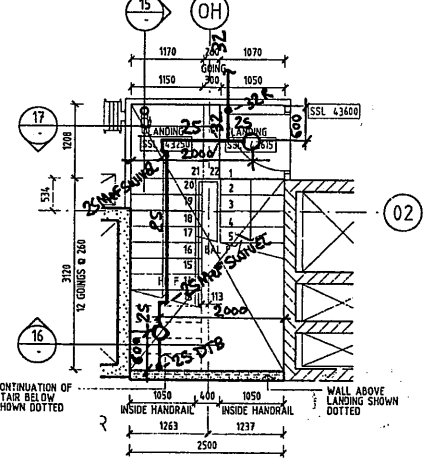
13 LEVEL 05 PLAN  
STAIR E-02



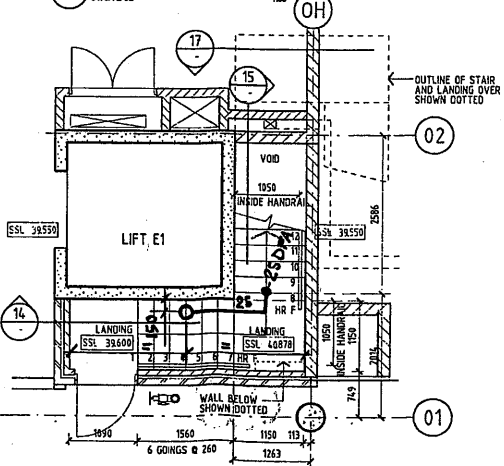
12 LEVEL 04 (ROOF) PLAN  
STAIR E-02



11 LEVEL 03 PLAN  
STAIR E-02



10 LEVEL 02 PLAN  
STAIR E-02



09 LEVEL 01 PLAN  
STAIR E-02

STAIR E-02

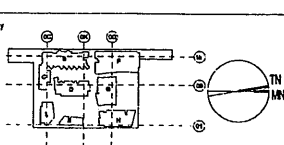
NO	Date	Description	By	App'd
A	20.07.08	ISSUED FOR COORDINATION		
B	18.08.08	EXTENT OF STAIR ROOF AMENDED		
C	25.10.08	STAIR ISH DELETED, STAIR E-02 REVISED		
D	06.12.08	SECTION A UPDATED, AMENDMENTS CLOUDED		

Do not scale drawings. Use figured dimensions only. Check & verify levels and dimensions on site prior to the commencement of any work. The architect is not responsible for the construction of any components.

**IF IN DOUBT ASK**

This drawing is the copyright of Allen Jack + Cottier Architects and is protected under the Copyright Act 1968. No part of this drawing or information in any form or by any means without the express permission of Allen Jack + Cottier Architects.

Engineering: Reynolds Bark Carter ABN 2101 0100 1111, Guyon B Carter 2020, Michael Truman SHM, Peter Wray MBE, Reynolds Bark Carter 3102, Peter Strickland 3102.



Project Manager: CAVERSTOCK GROUP PTY LTD

Client: STOCKLAND DEVELOPMENT PTY LIMITED

Architect: ALLEN JACK + COTTIER

79 Myrtle Street Chippendale NSW 2008 AUSTRALIA  
ph +61 2 9311 8222 fx +61 2 9311 8200 ABN 53 003 782 250

Project: the village

197-216 CONDOMINIUM STREET BALGOOLAH NSW 2803  
Proj No. 04097

Drawing Title: STAIR E-01 AND E-02 PLANS AND SECTIONS

Scale of B1: 1:50

Drawing No: A E 4301

Issue: D

Drawing Status: FOR CONSTRUCTION

Drawn By: [Name]

Checked By: [Name]

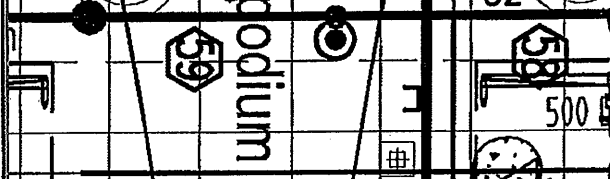
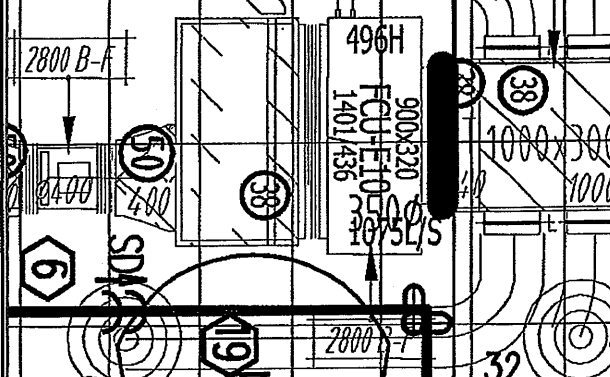
Approved By: [Name]



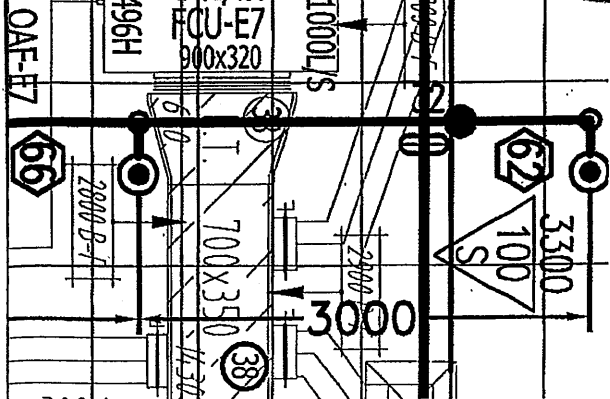
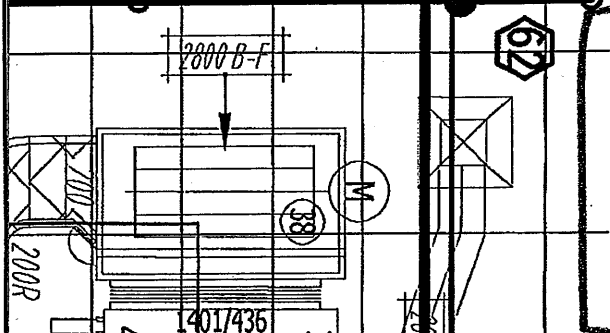
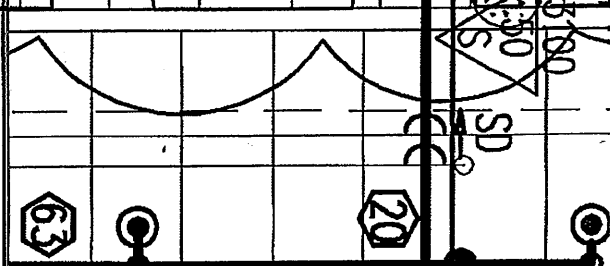
CHEUNG

ROOM

1075L/S  
900x320  
FCU-E9  
1401/436  
496H



Podium



LEVEL 3