

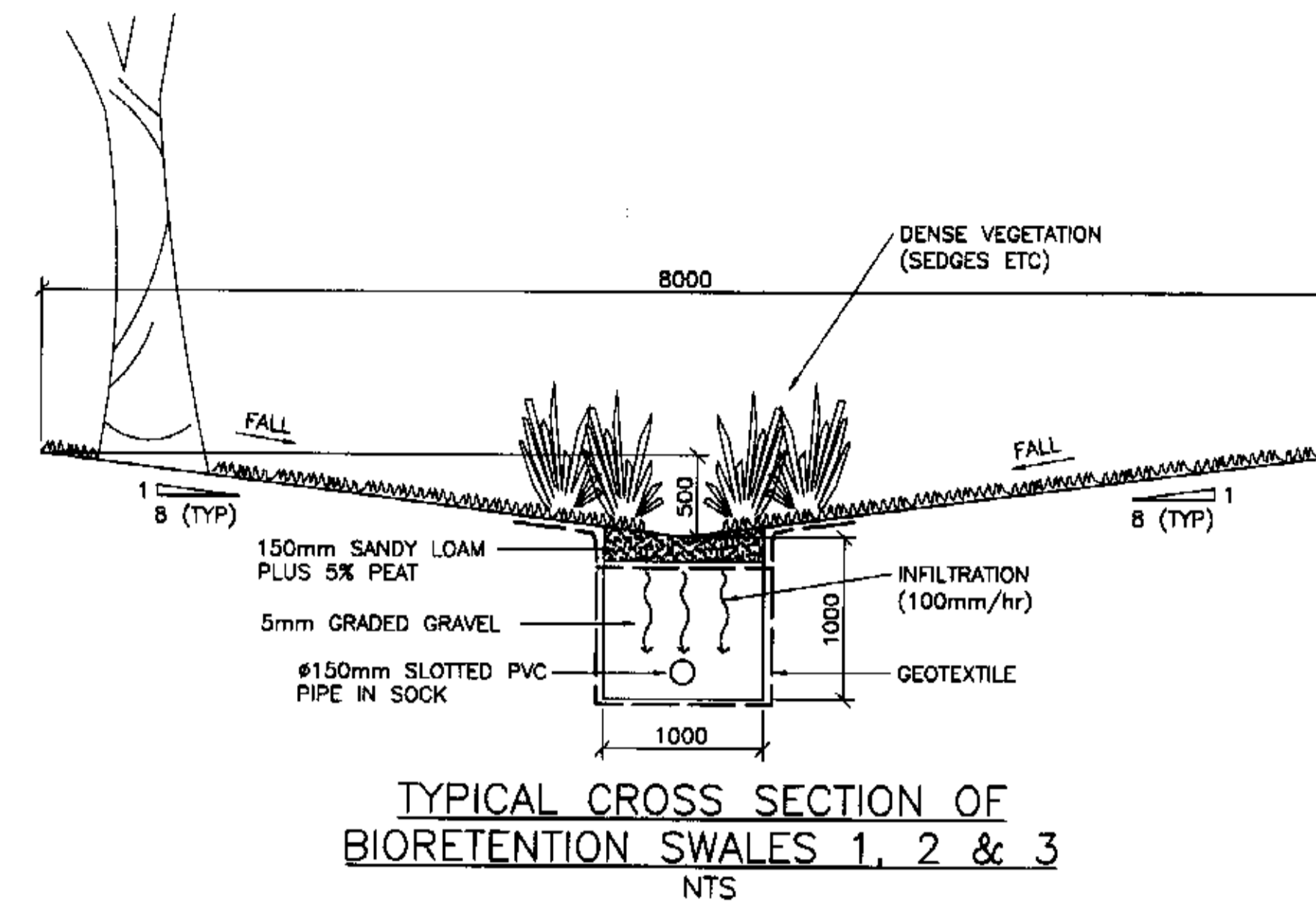
**STORMWATER DRAINAGE SYSTEM**  
1:1000

**LEGEND**

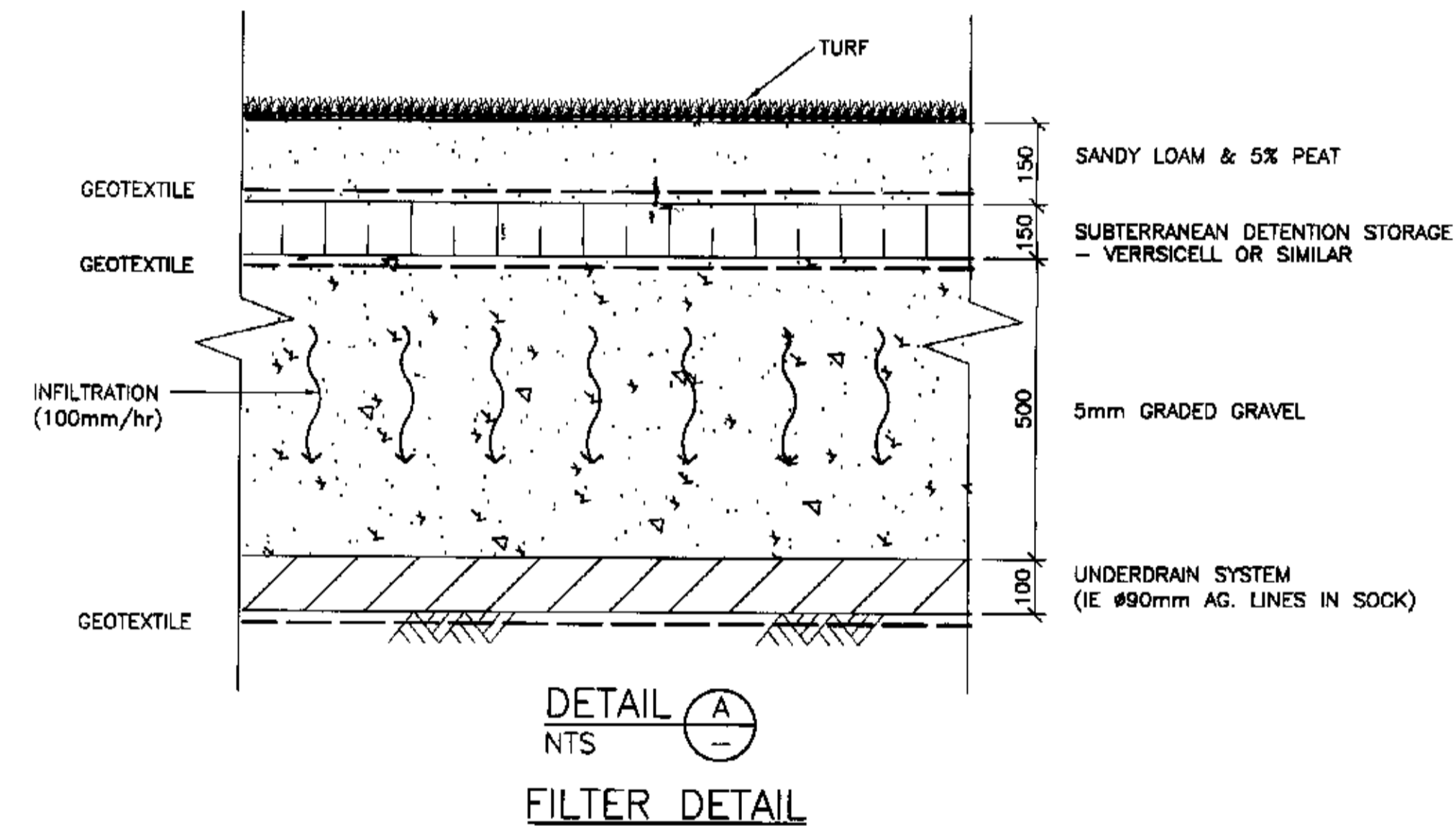
- EXISTING SURFACE CONTOUR (1m INTERVAL)
- x15.2 APPROX. FINISHED DESIGN SURFACE LEVEL
- CATCHMENT BOUNDARY
- PROPOSED STORMWATER LINE
- BIORETENTION SWALE
- BASIN OUTLET SYSTEM
- GPT GROSS POLLUTANT TRAP
- ONE WAY CROSSFALL ROAD, WITH NO KERB ON DOWNSTREAM KERB LINE (USE EDGE STRIP)
- FILTER AREA

**BIORETENTION/DETENTION BASIN**  
 SUBTERRANEAN DETENTION = 300m<sup>3</sup>  
 ABOVE GROUND DETENTION = 2700m<sup>3</sup>  
 FILTER DEPTH = 550mm (REFER TYPICAL SECTION)  
 TYPICAL SECTION) FILTER AREA ~ 500m<sup>2</sup> SURFACE AREA ~ 3000m<sup>2</sup> 100yr ARI DEPTH ~ 1500mm

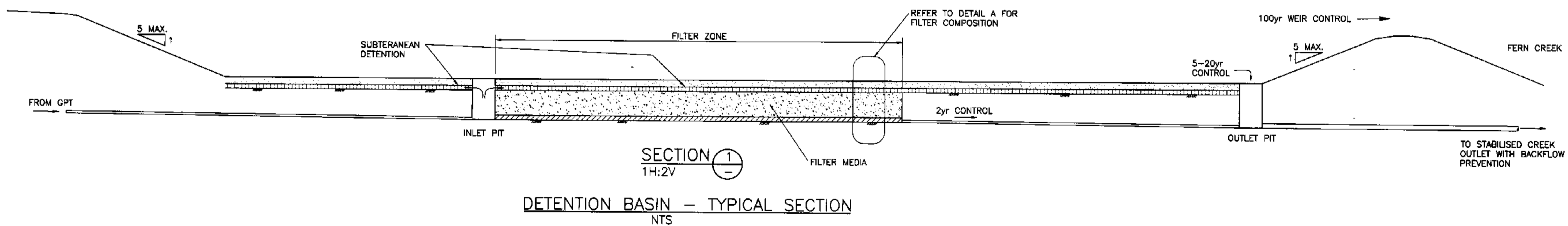
NO FLOWS ABOVE GROUND IN STORMS < 2yr ARI



**TYPICAL CROSS SECTION OF BIORETENTION SWALES 1, 2 & 3**  
NTS



**DETAIL A**  
NTS  
**FILTER DETAIL**



**SECTION 1**  
1H:2V  
**DETENTION BASIN - TYPICAL SECTION**  
NTS

**DRG STATUS: PRELIMINARY, NOT FOR CONSTRUCTION**

Issue	Details of Issue	Des'd	Drm	Chk'd	Approved	Date
C	REVISED FOR DA	MS	SGB	MS	M. TOOKER	29.10.03
B	ISSUED FOR DA	MS	ARG	MS	M. TOOKER	28.10.03
A	ISSUED FOR REZONING WMR	SWA	ARG	MS	M. TOOKER	14.05.03

INITIALS SHOWN IN THE ADJACENT ISSUE RECORDS INDICATE THE STAGES UNDERTAKEN IN THE DRAWING APPROVAL PROCESS. DRAWINGS ARE ONLY TO BE USED WHEN APPROVED BY PATTERSON BRITTON & PARTNERS AND THEN ONLY AS NOTED FOR DRG STATUS. THE ORIGINAL SIGNATURES CAN BE FOUND ON THE REVERSE SIDE OF THE ORIGINAL OF THE DRG REGISTER/TRANSMITTAL FORM No.5.2.2. HELD BY PATTERSON BRITTON & PARTNERS

level 2  
104 Mount Street  
North Sydney 2060  
telephone (02) 9957 1619  
facsimile (02) 9957 1281  
email reception@patbrit.com.au  
A.C.N. 093 220 228

**Patterson Britton & Partners Pty Ltd**  
consulting engineers

Client  
**AUSTRALAND**  
Project  
**WARRIWOOD VALLEY SECTOR 8**

Title  
**STORMWATER DRAINAGE CONCEPT PLAN**

Drawing No.  
**4903-02**  
Issue  
**C**  
Cod File No.  
4903-02  
Xref.(s)