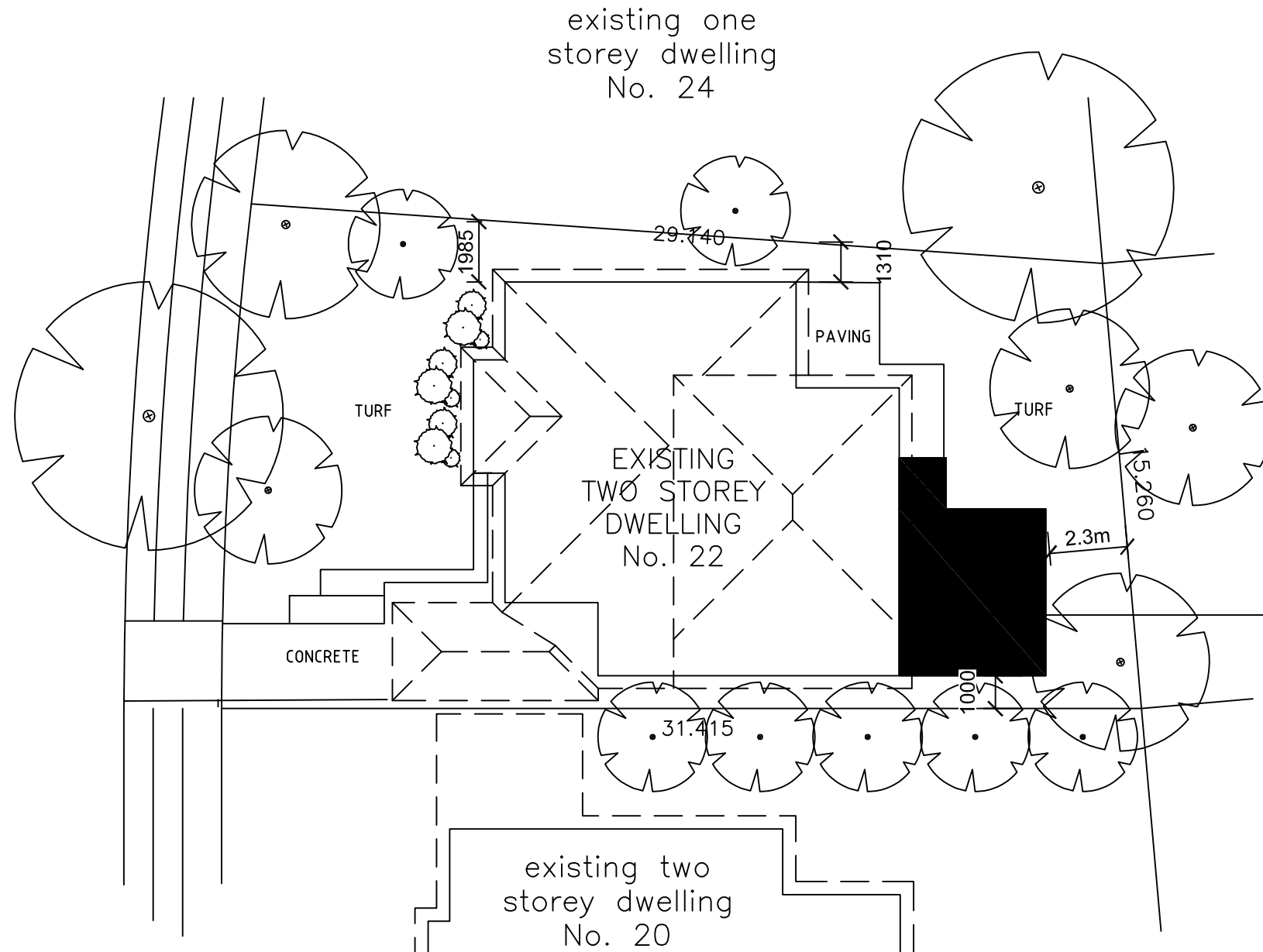


BARINGA AVENUE



AREA CALCULATIONS

SITE AREA	495.5 m <sup>2</sup>
EXISTING DWELLING	164.6 m <sup>2</sup>
EXISTING OTHER	0.0 m <sup>2</sup>
EXISTING TOTAL	164.6 m <sup>2</sup>
EXISTING FS RATIO	0.33 : 1
PROPOSED WORKS	31.3 m <sup>2</sup>

SITE COVERAGE

EXISTING COVERAGE	255.9 m <sup>2</sup>
	51.6 %
PROPOSED COVERAGE	255.9 m <sup>2</sup>
	51.6 %
PROPOSED LANDSCAPE	239.6 m <sup>2</sup>
	48.4 %

 northern beaches council

**THIS PLAN IS TO BE READ IN CONJUNCTION WITH THE CONDITIONS OF DEVELOPMENT CONSENT**

**DA2024/0595**

PROPOSED METAL FRAMED DECK & METAL PERGOLA

SITE PLAN

1:200

PERGOLA:

- FRAME: ALL SELECTED METAL FRAMEWORK TO COMPLY WITH MANUFACTURERS SPECIFICATIONS IN REGARDS TO SIZES & ATTACHMENTS.
- SHEETING: INSULATED ROOF PANELLING FIXED IN ACCORDANCE WITH MANUFACTURERS SPECIFICATIONS.

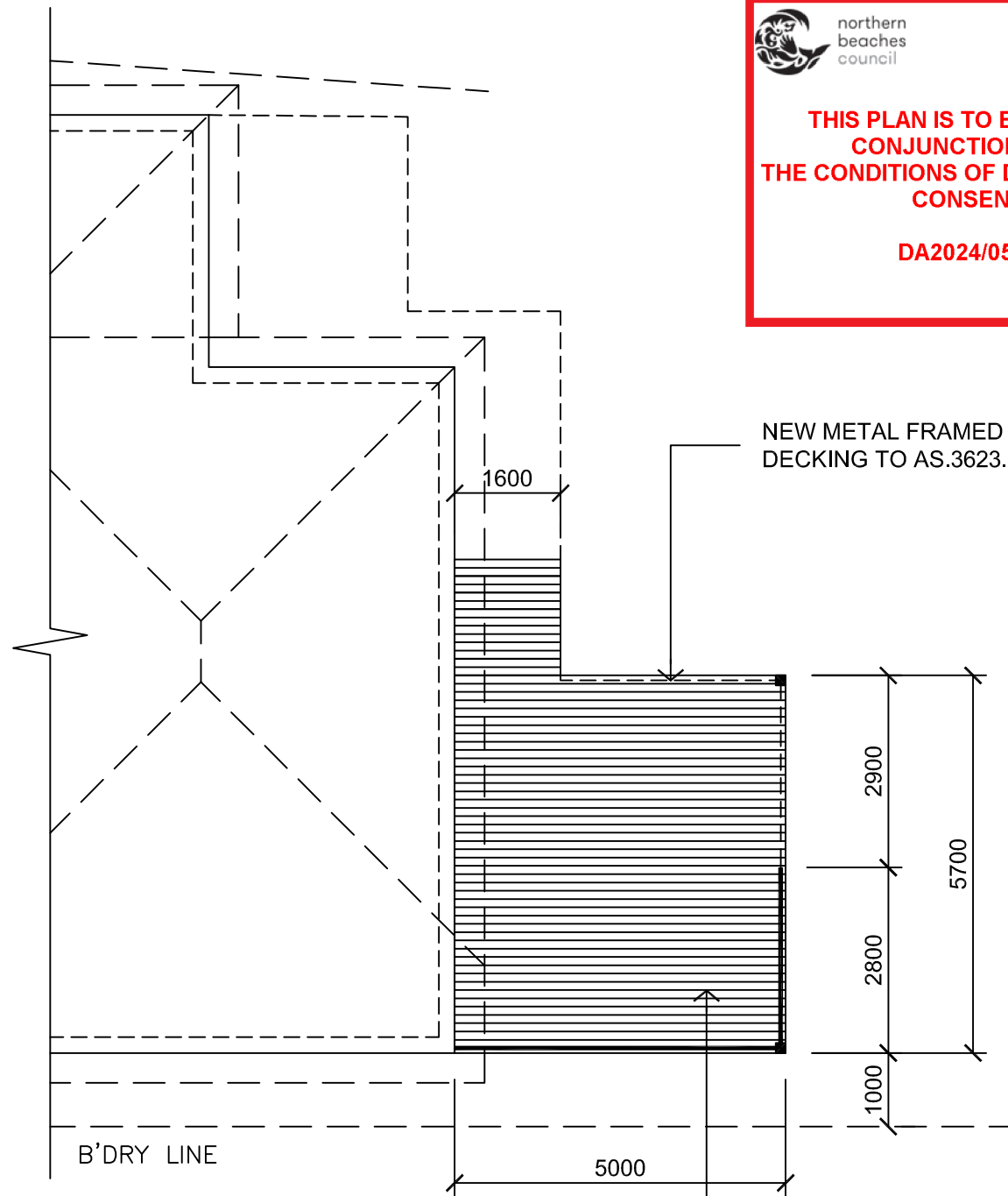
DECKING:

- FRAME: ALL METAL DECKING FRAMEWORK TO COMPLY WITH MANUFACTURERS SPECIFICATIONS
- DECKING: DECO ALUMINIUM DECKING 134mm x 25mm FIXED AS PER MANUFACTURERS SPECIFICATIONS
- HANDRAIL: SLATTED ALUMINIUM HANDRAIL INSTALLED TO MANUFACTURERS SPECIFICATIONS



**THIS PLAN IS TO BE READ IN  
CONJUNCTION WITH  
THE CONDITIONS OF DEVELOPMENT  
CONSENT**

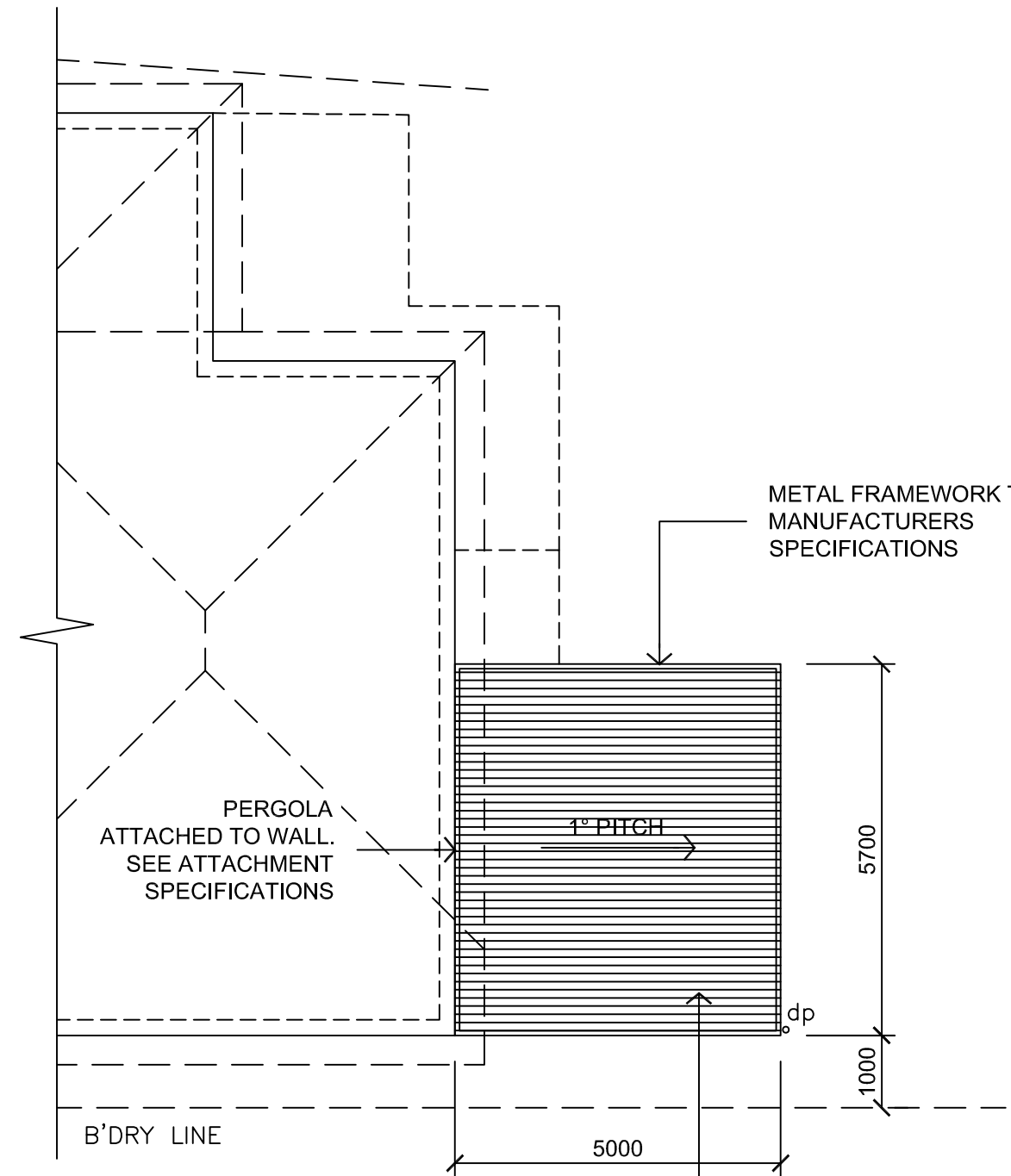
**DA2024/0595**



**DECKING PLAN**

1:100

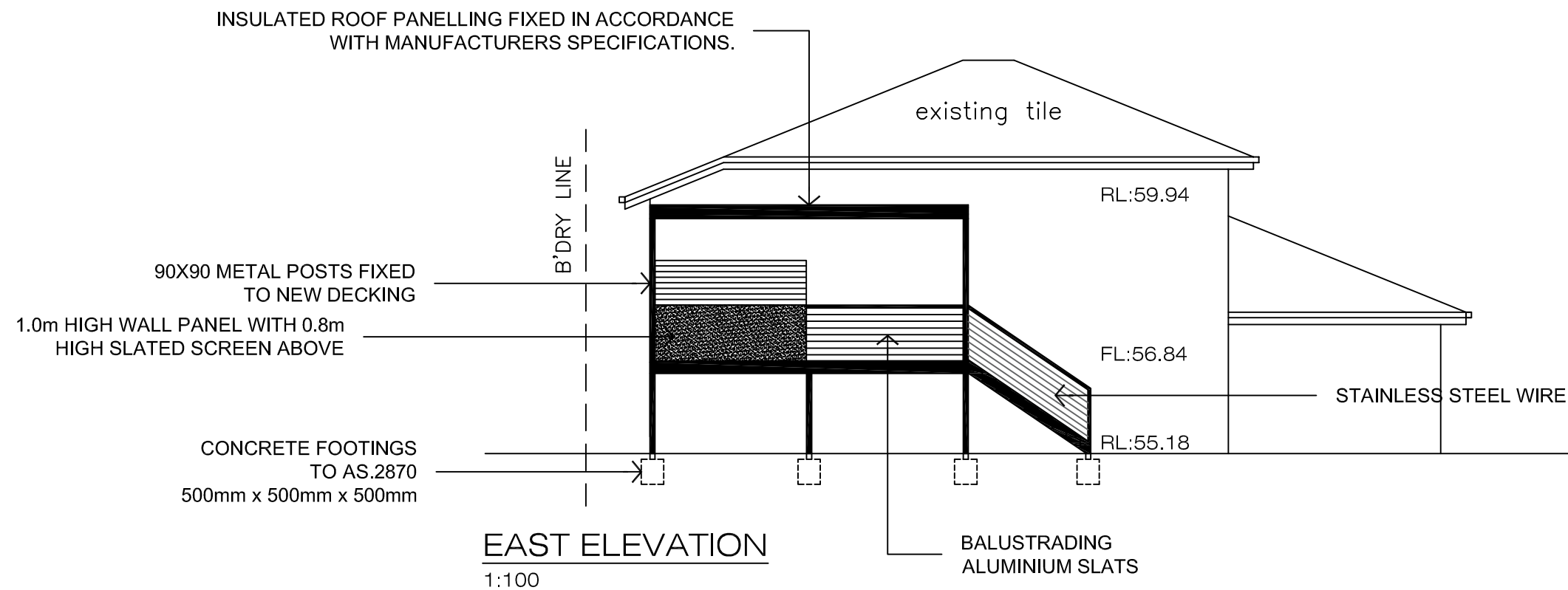
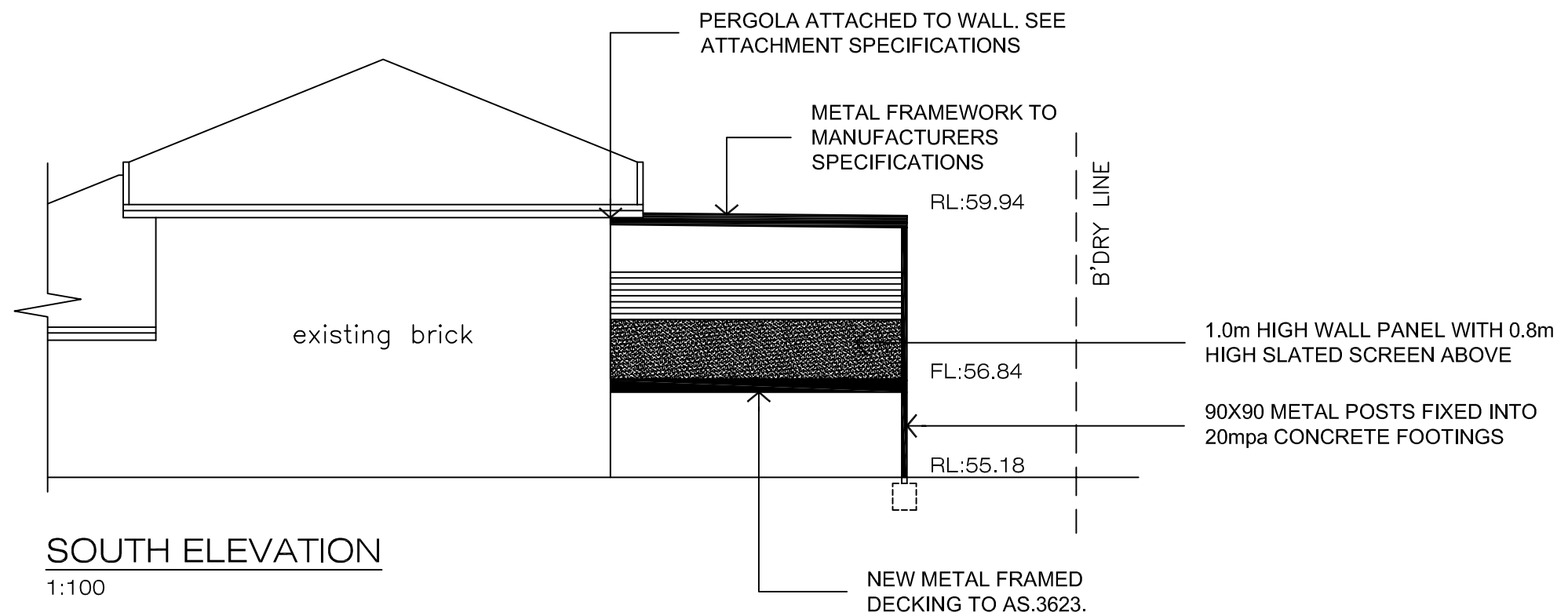
DECO ALUMINIUM DECKING 134mm x 25mm  
FIXED AS PER MANUFACTURERS  
SPECIFICATIONS



**PERGOLA PLAN**

1:100

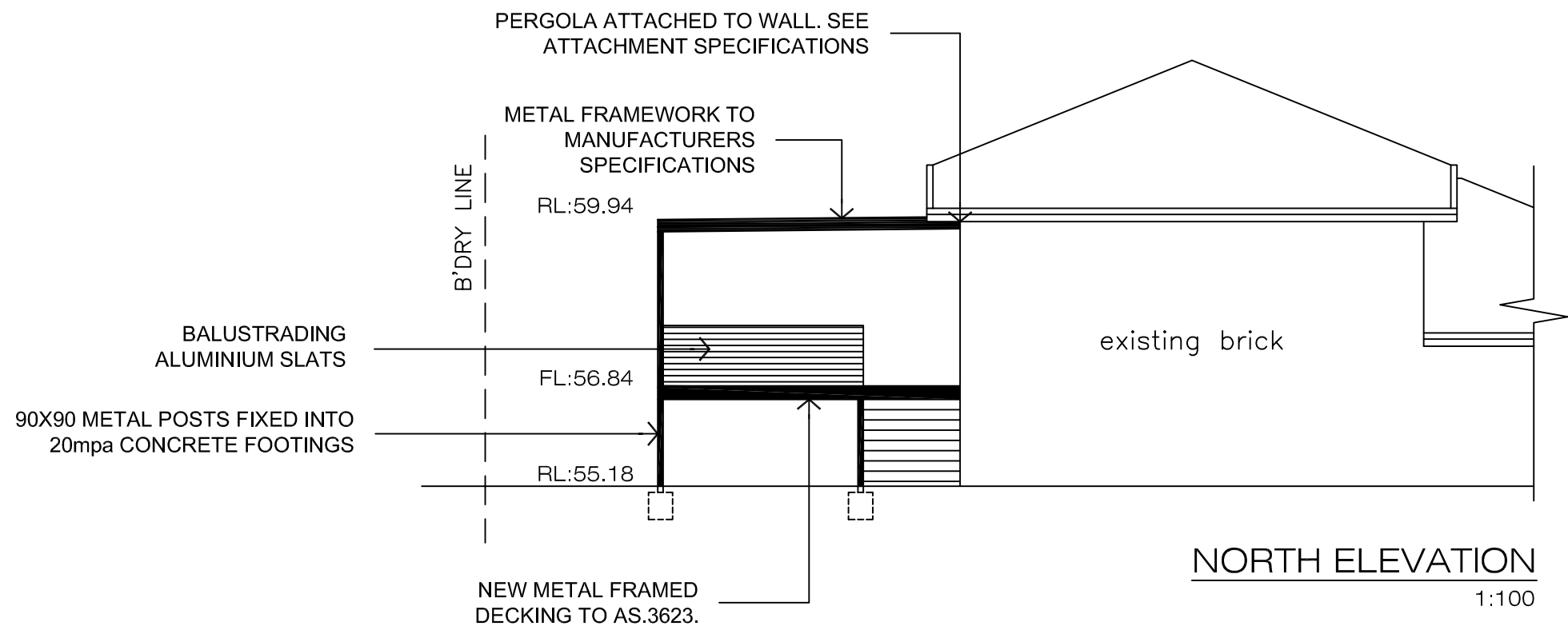
INSULATED ROOF PANNELLING  
FIXED IN ACCORDANCE WITH  
MANUFACTURERS SPECIFICATIONS.



 northern beaches council

**THIS PLAN IS TO BE READ IN CONJUNCTION WITH THE CONDITIONS OF DEVELOPMENT CONSENT**

**DA2024/0595**




 northern  
beaches  
council  
  
**THIS PLAN IS TO BE READ IN  
CONJUNCTION WITH  
THE CONDITIONS OF DEVELOPMENT  
CONSENT**  
  
**DA2024/0595**