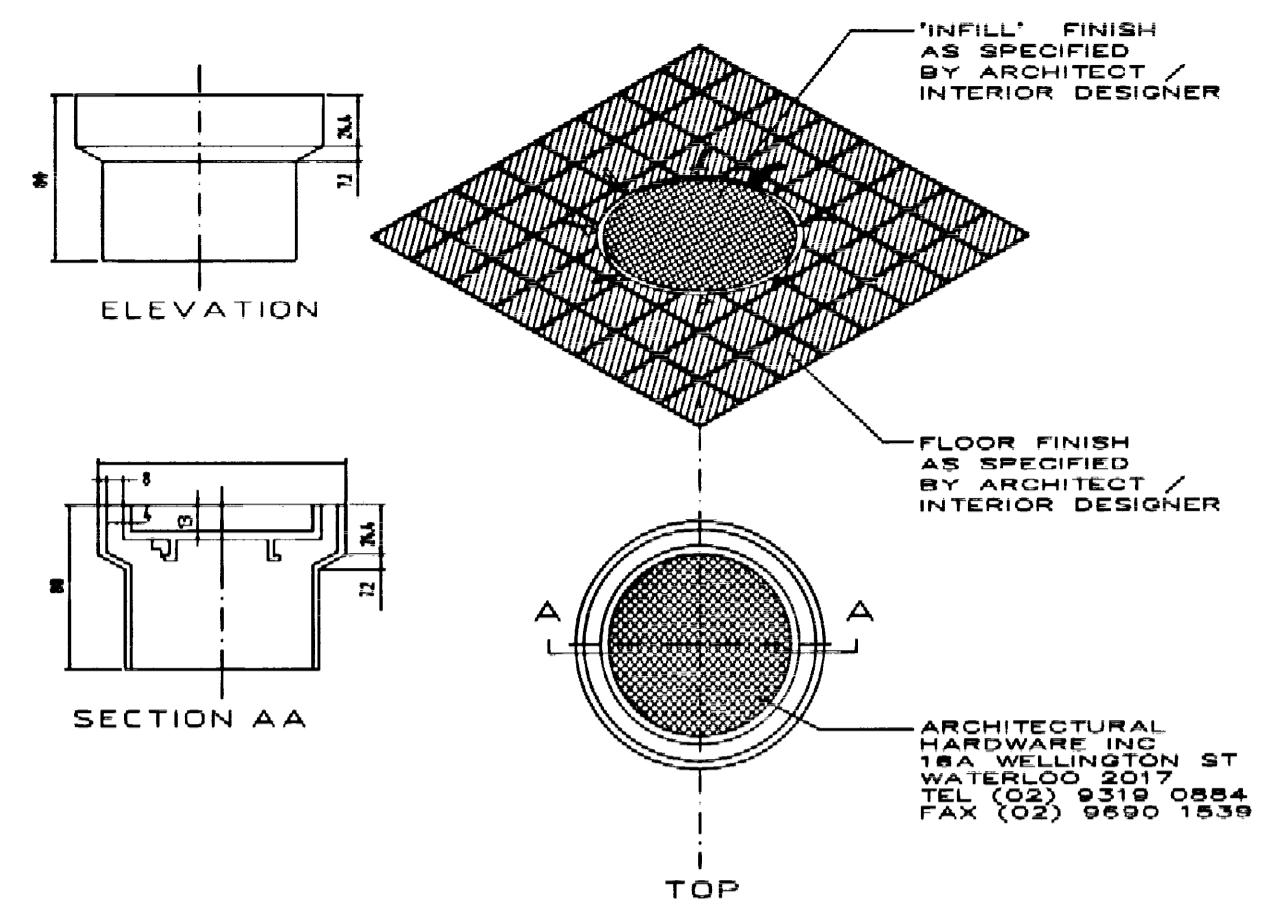
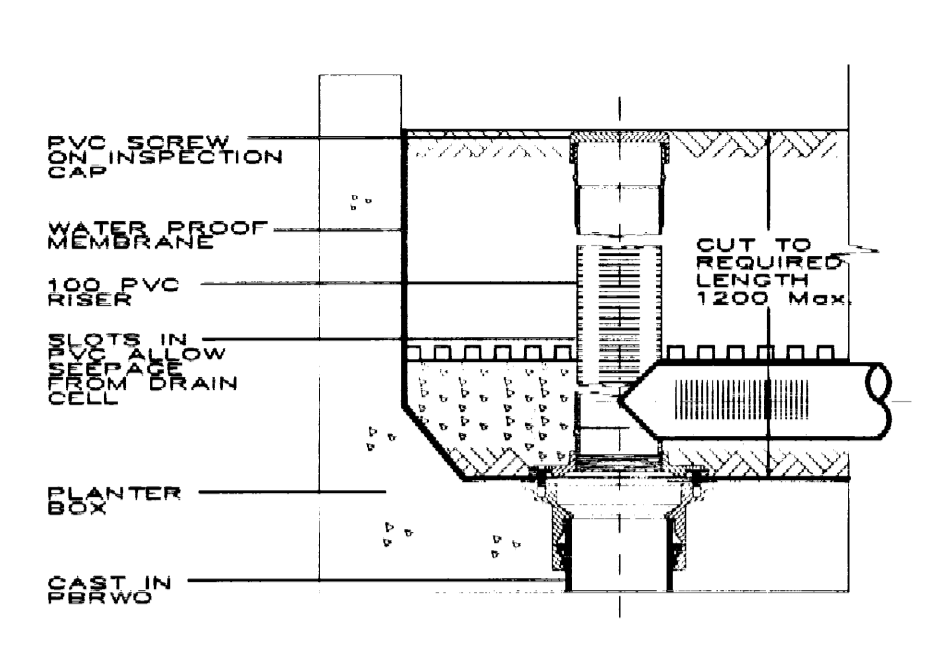


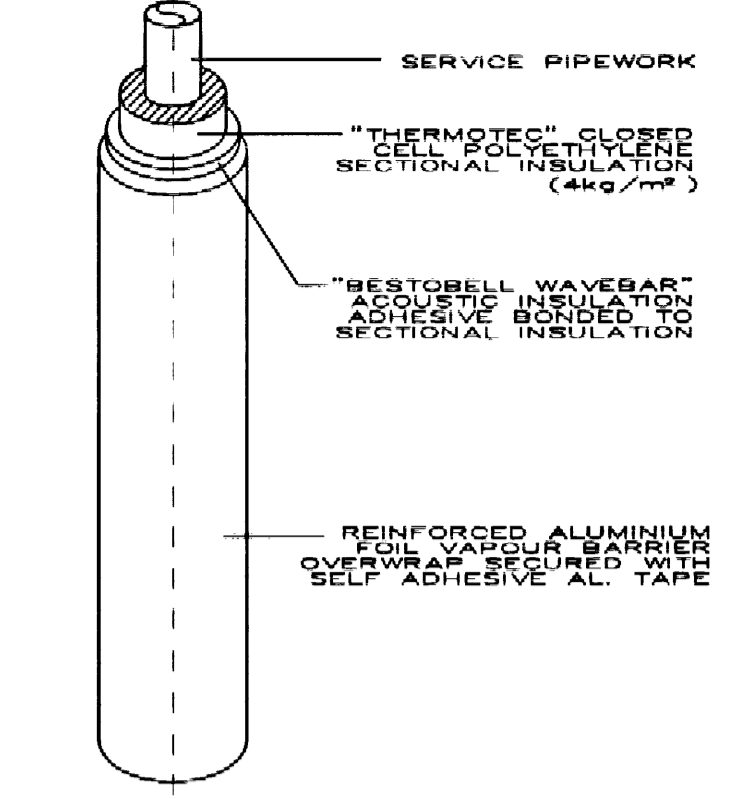
DETAIL - 01  
TYPICAL FLOORWASTE  
N.T.S.



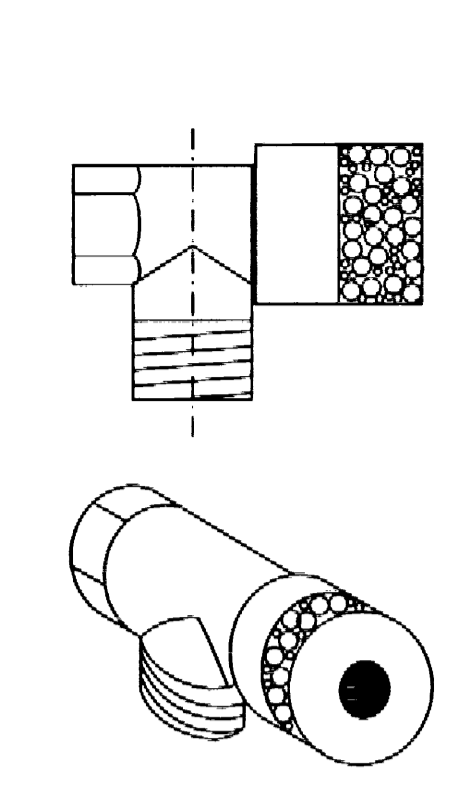
DETAIL - 02  
TYPICAL FLOORWASTE  
N.T.S.



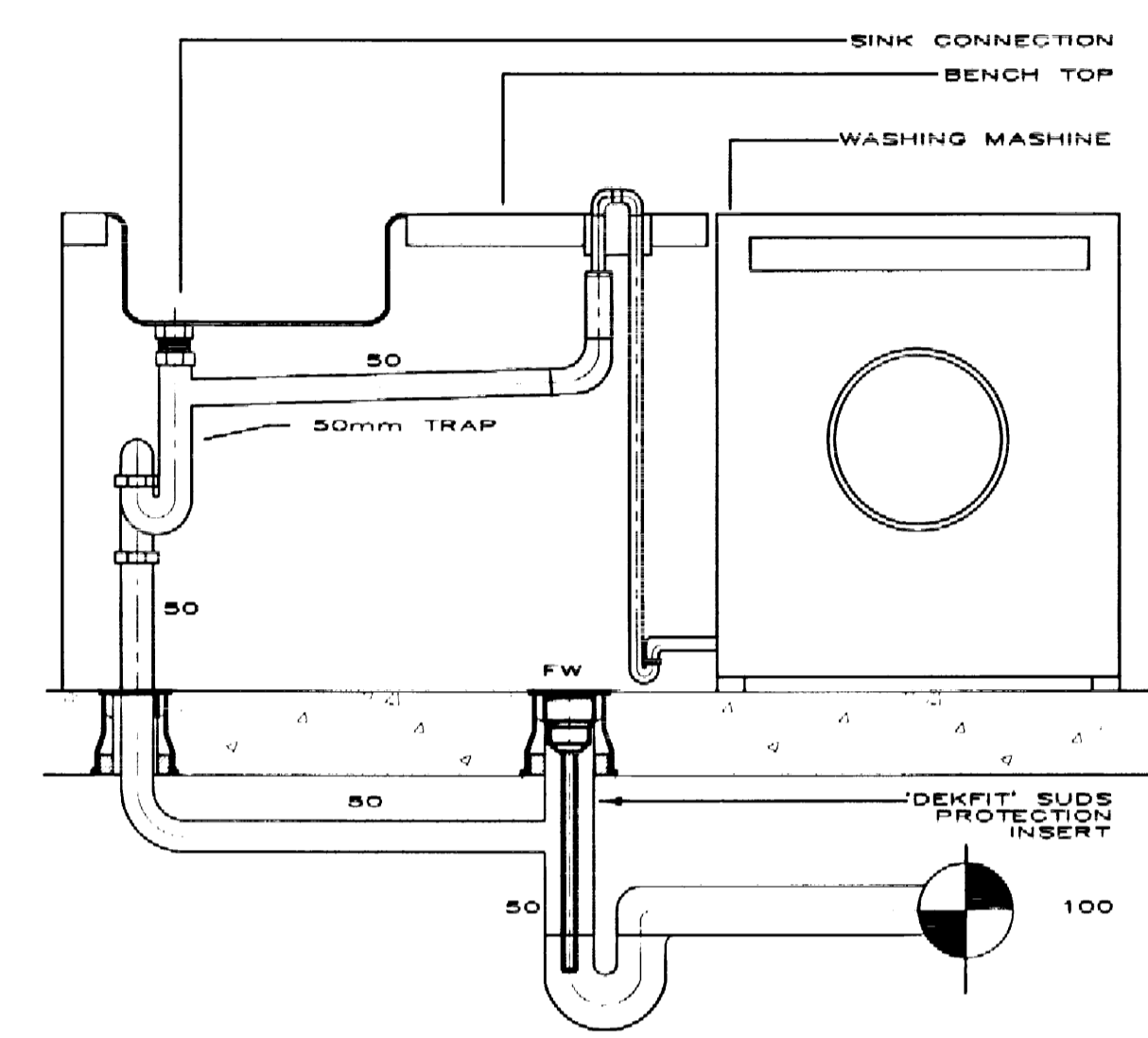
DETAIL - 03  
PLANTER BOX  
N.T.S.



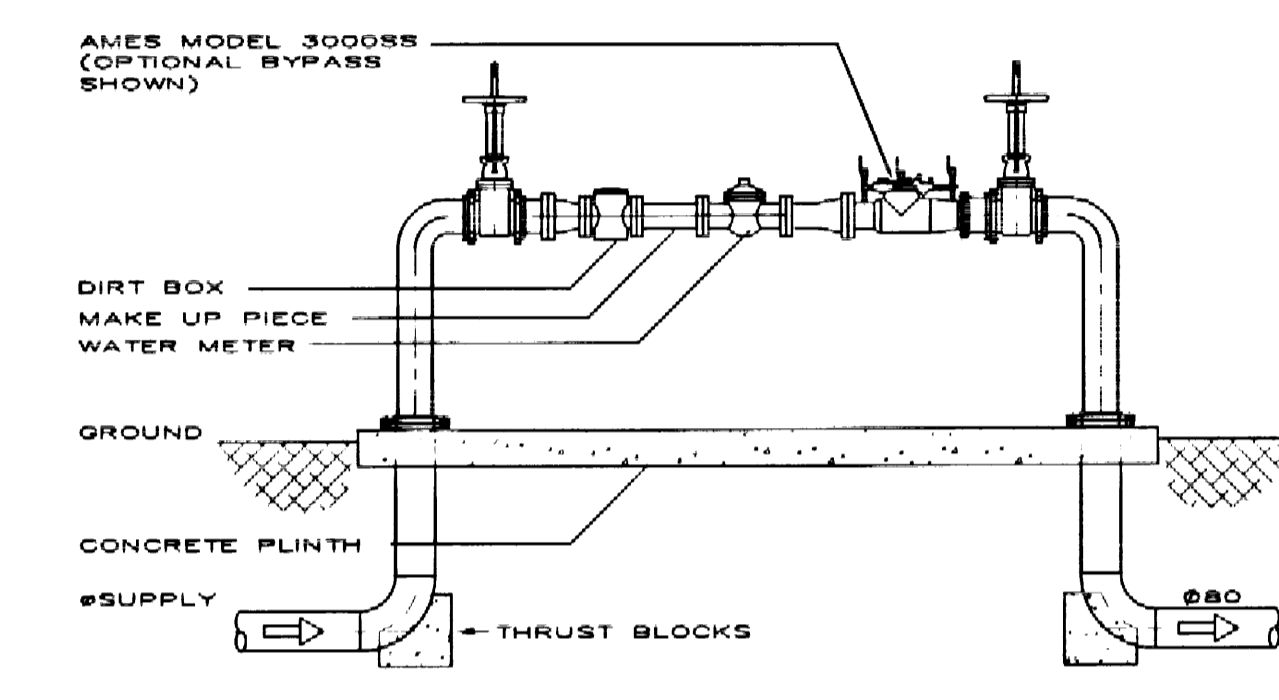
DETAIL - 04  
ACOUSTIC INSULATION  
N.T.S.



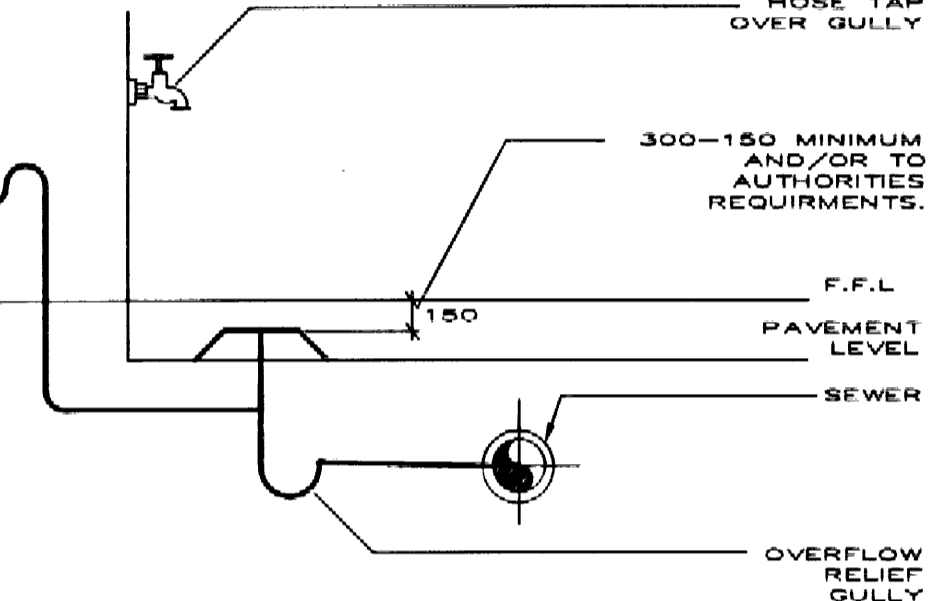
DETAIL - 05  
TYPICAL 'WM' HOSE TAP  
N.T.S.



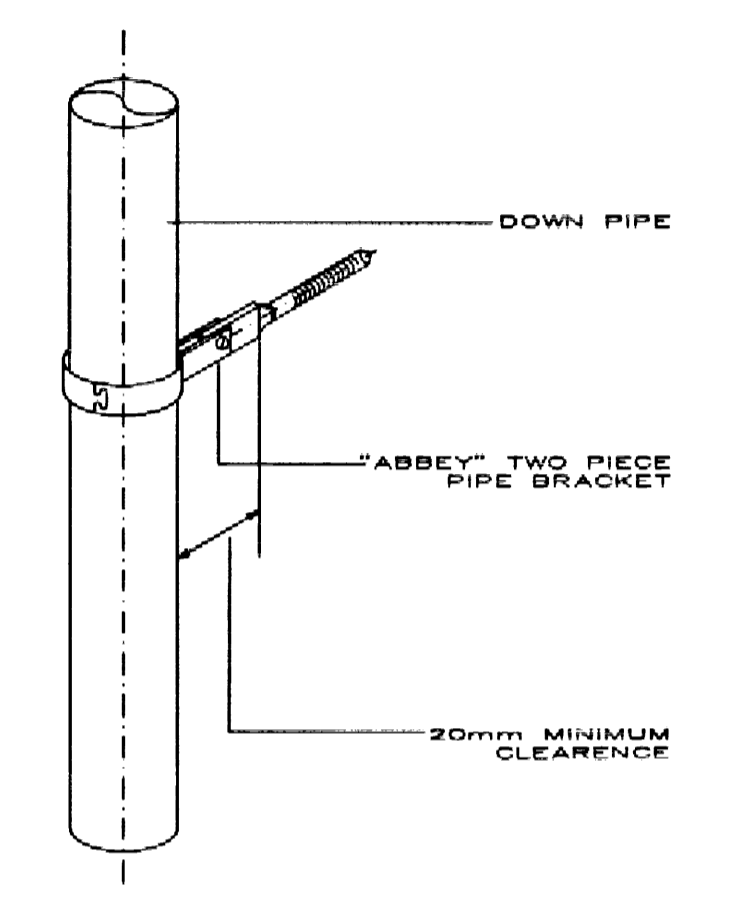
DETAIL - 06  
TYPICAL LAUNDRY TUB & FLOORWASTE



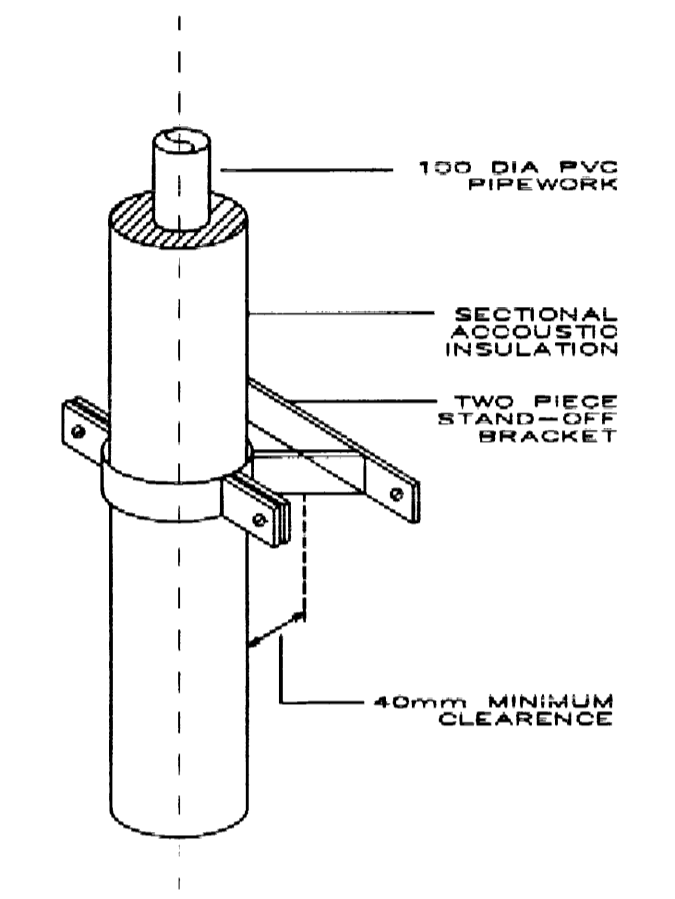
DETAIL - 07  
WATER METER ASSEMBLY  
N.T.S.



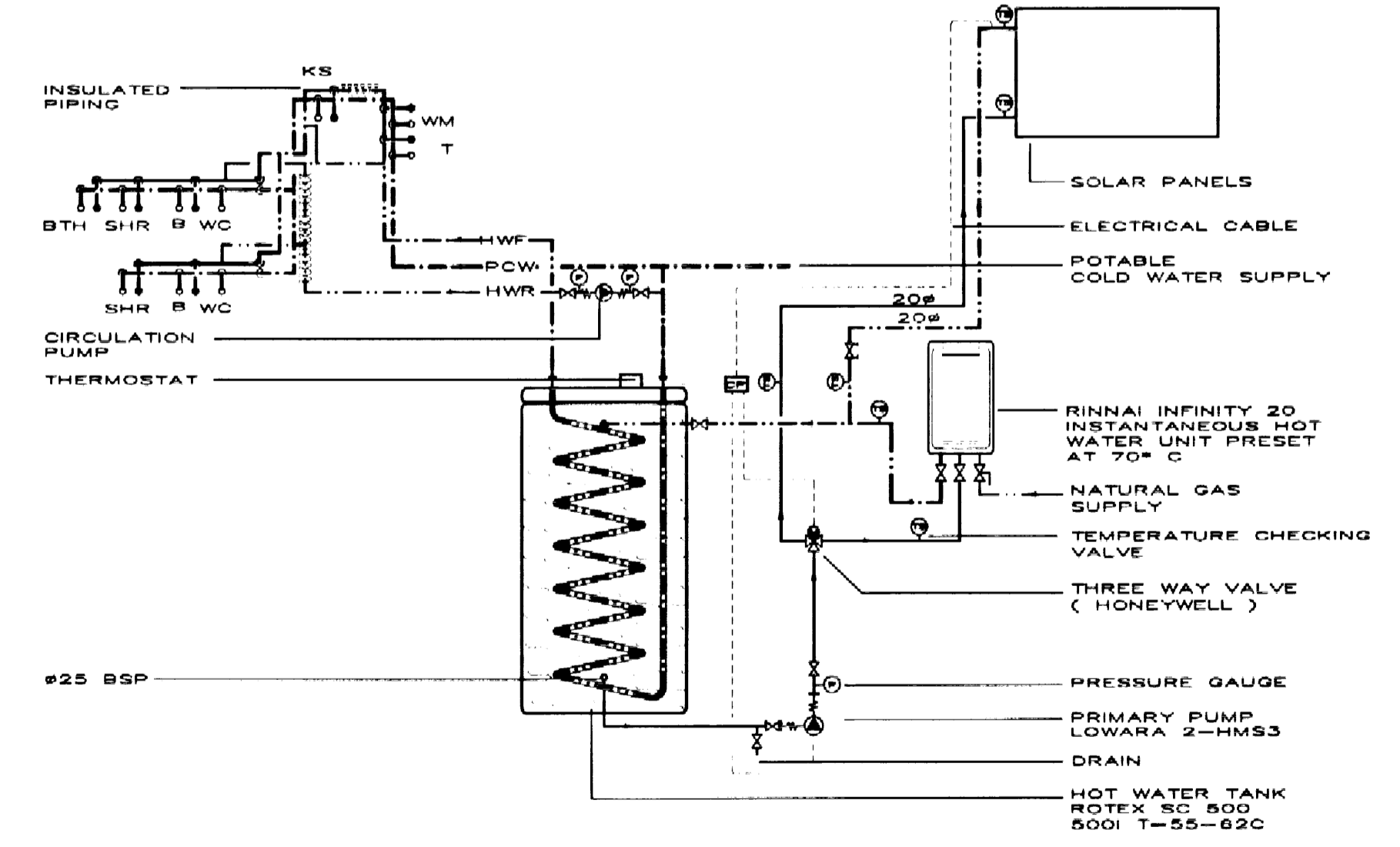
DETAIL - 08  
SURCHARGE GULLY  
N.T.S.



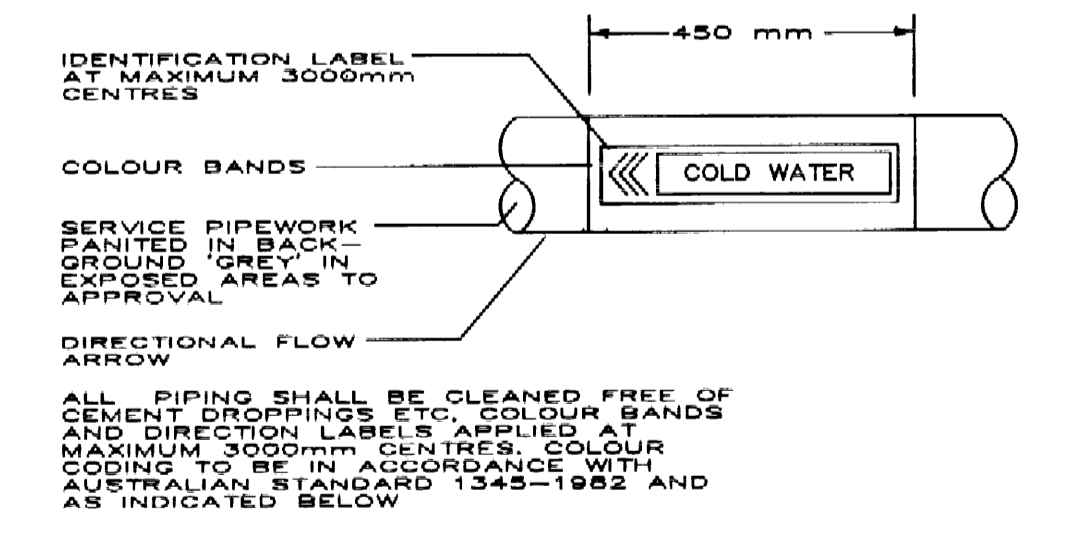
DETAIL - 09  
STANDOFF BRACKET  
N.T.S.



DETAIL - 10  
TYPICAL VERTICAL SANITARY  
PIPEWORK BRACKET  
N.T.S.

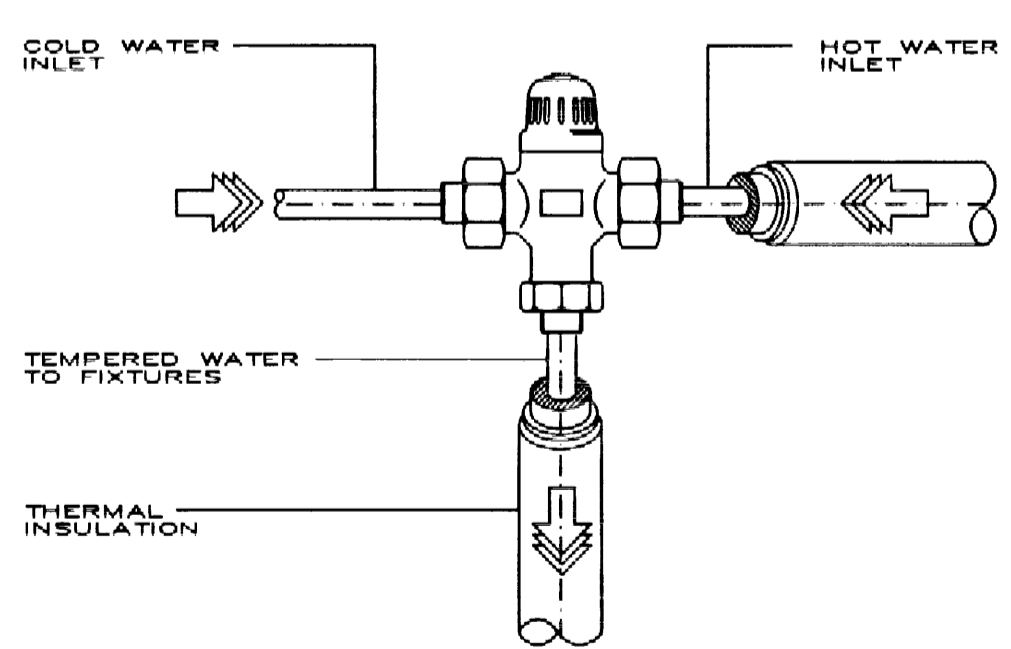


DETAIL - 11  
SOLAR & GAS HOT WATER SYSTEM  
N.T.S.

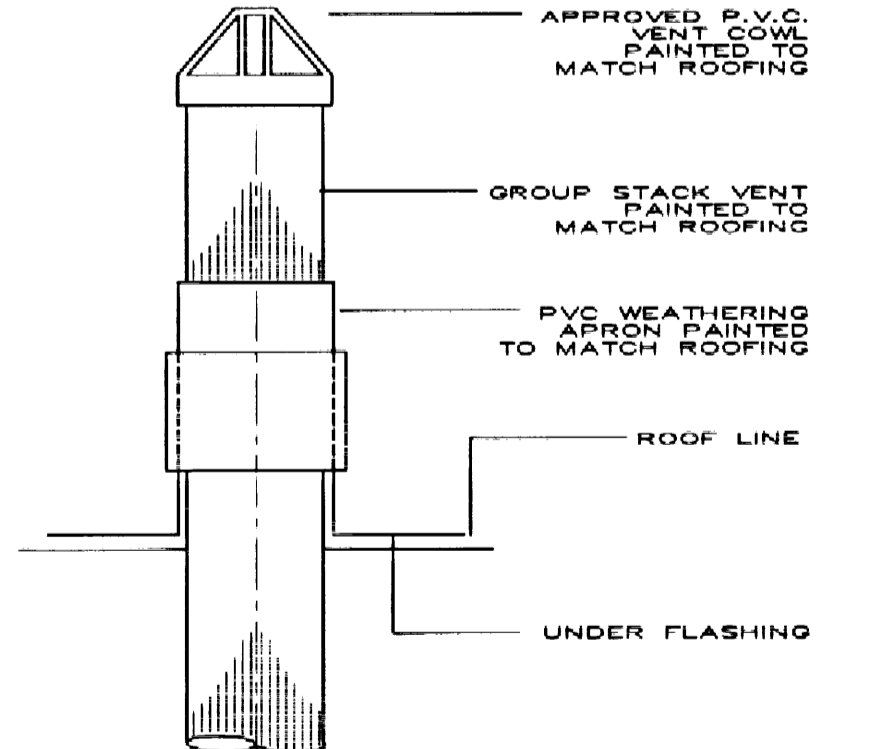


SERVICE	GROUND COLOUR
DOMESTIC COLD WATER	EMERALD GREEN
DOMESTIC HOT WATER	BRIGHT GREEN
GAS	BIRCHUIT
SOIL WASTE	BLACK
SOIL WASTE VENT	BLACK

DETAIL - 12  
PIPING IDENTIFICATION  
N.T.S.



DETAIL - 13  
THERMOSTATIC MIXING VALVE  
N.T.S.



DETAIL - 14  
TYPICAL VENT TERMINATION  
N.T.S.

NOTE:  
● FOR GENERAL NOTES AND LEGEND REFER TO COVER SHEET DH-00

thomsonkane

REV	ISSUE	BY	CHKD	DATE
P1	PRELIMINARY ISSUE	AM	AT	20.10.04

DISCIPLINE	DRG NO.	REV	TK QA SYSTEM	REASON FOR ISSUE
ARCHITECTURAL				
STRUCTURAL				
MECHANICAL				
ELECTRICAL				
CIVIL				

HYDRAULIC ENGINEERS:  
**thomsonkane**  
Consulting Hydraulic and Fire Engineers  
201 Pacific Highway, North Sydney NSW 2060  
Phone: (02) 9955 0788 Fax: (02) 9954 5532  
Email: tk@thomsonkane.com.au  
WWW.THOMSONKANE.COM.AU  
ACN 109 803 849  
THIS DRAWING IS COPYRIGHT ©

ARCHITECTS:  
**Denis Leech Associates P/L**  
350 George Street, Sydney NSW 2000  
Tel: (02) 9997 7288 Fax: (02) 9997 3164

MASTER PLANNING:  
**Wolski, Lyckenko & Brechnock**  
115 Military Road, Neutral Bay NSW 2089  
Tel: (02) 9953 8477 Fax: (02) 953 8557

ELECTRICAL:  
**Barry Webb & Associates P/L**  
37 Ryde Road, Ryde NSW 2073  
Tel: (02) 9418 1444 Fax: (02) 9418 1191

ENVIRONMENTAL:  
**WP Brown & Partners Pty Ltd**  
Level 2, 82 Waterloo Road  
Meadowbank NSW 2113  
Tel: (02) 9900 1000 Fax: (02) 9900 1099

LANDSCAPE:  
**Place Planning & Design P/L**  
Suite 10, Norberry Terrace, 177 Pacific Hwy  
North Sydney NSW 2060  
Tel: (02) 9959 5021 Fax: (02) 9959 5802

PROJECT:  
**PROPOSED RESIDENTIAL SUBDIVISION - 5 WARRIEWOOD VALLEY, WARRIEWOOD NSW**

TITLE: HYDRAULIC SERVICES  
**DETAIL SHEET**

SCALE: 1:100	PROJECT NO: 4733-1H	CAD REF: T:TKNEW/
DATE: JULY '04	DRAWING NUMBER: H-11	REVISION: P1
DRAWN BY: AT		
CHKD BY: AT		