

NOTES

1. THESE DRAWINGS ARE TO BE READ IN CONJUNCTION WITH THE ARCHITECTURAL DRAWINGS, STRUCTURAL DRAWINGS AND THE SPECIFICATION.
2. PRIOR TO COMMENCEMENT OF WORKS THE CONTRACTOR SHALL SATISFY HIMSELF OF THE CORRECT LOCATION OF EXISTING SERVICES WHETHER INDICATED OR NOT ON THE PLANS. ANY DAMAGE TO EXISTING SERVICES SHALL BE RECTIFIED AT THE CONTRACTOR'S EXPENSE.
3. TRAFFIC MANAGEMENT MEASURES HAVE TO BE IMPLEMENTED AND MAINTAINED DURING CONSTRUCTION, ALL IN ACCORDANCE WITH COUNCIL'S REQUIREMENTS. THE CONTRACTOR SHALL MAINTAIN SAFE PEDESTRIAN ACCESS ALONG THE FOOTPATH.
4. THE CONTRACTOR SHALL EFFECT TEMPORARY DRAINAGE MEASURES TO AVOID LOCALISED PONDING OF SURFACE RUN-OFF.
5. REFER TO ARCHITECT'S DRAWINGS FOR ALL DETAILS (LEVELS, GRADING ETC.) OF DRIVEWAYS, CONCRETE AND PAVED AREAS, AND RETAINING WALL TYPES AND LOCATIONS.
6. REFER TO LANDSCAPE ARCHITECT'S DRAWINGS FOR DETAILS AND EXTENT OF ALL LANDSCAPED AREAS.
7. ALL SWD PIPES ARE UPVC AT 1.0% MINIMUM GRADE (UNO).
8. SWD PITS CAN BE PRE-CAST SIZED AS FOLLOWS:  
450mm SQ. UP TO 600mm DEEP  
600mm SQ. UP TO 1000mm DEEP
9. ALL PITS LOCATED IN TRAFFICABLE AREAS, (IE, DRIVEWAYS) TO HAVE MEDIUM DUTY GRATED COVERS SUITABLE FOR WITHSTANDING LOADS ASSOCIATED WITH SMALL TRUCKS.
10. PROVIDE STEP IRONS TO ALL PITS GREATER THAN 1.2m DEEP.
11. THE CONTRACTOR SHALL IMPLEMENT ALL SOIL EROSION AND SEDIMENT CONTROL MEASURES PRIOR TO COMMENCEMENT OF WORKS.
12. TOPSOIL SHALL BE STRIPPED ON STOCKPILED OUTSIDE HAZARD AREAS SUCH AS DRAINAGE LINES. THIS TOPSOIL IS TO BE RESPIRED LATER ON AREAS TO BE REVEGETATED.
13. THE CONTRACTOR SHALL REGULARLY MAINTAIN ALL SEDIMENT AND EROSION CONTROL DEVICES AND REMOVE ACCUMULATED SILT FROM SUCH DEVICES. ALL SILT REMOVED SHALL BE DISPOSED OF AS DIRECTED BY THE SUPERINTENDENT. THE PERIOD FOR MAINTAINING THESE DEVICES SHALL BE AT LEAST UNTIL ALL DISTURBED AREAS ARE REVEGETATED AND FURTHER AS MAY BE DIRECTED BY THE SUPERINTENDENT OR COUNCIL.
14. THE CONTRACTOR SHALL MAINTAIN DUST CONTROL UNTIL FINAL COMPLETION OF WORKS.

**DRAINAGE LAYOUT PLAN**

SCALE : 1:100

ALL DRAINAGE LINES SHALL BE UPVC (CLASS SH) STORMWATER DRAINAGE PIPE, UNO.

ALL DRAINAGE LINES SHALL BE LAID @ 1% FALL MIN. UNO. FIRST FLUSH RAINWATER DEVICES TO BE FITTED TO DRAINAGE LINES TO BUILDER'S DETAIL, TYPICAL MINIMUM EFFECTIVE EAVES GUTTER SIZE = 6700 mm<sup>2</sup> MINIMUM EFFECTIVE EAVES GUTTER SLOPE = 1:500 APPROXIMATE LOCATIONS OF EXISTING SERVICES SHOWN EXACT LOCATIONS & DEPTHS TO BE ACCURATELY LOCATED BY BUILDER CONTRACTOR BY CONTACTING THE RELEVANT AUTHORITIES BEFORE COMMENCEMENT OF ANY WORKS

THE FOLLOWING SYMBOLS & ABBREVIATIONS HAVE BEEN USED:

- DP = Ø100, UNO.
- FD = FLOOR OUTLET, REFER TO DETAIL
- SIP = SURFACE INLET PIT (NO LINTEL)
- 100Ø = Ø100 CHARGED LINE
- IP = Ø150 INSPECTION POINT
- RWH = RAIN WATER HEAD
- RWO = RAIN WATER OUTLET (300 x 300)
- FG = FLOOR GULLY Ø150
- E = RAINWATER SPREADER
- RL 16.85 = PROPOSED FINISHED SURFACE LEVEL

**PIPE SCHEDULE**

TO ALL GUTTERS

TAG	PIPE Ø	MATERIAL	Min. GRADE
A	100	PVC	1%
B	100 CHARGED	PVC	1%
C	100 OVERFLOW	PVC	-
DP	100	PVC	-

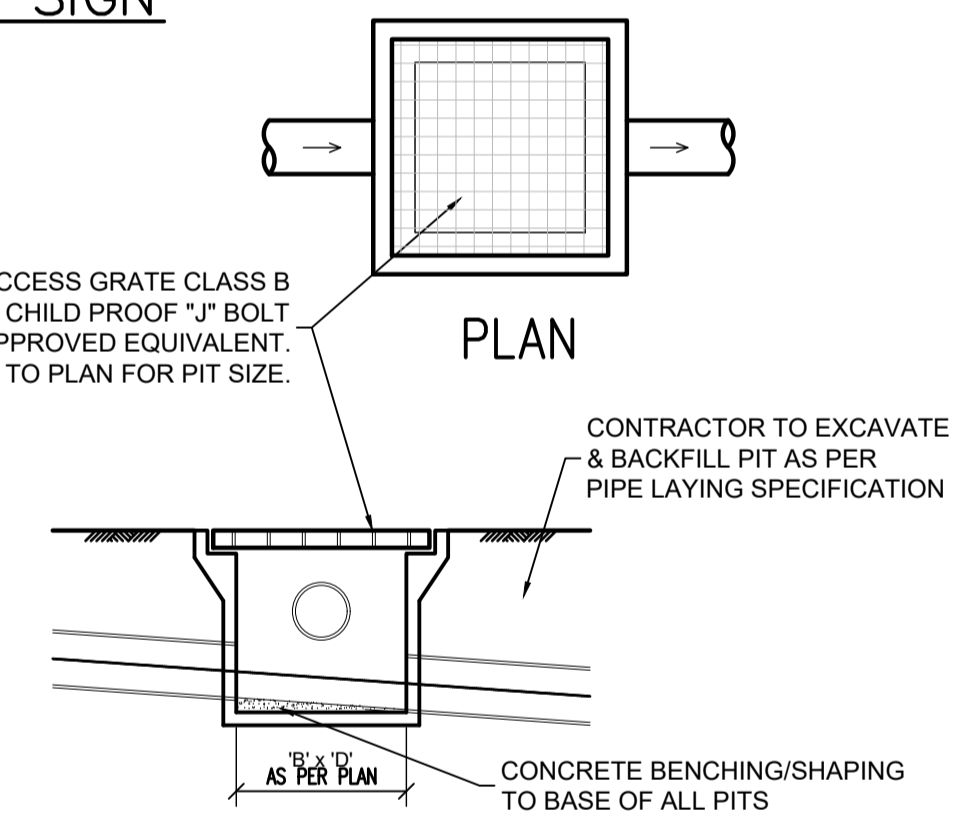
PLEASE NOTE - AS PER BASIX REPORT

- MINIMUM TANK SIZE TO BE 1000 LITRES
- MINIMUM ROOF CATCHMENT AREA OF 100 SQUARE METRES TO BE COLLECTED BY RAINWATER TANK



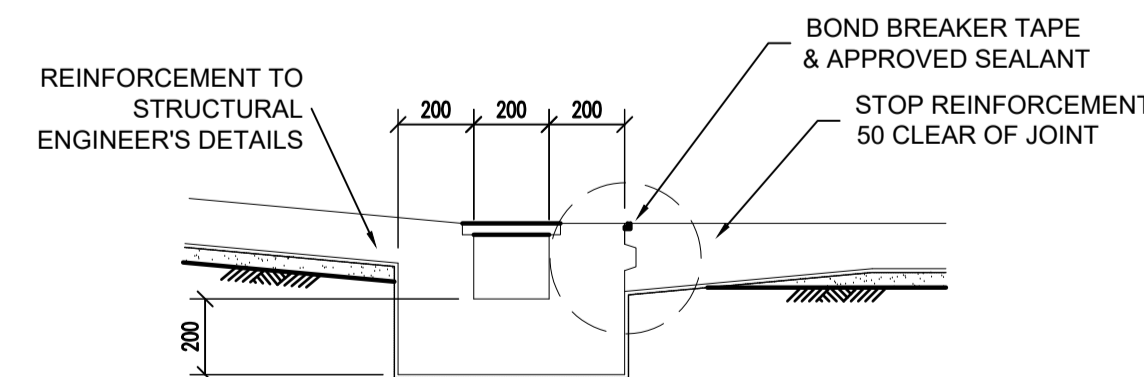
**RAINWATER SIGN**

NTS



**SECTION-TYPICAL SURFACE INLET PIT**

TYPICAL FOR ALL PITS IN NON-TRAFFIC AREAS



**SECTION-TYPICAL GRATED DRAIN**

NTS

**GROUND FLOOR DRAINAGE PLAN**

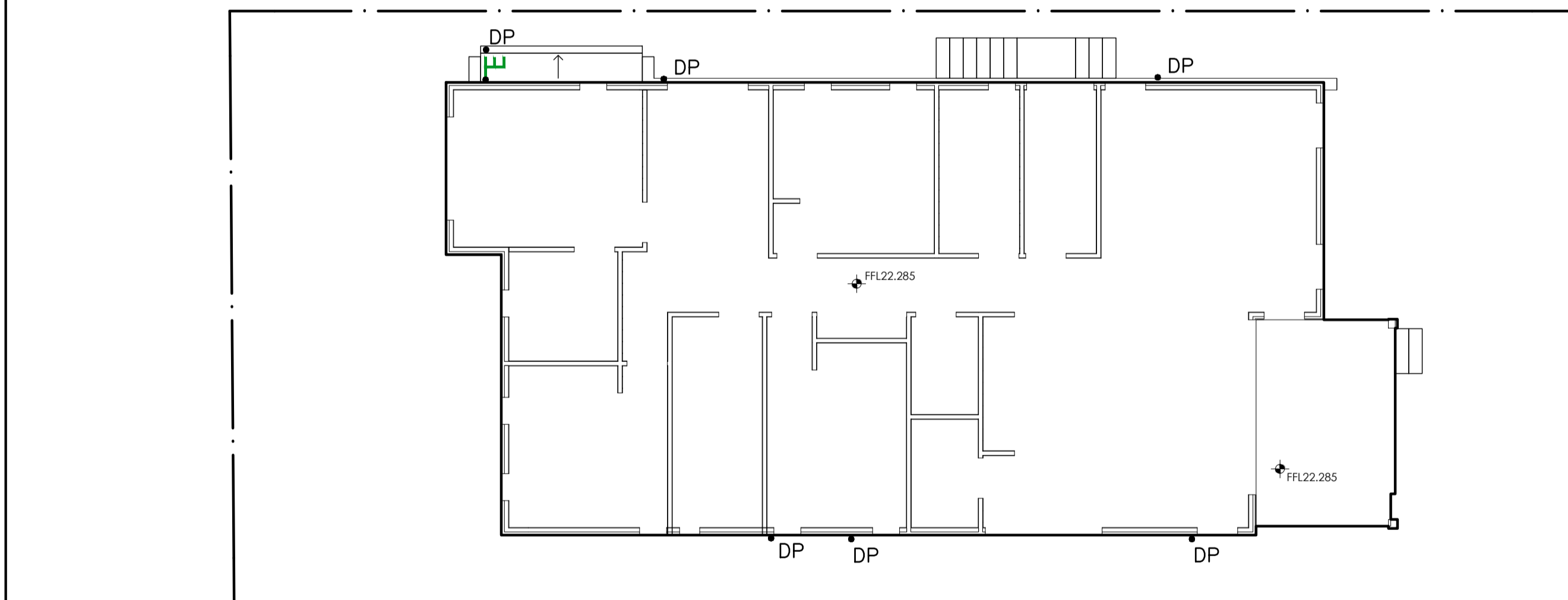
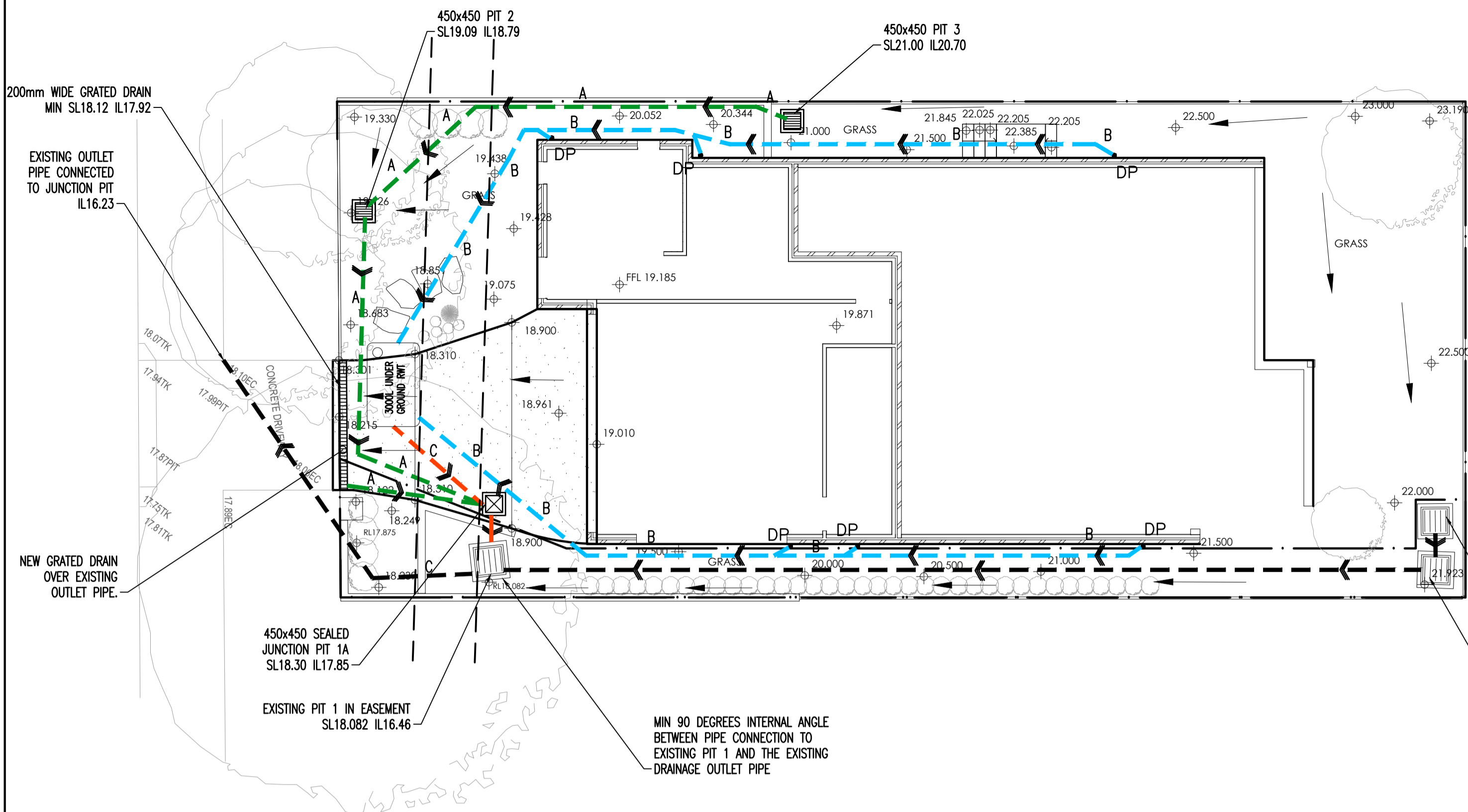
1:100 @ A1

ALL DRAINAGE LINES SHALL BE UPVC (CLASS SH) STORMWATER DRAINAGE PIPE, UNO.

ALL DRAINAGE LINES SHALL BE LAID @ 1% FALL MIN. UNO. FIRST FLUSH RAINWATER DEVICES TO BE FITTED TO DRAINAGE LINES TO BUILDER'S DETAIL, TYPICAL MINIMUM EFFECTIVE EAVES GUTTER SIZE = 6700 mm<sup>2</sup> MINIMUM EFFECTIVE EAVES GUTTER SLOPE = 1:500

THE FOLLOWING SYMBOLS & ABBREVIATIONS HAVE BEEN USED:

- DP = Ø100, UNO.
- FD = FLOOR OUTLET, REFER TO DETAIL
- SIP = SURFACE INLET PIT (NO LINTEL)
- 100Ø = Ø100 CHARGED LINE
- IP = Ø150 INSPECTION POINT
- RWH = RAIN WATER HEAD
- RWO = RAIN WATER OUTLET (300 x 300)
- FG = FLOOR GULLY Ø150
- E = RAINWATER SPREADER
- RL 16.85 = PROPOSED FINISHED SURFACE LEVEL



**LEGEND**

RL 00.000	NEW REDUCED LEVEL
GFL 00.00	GROUND FLOOR LEVEL
FFL 00.00	FINISH FLOOR LEVEL
A,B,C,D, etc.	REFER TO PIPE SCHEDULE
L1	PIPE LABEL
PIT P1	SURFACE INLET PIT
● DP	DOWNPIPE
□ RWH	RAIN WATER HEAD
▣	PIT: SIZE AS MARKED
▣	SEALED PIT: SIZE AS MARKED
▬	W:200mm x D:200mm GRATED DRAIN
→	GROUND FALL
→	OVERLAND FLOW
---	UPVC PIPE TO RAIN WATER TANK
---	UPVC DRAINAGE PIPE IN GROUND
---	RWT OVERFLOW PIPE & OUTLET PIPE
---	EXISTING DRAINAGE EASEMENT PIPE



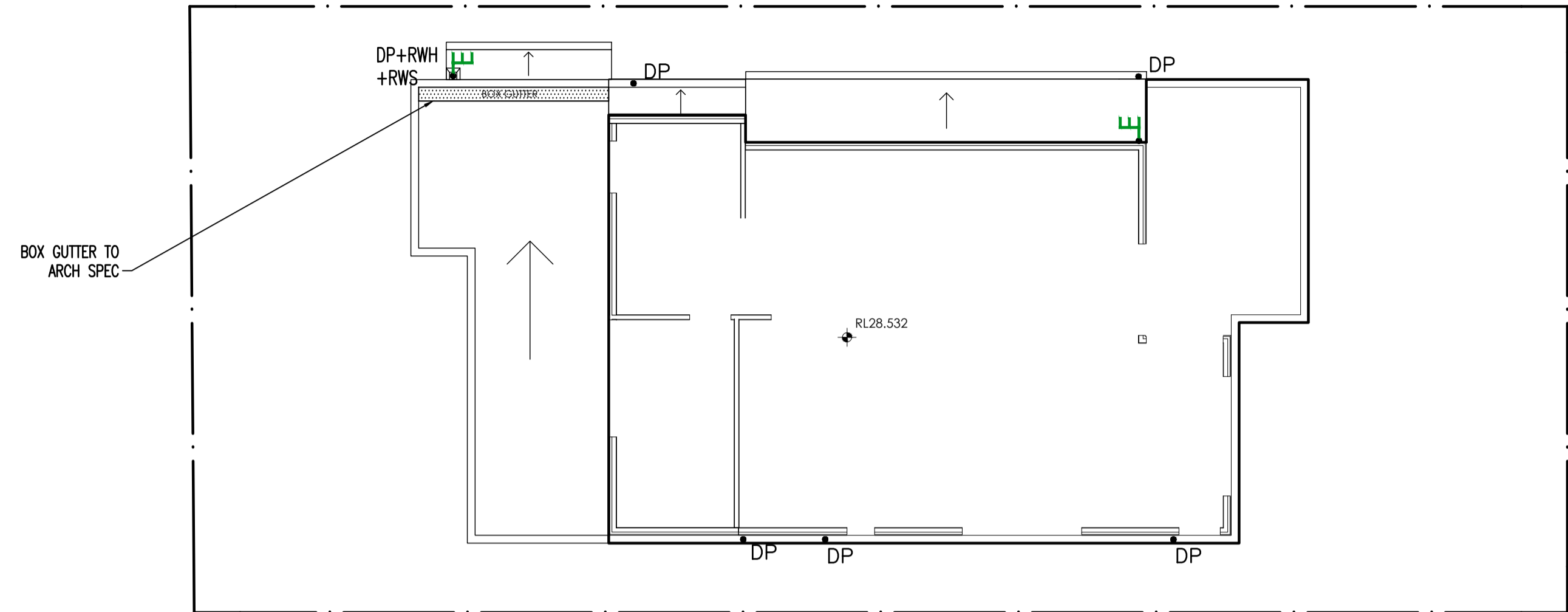
REVISION	AMENDMENT	ISSUE DATE	ISSUE	ISSUED TO	ISSUE DATE
G	ISSUED FOR APPROVAL	01/06/2023			
F	ISSUED FOR APPROVAL	19/05/2023			
E	ISSUED FOR APPROVAL	18/05/2023			
D	RWT MOVED	11/05/2023			
C	MINOR AMENDMENTS	05/10/2022			
B	MINOR AMENDMENTS	27/09/2022			
A	PRELIMINARY DESIGN	20/09/2022			



SUITE 303 / 29-31 LEXINGTON DRIVE  
NORWEST BUSINESS PARK,  
BELLA VISTA N.S.W. 2153  
ALL CORRESPONDENCE TO:  
P.O. BOX 6080 BAULKHAM HILLS BC  
BAULKHAM HILLS NSW 2153  
PH. 8814 6191 FAX 8814 5301 MOB. 0425 270 333  
EMAIL. andrew@camconsulting.com.au

PROJECT  
PROPOSED DEVELOPMENT  
LOT 2, 6 ORCHARD STREET  
WARRIEWOOD  
CLIENT  
SKYCORP  
ARCHITECT / PROJECT MANAGER  
PTI ARCHITECTURE

DRAWING TITLE			
BASEMENT AND GROUND FLOOR DRAINAGE LAYOUT PLAN			
SCALES	DESIGNED	DRAFTED	
A1 - 1:100	A.C.	M.W.	
DRAWING NO.	APPROVED	REVISION	
C22065-SW 100	A.C.	G	



### FIRST FLOOR DRAINAGE PLAN

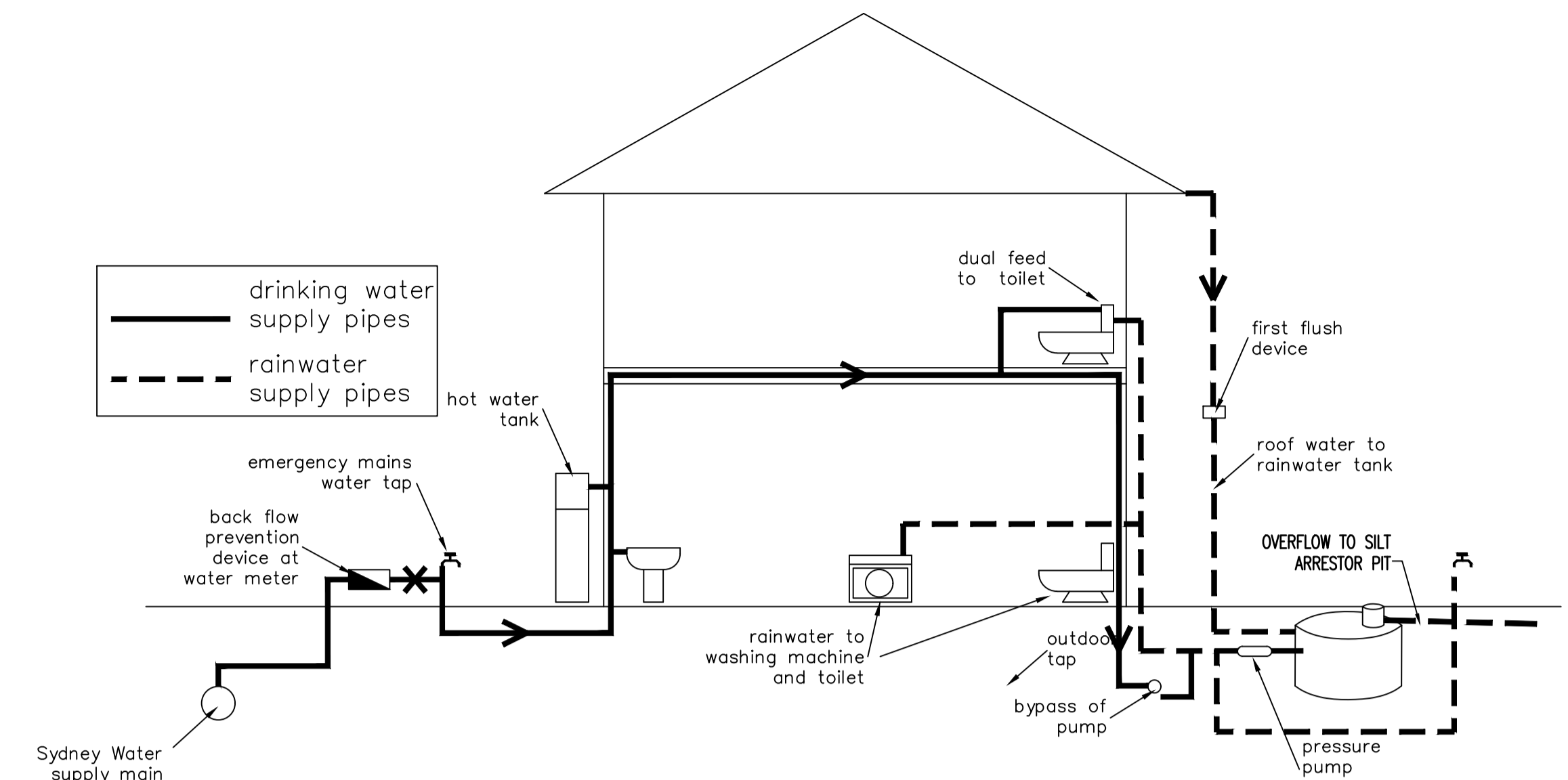
1:100 @ A1

ALL DRAINAGE LINES SHALL BE UPVC (CLASS SH) STORMWATER DRAINAGE PIPE, UNO.

ALL DRAINAGE LINES SHALL BE LAID @ 1% FALL MIN, UNO. FIRST FLUSH RAINWATER DEVICES TO BE FITTED TO DRAINAGE LINES TO BUILDER'S DETAIL. TYPICAL MINIMUM EFFECTIVE EAVES GUTTER SIZE = 6700 mm<sup>2</sup> MINIMUM EFFECTIVE EAVES GUTTER SLOPE = 1:500

THE FOLLOWING SYMBOLS & ABBREVIATIONS HAVE BEEN USED:

- DP = Ø100, UNO.
- FD = FLOOR OUTLET, REFER TO DETAIL
- SIP = SURFACE INLET PIT (NO LINTEL)
- 100Ø = Ø100 CHARGED LINE
- IP = Ø150 INSPECTION POINT
- RWH = RAIN WATER HEAD
- RWO = RAIN WATER OUTLET (300 x 300)
- FG = FLOOR GULLY Ø150
- E = RAINWATER SPREADER
- RL 16.85 = PROPOSED FINISHED SURFACE LEVEL

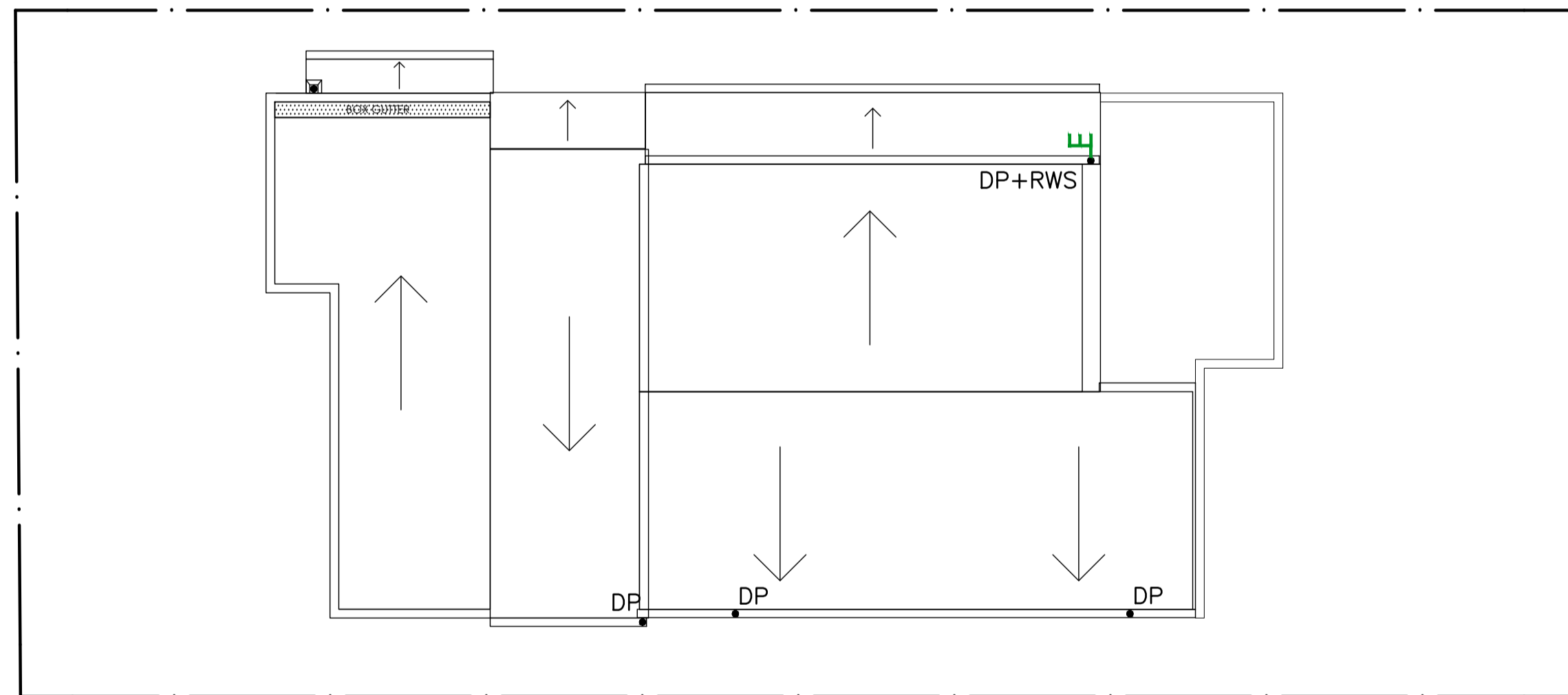


### RAINWATER TANK EXPLANATORY DIAGRAM

SCALE : NTS

NOTE:

1. TANK WATER IS NOT RECOMMENDED FOR HUMAN CONSUMPTION.
2. A SIGN STATING NOT FOR DRINKING MUST BE AFFIXED TO THE TANK AND OR TAP FIXTURE
3. ANY PUMP INSTALLED FOR THE RAINWATER TANKS IS TO BE NO LOUDER THAN 5dB(A) ABOVE BACKGROUND NOISE LEVELS



### ROOF DRAINAGE PLAN

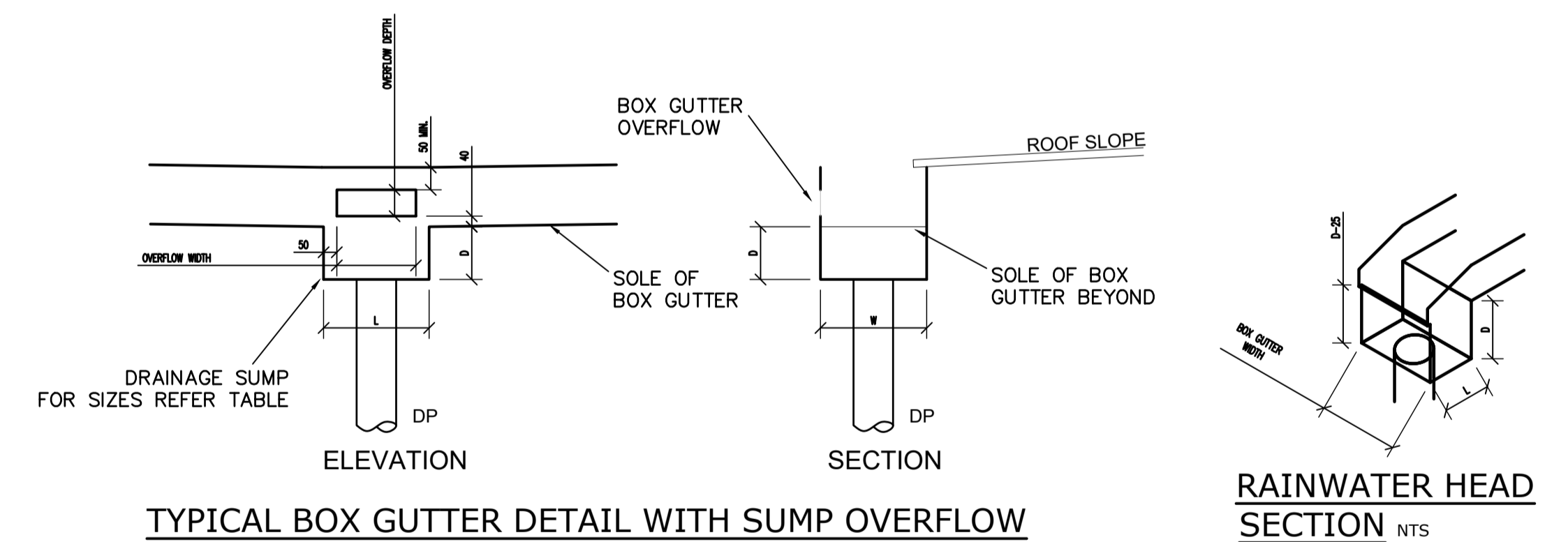
1:100 @ A1

ALL DRAINAGE LINES SHALL BE UPVC (CLASS SH) STORMWATER DRAINAGE PIPE, UNO.

ALL DRAINAGE LINES SHALL BE LAID @ 1% FALL MIN, UNO. FIRST FLUSH RAINWATER DEVICES TO BE FITTED TO DRAINAGE LINES TO BUILDER'S DETAIL. TYPICAL MINIMUM EFFECTIVE EAVES GUTTER SIZE = 6700 mm<sup>2</sup> MINIMUM EFFECTIVE EAVES GUTTER SLOPE = 1:500

THE FOLLOWING SYMBOLS & ABBREVIATIONS HAVE BEEN USED:

- DP = Ø100, UNO.
- FD = FLOOR OUTLET, REFER TO DETAIL
- SIP = SURFACE INLET PIT (NO LINTEL)
- 100Ø = Ø100 CHARGED LINE
- IP = Ø150 INSPECTION POINT
- RWH = RAIN WATER HEAD
- RWO = RAIN WATER OUTLET (300 x 300)
- FG = FLOOR GULLY Ø150
- E = RAINWATER SPREADER
- RL 16.85 = PROPOSED FINISHED SURFACE LEVEL



### TYPICAL BOX GUTTER DETAIL WITH SUMP OVERFLOW

1:20

BOX GUTTER, RAINWATER HEAD & SUMP SIZING SCHEDULE					
NODE	BOX GUTTER SIZE	RAINWATER HEAD SIZE	SUMP SIZE	OVERFLOW TO SUMP	DOWNPIPE Ø mm
BG1	300W x 150D	150Lx300Wx200H	200L X 150D	200W X 100H	150

### RAINWATER HEAD SECTION

NTS

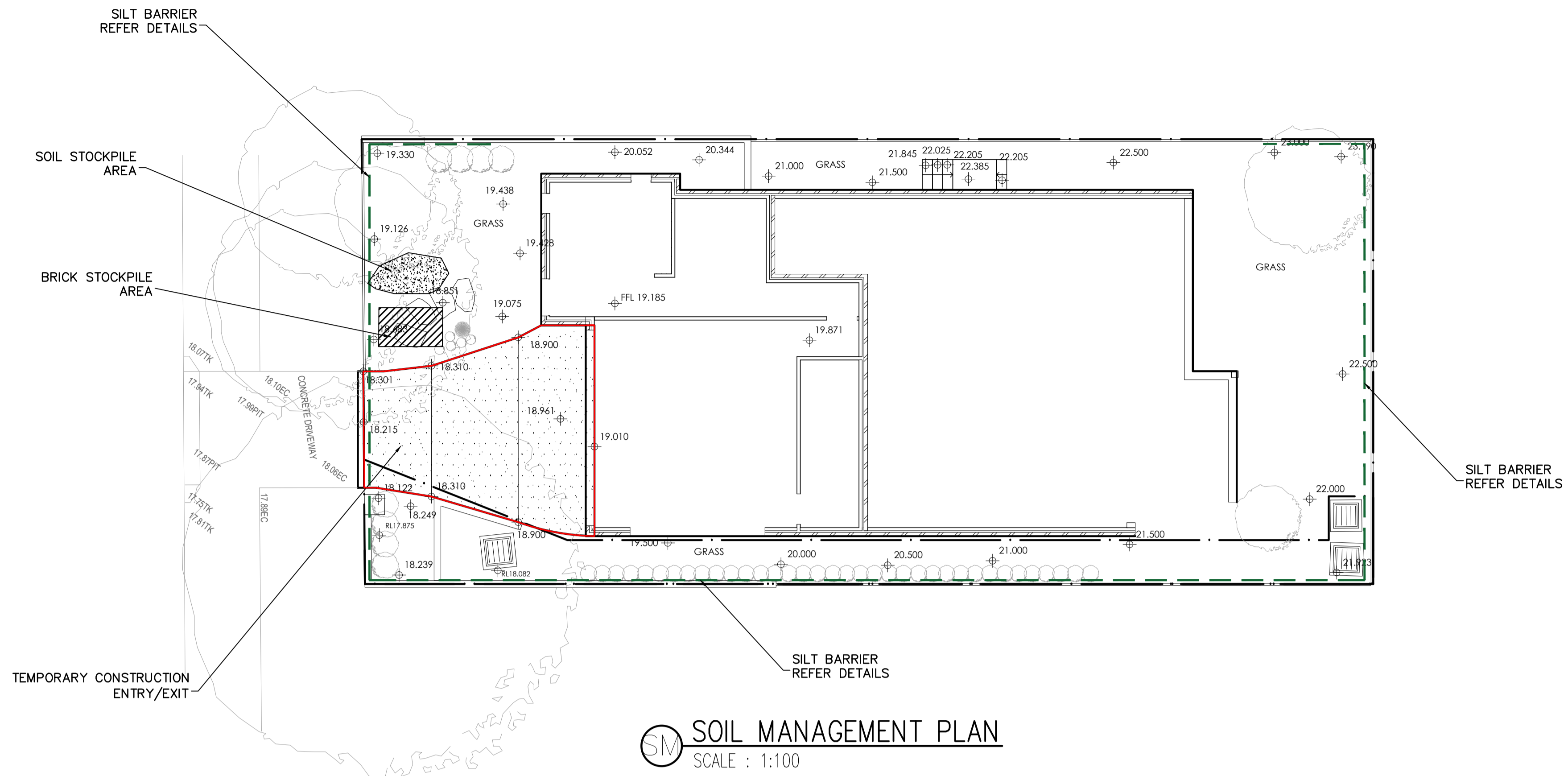
REVISION	AMENDMENT	ISSUE DATE	ISSUE	ISSUED TO	ISSUE DATE
G	ISSUED FOR APPROVAL	01/06/2023			
F	ISSUED FOR APPROVAL	19/05/2023			
E	ISSUED FOR APPROVAL	18/05/2023			
D	RWT MOVED	11/05/2023			
C	MINOR AMENDMENTS	05/10/2022			
B	MINOR AMENDMENTS	27/09/2022			
A	PRELIMINARY DESIGN	20/09/2022			



SUITE 303 / 29-31 LEXINGTON DRIVE  
 NORWEST BUSINESS PARK,  
 BELLA VISTA N.S.W. 2153  
 ALL CORRESPONDENCE TO:  
 P.O. BOX 6080 BAULKHAM HILLS BC  
 BAULKHAM HILLS NSW 2153  
 PH. 8814 6191 FAX 8814 5301 MOB. 0425 270 333  
 EMAIL. andrew@camconsulting.com.au

PROJECT  
 PROPOSED DEVELOPMENT  
 LOT 2, 6 ORCHARD STREET  
 WARRIEWOOD  
 CLIENT  
 SKYCORP  
 ARCHITECT / PROJECT MANAGER  
 PTI ARCHITECTURE

DRAWING TITLE			
FIRST FLOOR AND ROOF DRAINAGE PLAN			
SCALES A1 - 1:100	DESIGNED A.C.	DRAFTED M.W.	
DRAWING NO. C22065-SW 101	APPROVED A.C.	REVISION G	



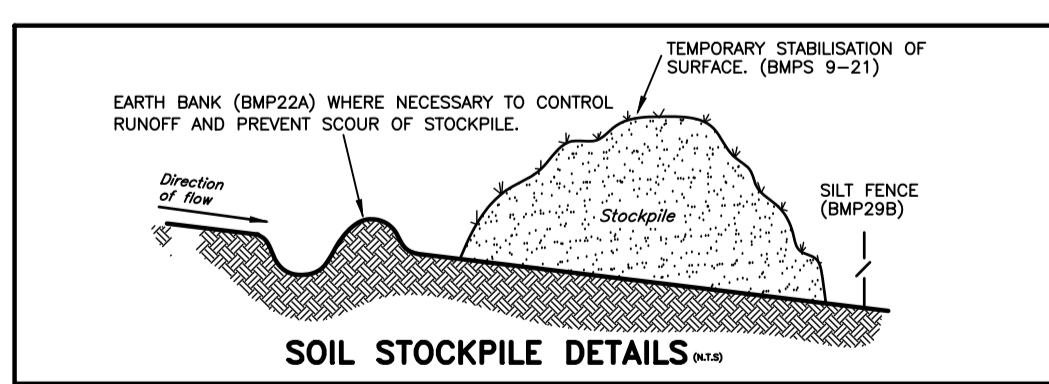
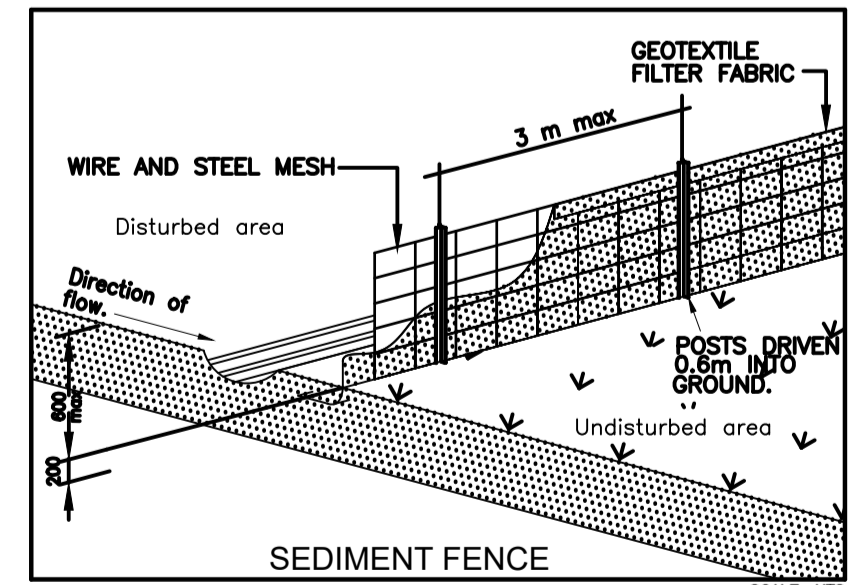
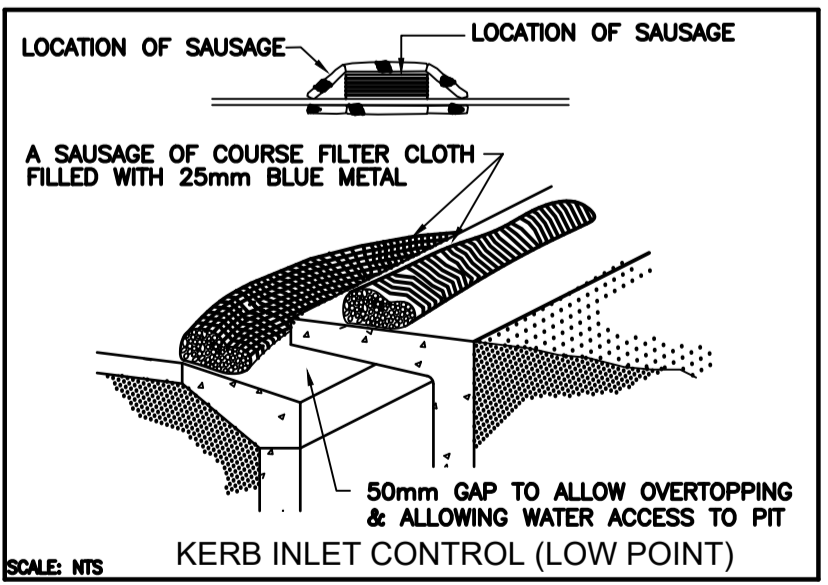
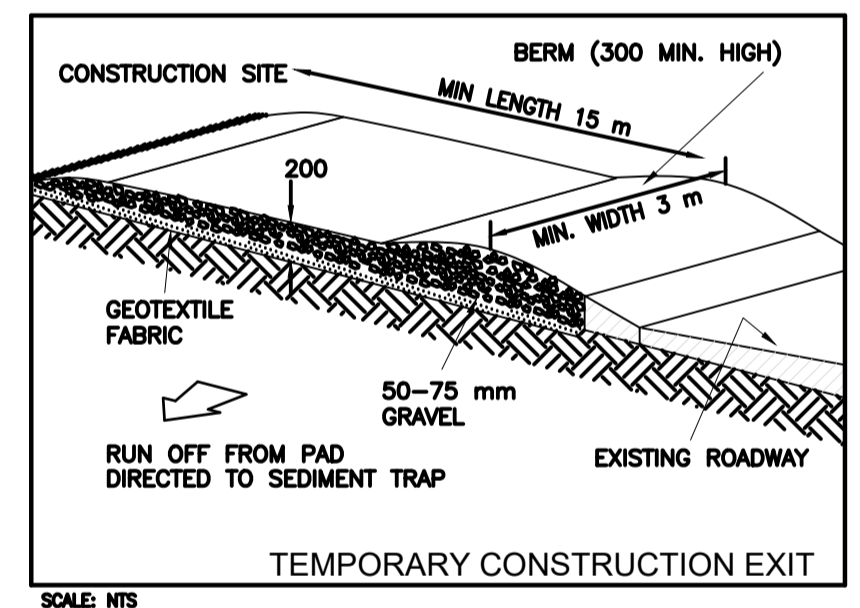
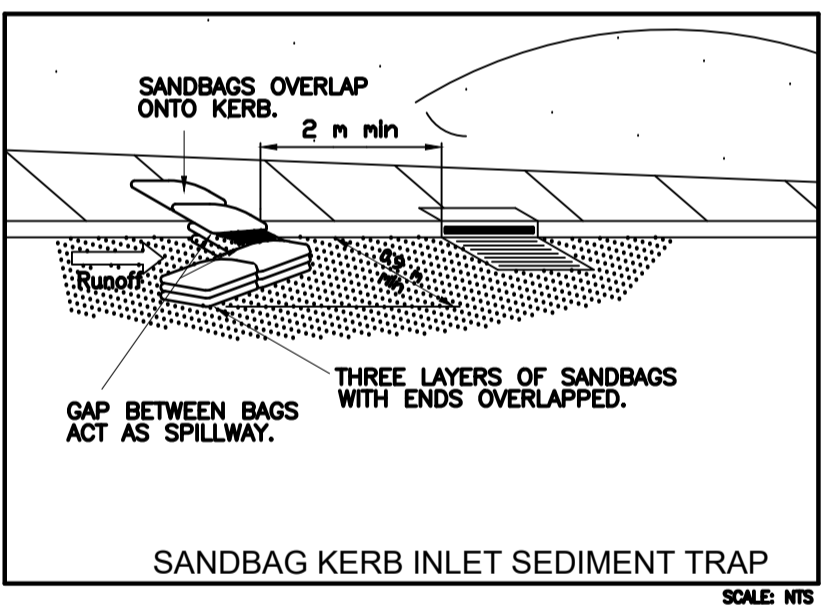
**SM SOIL MANAGEMENT PLAN**  
SCALE : 1:100

**SOIL EROSION CONTROL INSTRUCTIONS**

- EARTH BATTERS WILL BE CONSTRUCTED WITH AS LOW AS A GRADIENT AS PRACTICABLE BUT NO STEEPER, UNLESS OTHERWISE NOTED, THAN:
  - 2(H):1(V) WHERE SLOPE LENGTH LESS THAN 12 METRES
  - 2.5(H):1(V) WHERE SLOPE LENGTH BETWEEN 12 & 16 METRES
  - 3(H):1(V) WHERE SLOPE LENGTH BETWEEN 16 & 20 METRES
  - 4(H):1(V) WHERE SLOPE LENGTH GREATER THAN 20 METRES
- ALL WATERWAYS, DRAINS, SPILLWAYS AND THEIR OUTLETS WILL BE CONSTRUCTED TO BE STABLE IN AT LEAST THE 1:20 YEAR ARI, TIME OF CONCENTRATION STORM EVENT.
- WATERWAYS AND OTHER AREAS SUBJECT TO CONCENTRATED FLOWS AFTER CONSTRUCTION ARE TO HAVE A MAXIMUM GROUND COVER C-FACTOR OF 0.05 (70% GROUND COVER) WITHIN 10 WORKING DAYS FROM COMPLETION OF FORMATION. FLOW VELOCITIES ARE TO BE LIMITED TO THOSE SHOWN IN TABLE 5-1 OF "MANAGING URBAN STORMWATER - SOILS AND CONSTRUCTION DEPT OF HOUSING 1998 (BLUE BOOK). FOOT AND VEHICULAR TRAFFIC WILL BE PROHIBITED IN THESE AREAS.
- STOCKPILES AFTER CONSTRUCTION ARE TO HAVE A MAXIMUM GROUND COVER C-FACTOR OF 0.1 (60% GROUND COVER) WITHIN 10 WORKING DAYS FROM COMPLETION OF FORMATION.
- ALL LANDS, INCLUDING WATERWAYS AND STOCKPILES, DURING CONSTRUCTION ARE TO HAVE A MAXIMUM GROUND COVER C-FACTOR OF 0.15 (50% GROUND COVER) WITHIN 20 WORKING DAYS FROM INACTIVITY EVEN THOUGH WORKS MAY CONTINUE LATER.
- FOR AREAS OF SHEET FLOW USE THE FOLLOWING GROUND COVER PLANT SPECIES FOR TEMPORARY COVER: JAPANESE MILLET 20KG/HA AND OATS.
- PERMANENT REHABILITATION OF LANDS AFTER CONSTRUCTION WILL ACHIEVE A GROUND COVER C-FACTOR OF LESS THAN 0.1 AND LESS THAN 0.05 WITHIN 60 DAYS. NEWLY PLANTED LANDS WILL BE WATERED REGULARLY UNTIL AN EFFECTIVE COVER IS ESTABLISHED AND PLANTS ARE GROWING VIGOROUSLY. FOLLOW-UP SEED AND FERTILISER WILL BE APPLIED AS 20KG/HA
- REVEGETATION SHOULD BE AIMED AT RE-ESTABLISHING NATURAL SPECIES. NATURAL SURFACE SOILS SHOULD BE REPLACED AND NON-PERSISTANT ANNUAL COVER CROPS SHOULD BE USED.

**DUST CONTROL INSTRUCTIONS**

- ALL STOCKPILED MATERIAL OR SEDIMENT COLLECTION TO BE SPRAYED BY LIGHTLY WIDE ANGLED WATER
- THIS TEMPORARY MECHANICAL METHOD CONFINES AND SETTLES THE DUST FROM THE AIR BY DUST AND WATER PARTICLE ADHESION. WATER IS SPRAYED THROUGH NOZZELS OVER THE PROBLEM AREA.



G	ISSUED FOR APPROVAL	01/06/2023			
F	ISSUED FOR APPROVAL	19/05/2023			
E	ISSUED FOR APPROVAL	18/05/2023			
D	RWT MOVED	11/05/2023			
C	MINOR AMENDMENTS	05/10/2022			
B	MINOR AMENDMENTS	27/09/2022			
A	PRELIMINARY DESIGN	20/09/2022			
REVISION	AMENDMENT	ISSUE DATE	ISSUE	ISSUED TO	ISSUE DATE

**CAM CONSULTING**  
STRUCTURAL & CIVIL ENGINEERS

SUITE 303 / 29-31 LEXINGTON DRIVE  
NORWEST BUSINESS PARK,  
BELLA VISTA N.S.W. 2153

ALL CORRESPONDENCE TO:  
P.O. BOX 6080 BAULKHAM HILLS BC  
BAULKHAM HILLS NSW 2153

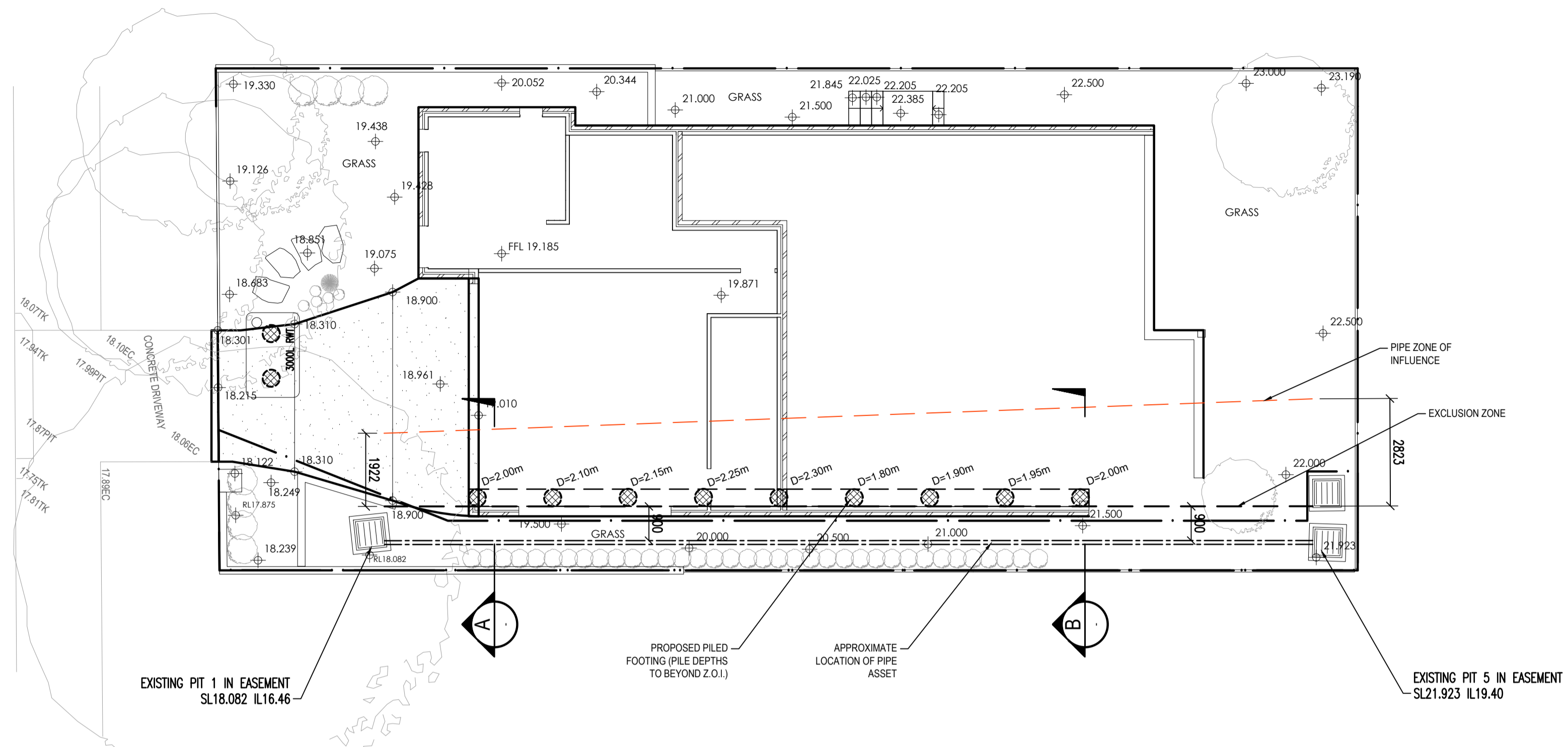
PH. 8814 6191 FAX 8814 5301 MOB. 0425 270 333  
EMAIL. andrew@camconsulting.com.au

PROJECT  
**PROPOSED DEVELOPMENT  
LOT 2, 6 ORCHARD STREET  
WARRIEWOOD**

CLIENT  
**SKYCORP**

ARCHITECT / PROJECT MANAGER  
**PTI ARCHITECTURE**

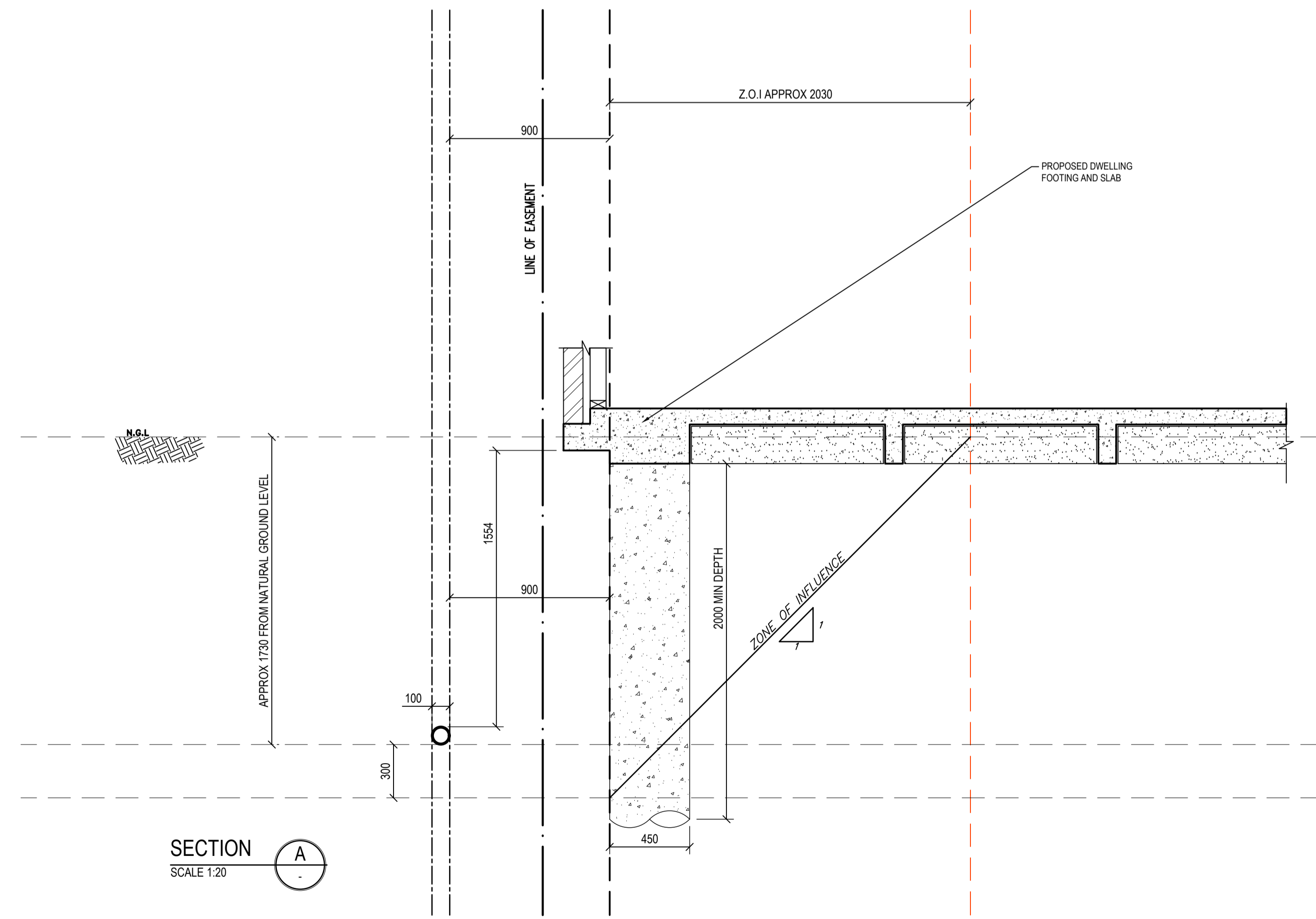
DRAWING TITLE <b>SOIL MANAGEMENT PLAN</b>			
SCALES A1 - 1:100	DESIGNED A.C.	DRAFTED M.W.	
DRAWING NO. C22065-SW 102	APPROVED A.C.	REVISION G	



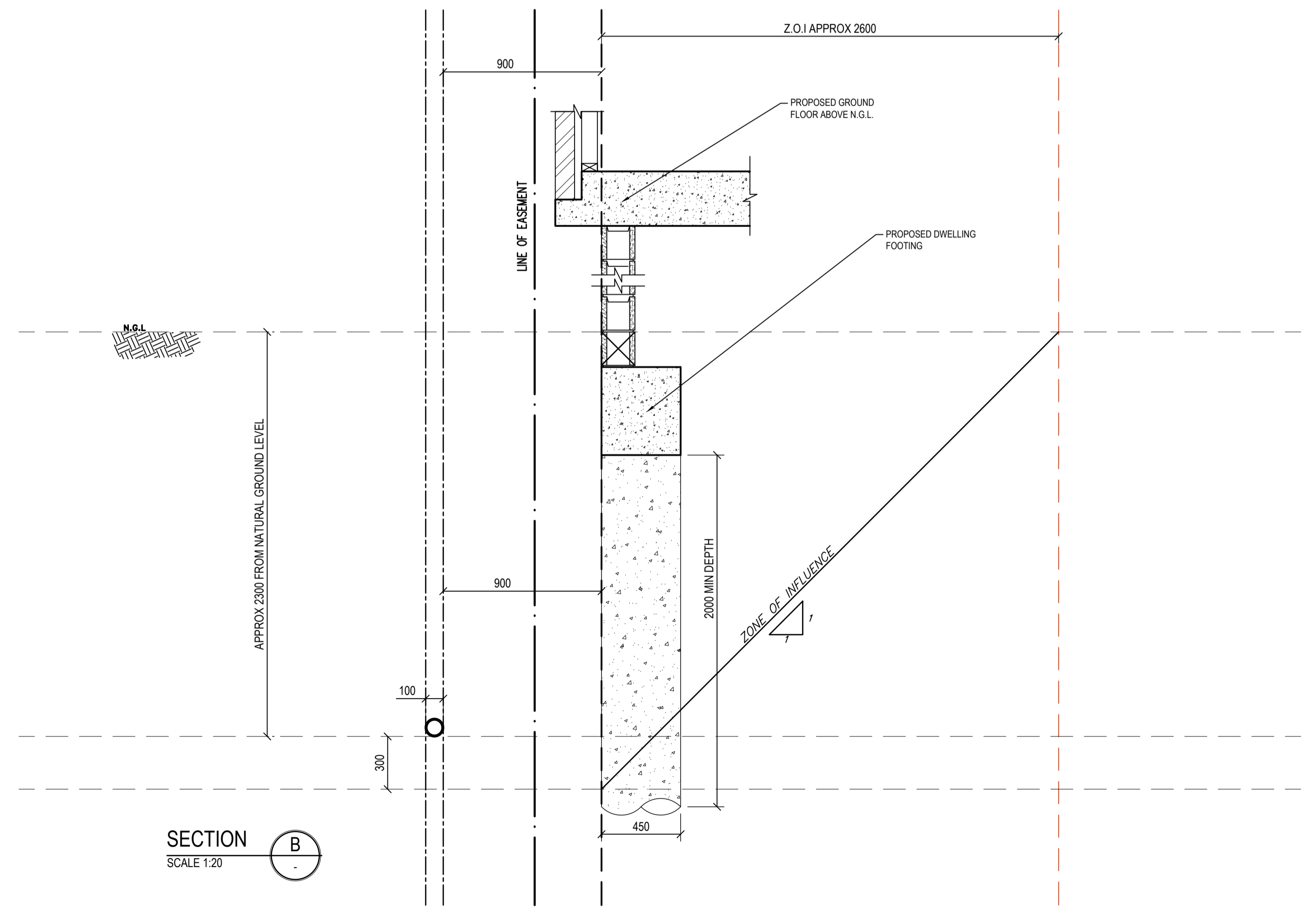
**LEGEND**

- ⊕ DENOTES MINIMUM DEPTH OF PIER
- ⊗ DENOTES PIERS IN EFFECTED ZONE OF INFLUENCE (Z.O.I). MINIMUM DEPTH FOR STORMWATER REQUIREMENTS ONLY. REFER TO ENGINEERING PLANS FOR BEARING AND REINFORCEMENT.

**F DWELLING FOOTING LAYOUT ADJACENT TO EASEMENT**  
SCALE 1:100



SECTION A  
SCALE 1:20



SECTION B  
SCALE 1:20

G	ISSUED FOR APPROVAL	01/06/2023			
F	ISSUED FOR APPROVAL	19/05/2023			
E	ISSUED FOR APPROVAL	18/05/2023			
D	RWT MOVED	11/05/2023			
C	MINOR AMENDMENTS	05/10/2022			
B	MINOR AMENDMENTS	27/09/2022			
A	PRELIMINARY DESIGN	20/09/2022			
REVISION	AMENDMENT	ISSUE DATE	ISSUE	ISSUED TO	ISSUE DATE



SUITE 303 / 29-31 LEXINGTON DRIVE  
NORWEST BUSINESS PARK,  
BELLA VISTA N.S.W. 2153  
ALL CORRESPONDENCE TO:  
P.O. BOX 6080 BAULKHAM HILLS BC  
BAULKHAM HILLS NSW 2153  
PH. 8814 6191 FAX 8814 5301 MOB. 0425 270 333  
EMAIL. andrew@camconsulting.com.au

PROJECT  
**PROPOSED DEVELOPMENT  
LOT 2, 6 ORCHARD STREET  
WARRIWOOD**  
CLIENT  
**SKYCORP**  
ARCHITECT / PROJECT MANAGER  
**PTI ARCHITECTURE**

DRAWING TITLE <b>DWELLING FOOTING LAYOUT ADJACENT TO EASEMENT STORMWATER ASSET</b>		
SCALES A1 - 1:100	DESIGNED A.C.	DRAFTED M.W.
DRAWING NO. C22065-SW 103	APPROVED A.C.	REVISION G