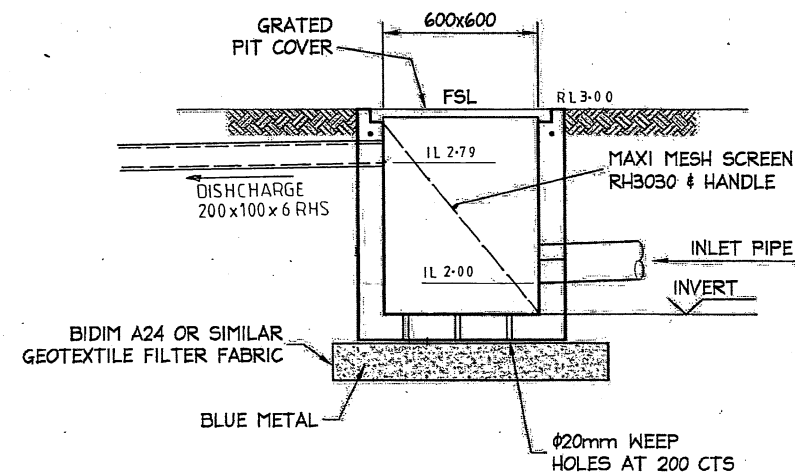


**Stormwater Notes**

- DP denotes new downpipe
- All pipes to be 100mm dia. unless noted otherwise.
- All pipes to be UPVC to AS 1254 -1973 unless noted otherwise.
- All pipes to be laid at 1% minimum grade unless noted otherwise.
- All downpipes to be 90mm unless noted otherwise.
- Down pipe locations to be confirmed on site.
- Provide cleaning eyes at all down pipes.
- All work to be in accordance with local council standards and specifications.
- All levels shown are to AHD.
- Ensure all pits and stormwater pipes are located clear from tree root systems.
- All works to be in accordance with AS 3500 -1990 National Plumbing and Drainage Code Part 3 - Stormwater Drainage

**Rainwater Re-use Tanks**

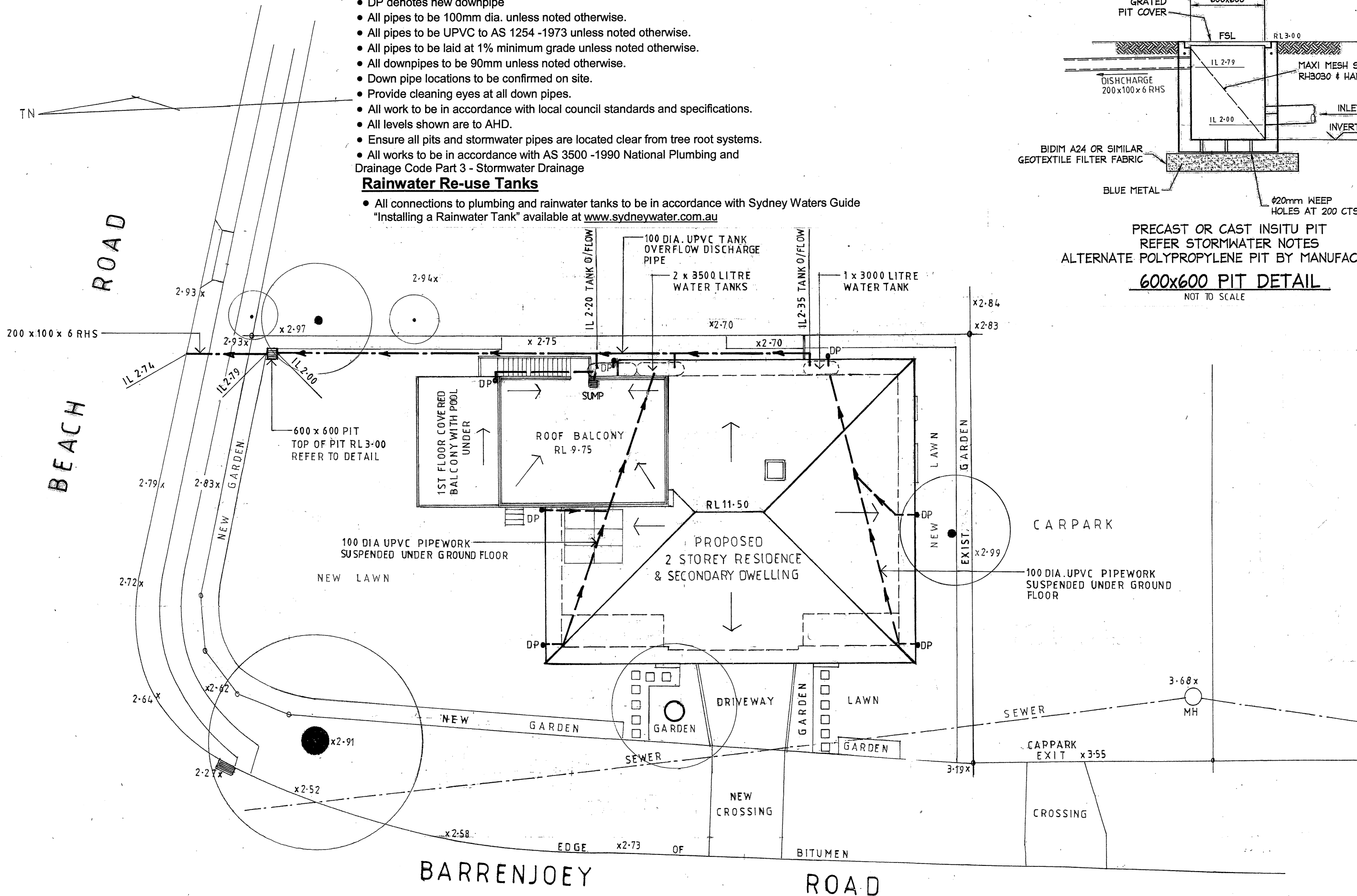
- All connections to plumbing and rainwater tanks to be in accordance with Sydney Waters Guide "Installing a Rainwater Tank" available at [www.sydneywater.com.au](http://www.sydneywater.com.au)



PRECAST OR CAST INSITU PIT  
REFER STORMWATER NOTES  
ALTERNATE POLYPROPYLENE PIT BY MANUFACTURER

**600x600 PIT DETAIL**

NOT TO SCALE



**STORMWATER PLAN**

	lic 139095c abn 44 002 281 263 info@beecraft.com.au www.beecraft.com.au 9450 1530 6a larool rd terrey hills nsw		NEW RESIDENCE & SECONDARY DWELLING 1186 BARRENJOEY ROAD, PALM BEACH LOT 1 DP1050253	
	DATE SEPT. 2016	DRAWN J. WRIGHT	STORMWATER PLAN	DRG. BAR-12