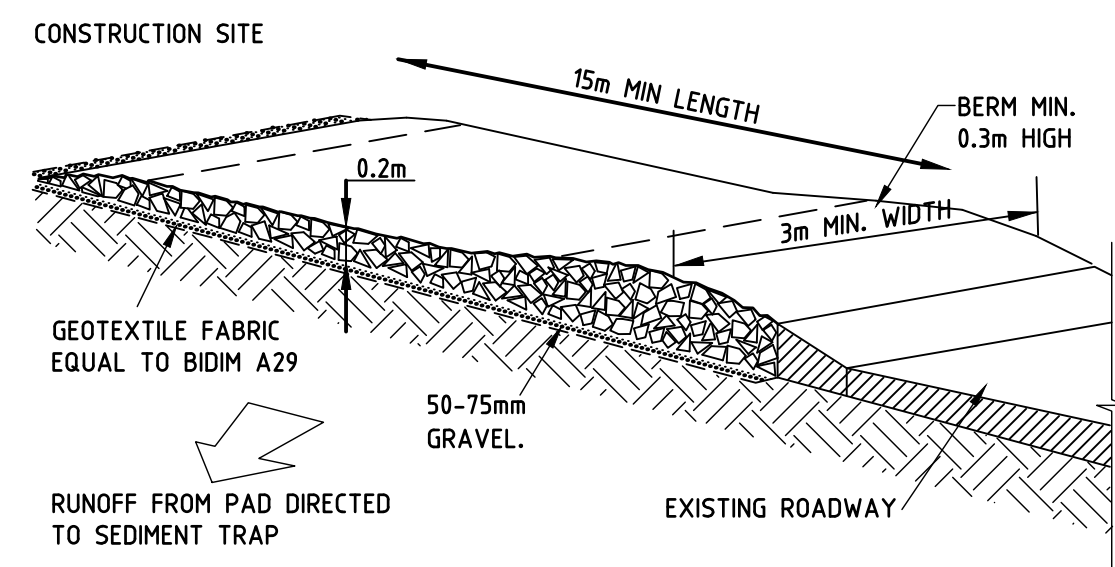
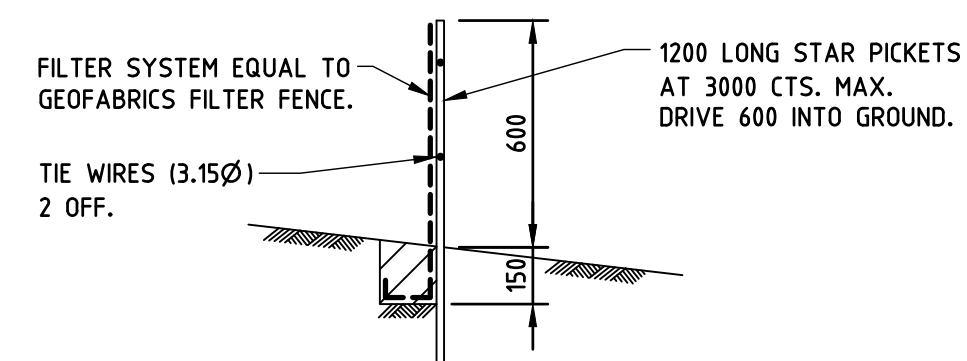


	SILT FENCE/ SILT TRAP.
	TEMPORARY CONSTRUCTION ENTRY/EXIT

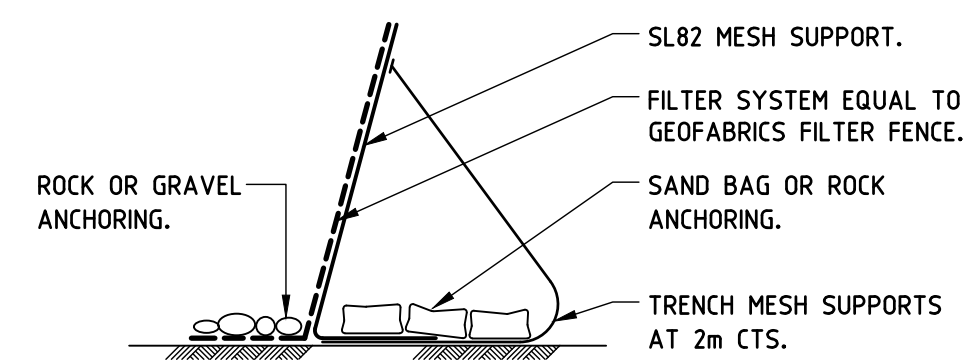
PROVIDE SILT FENCE TO LOW SIDE OF AREA OF WORKS (TYP). LOCATION TO BE ADAPTED ONSITE TO SUIT CONSTRUCTION STAGING AS REQUIRED. REFER TO DETAIL.



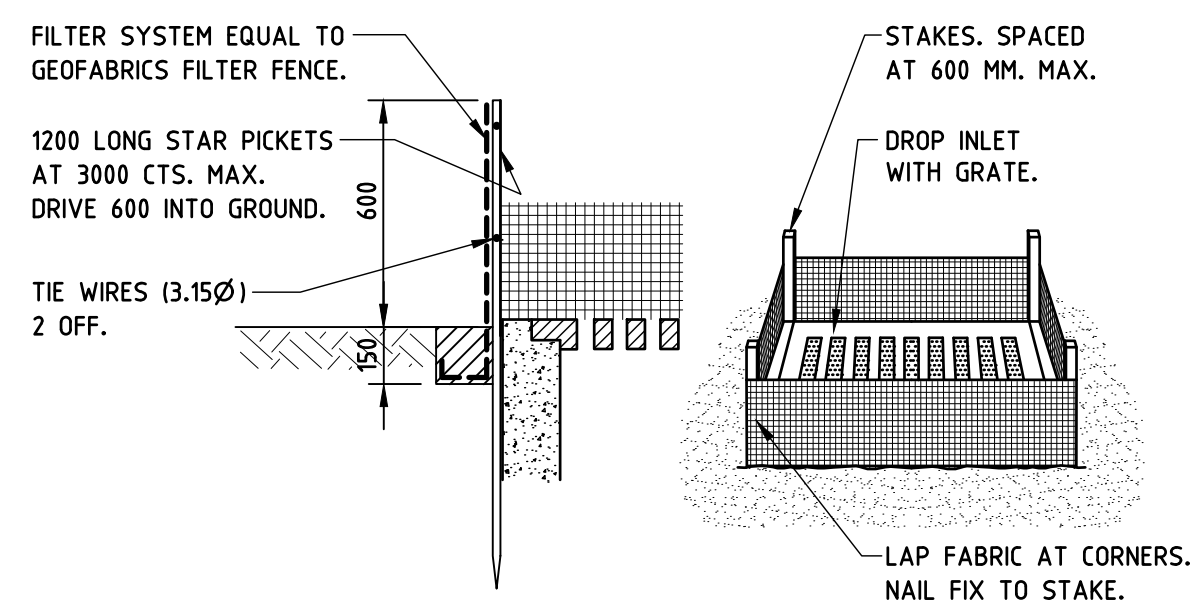
TEMPORARY CONSTRUCTION ENTRY/EXIT
TO BE LOCATED AT VEHICLE EXIT FROM SITE



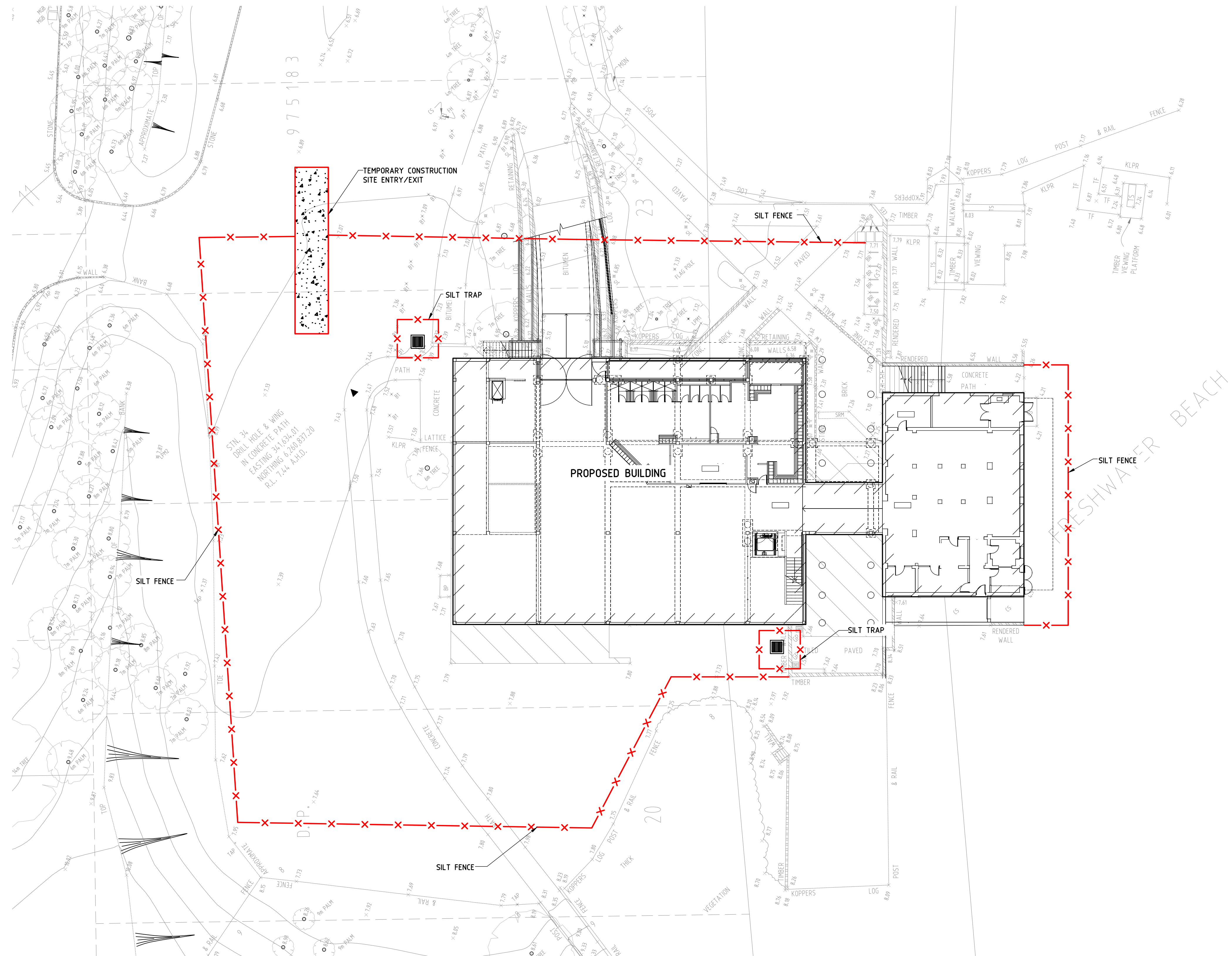
SILT FENCE DETAIL
TO BE PLACED AROUND LOW SIDE OF PROPERTY BOUNDARY AND AROUND STORMWATER INLET STRUCTURES TO PREVENT SOIL WASHING OFF SITE.



SILT FENCE DETAIL.
NTS

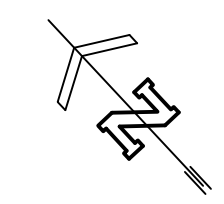


GEOTEXTILE FILTER FABRIC DROP INLET SEDIMENT TRAP.



No.	Date	Description	Ver.	Appr.
P1	22.02.23	DRAFT ISSUE	LN	JC
P2	28.06.23	DRAFT ISSUE	LN	JC

PROGRESS PRINT



ARCHITECT
BONUS + ASSOCIATES
LEVEL 1, 597 DARLING STREET
ROZELLE NSW 2039

Woolacotts
CONSULTING ENGINEERS
T +61 2 8203 1500 | www.woolacotts.com.au
Suite 6.02 Level 6, 67 Albert Ave, Chatswood NSW 2067
This drawing is copyright and must not be used, reproduced or copied in any way without written permission of Woolacotts Consulting Engineers Pty Ltd.

ALTERATIONS AND ADDITIONS
FRESHWATER SURF LIFE SAVING CLUB
Scale @ A1
1:200, 1:20
EROSION & SEDIMENT CONTROL
PLAN AND DETAILS

Date FEBRUARY 2023	Approved J.C. 29.05.23	Verified L.N. 29.05.23	Prepared Y.S. 29.05.23
Job number 23-25	Drawing number ES1	Amendment P2	

GENERAL NOTES

- G1 THESE DRAWINGS SHALL BE READ IN CONJUNCTION WITH ALL OTHER CONSULTANTS DRAWINGS, SPECIFICATIONS AND AS1100 TECHNICAL DRAWING.
- G2 ANY DISCREPANCIES SHALL BE REFERRED TO THE AUTHORISED PERSON FOR DECISION BEFORE PROCEEDING WITH THE WORK.
- G3 DIMENSIONS SHALL NOT BE OBTAINED BY SCALING THE DRAWINGS.
- G4 ANY SET OUT DIMENSIONS SHOWN ON THE DRAWING SHALL BE VERIFIED BY THE BUILDER.
- G5 DURING CONSTRUCTION THE CONTRACTOR SHALL MAINTAIN THE WORKS IN A STABLE CONDITION AND NO PART SHALL BE OVERSTRESSED.
- G6 ALL WORK SHALL COMPLY WITH THE BUILDING CODE OF AUSTRALIA, CONDITIONS OF THE DEVELOPMENT CONSENT AND RELEVANT AUSTRALIAN STANDARD CODES.

EROSION CONTROL NOTES

- E1 INSTALL SILT FENCES ON LOW SIDE OF SITE AND AS REQUIRED BY LOCAL COUNCIL PRIOR TO COMMENCEMENT OF TOPSOIL STRIPPING.
- E2 INSTALL DRAINAGE SYSTEM AND SILT FENCES AROUND PITS AS SOON AS PRACTICABLE.
- E3 REINSTATE GRASS COVER AS SOON AS PRACTICABLE.

DRAINAGE NOTES

- D1 ALL WORKS SHALL BE IN ACCORDANCE WITH AS3500.3
- D2 FOR PIPE DIAMETERS NOT EXCEEDING 150mm, USE:
 - VITRIFIED CLAY PIPE TO AS1741 OR
 - SEWER GRADE UPVC TO AS1260 OR
 - CLASS 2 FIBRE REINFORCED CONCRETE TO AS4139
- D3 FOR PIPE DIAMETERS EXCEEDING 150mm, USE:
 - CLASS 2 REINFORCED CONCRETE PIPE TO AS4058 OR
 - CLASS 2 FIBRE REINFORCED CONCRETE PIPE TO AS4139
- D4 PVC PIPES SHALL BE SOLVENT WELDED. ALL OTHER PIPES SHALL BE RUBBER RING JOINTED UNLESS NOTED OTHERWISE.
- D5 UNLESS SPECIFIED OTHERWISE, BED & BACKFILL SHALL BE COMPACTED SAND TO 100mm ABOVE THE PIPE. REMAINDER OF BACKFILL SHALL BE COMPACTED EXCAVATED MATERIAL. WHEN UNDER VEHICULAR PAVEMENT, REMAINDER OF BACKFILL SHALL BE COMPACTED BASECOURSE.
- D6 LOADS ON PIPES DURING CONSTRUCTION SHALL NOT EXCEED THE REQUIREMENT OF AS3725, OR THE RECOMMENDATIONS OF THE PIPE MANUFACTURER.
- D7 TRENCH WIDTHS SHALL BE IN ACCORDANCE WITH AS3500, BUT NOMINALLY THE GREATER OF 1.5 PIPE DIAMETER OR PIPE DIAMETER PLUS 300.

INFILTRATION SIZING

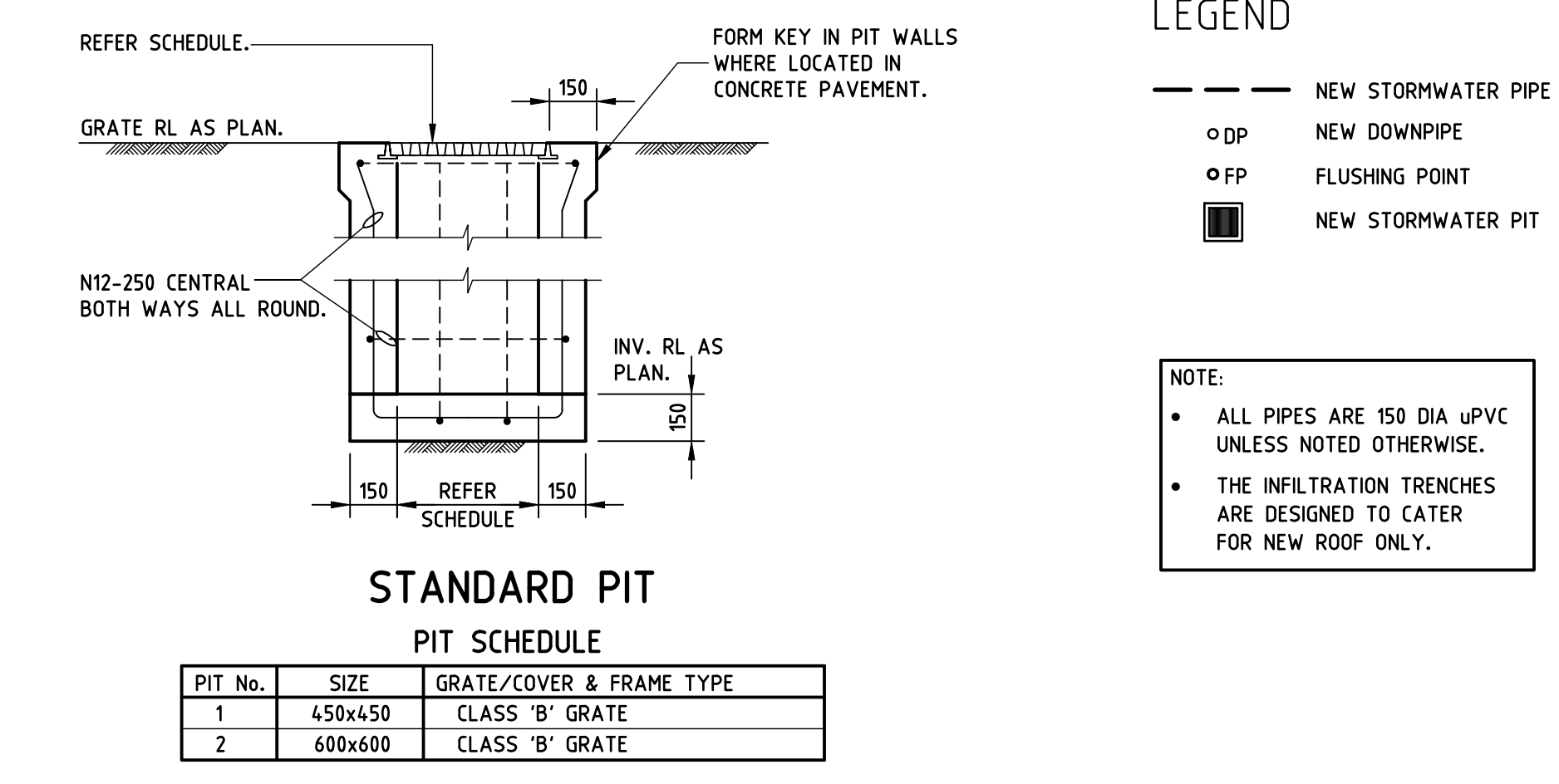
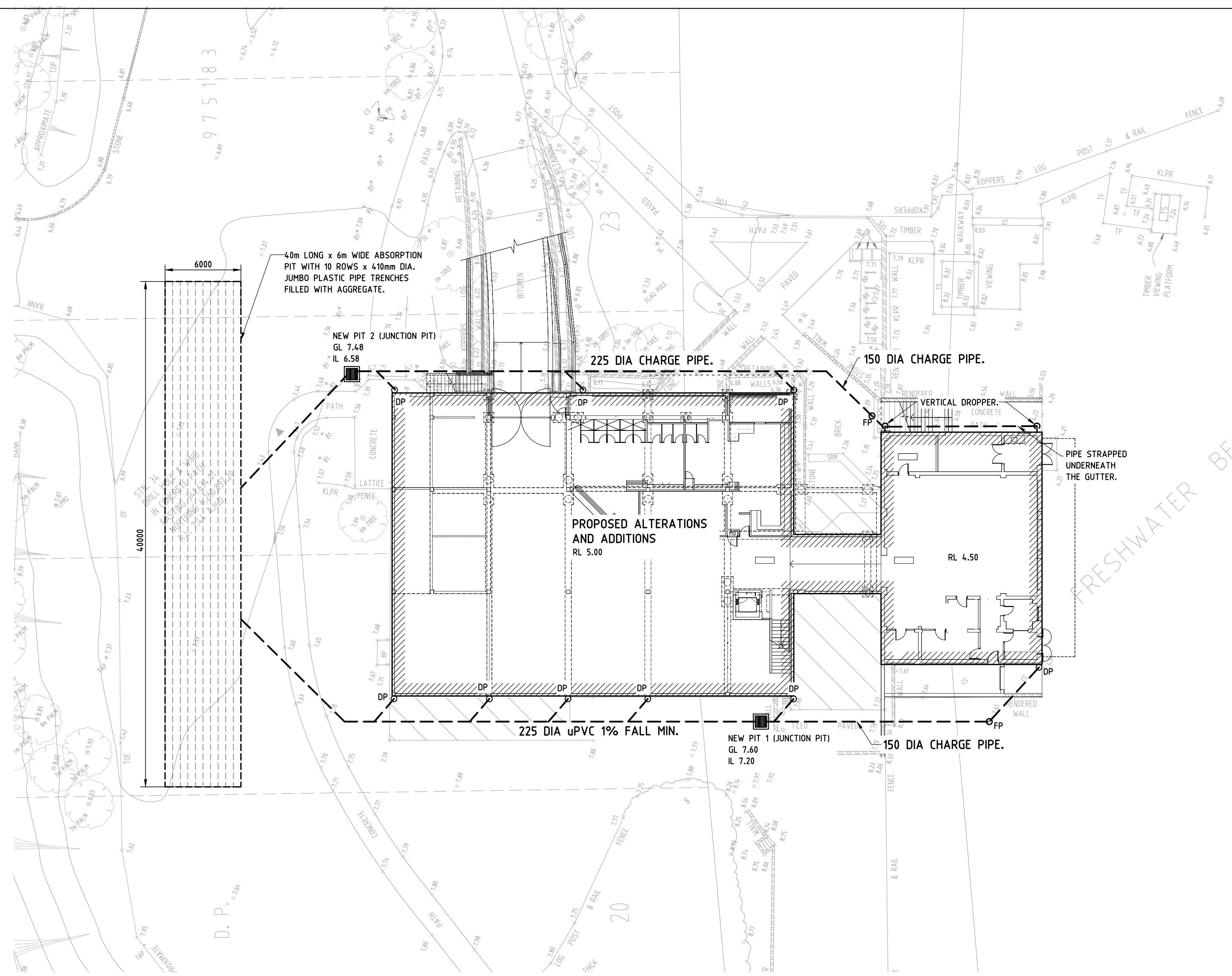
Project	Location
20230025	Freshwater Surf Life Saving Club

Area (m ²)	1414.0	Safety factor	1	Nominal Absorption rate (mm/hr) (ARd)	0.0750
Design infiltration rate (mm/hr)	270	Void Ratio	0.20	Infiltration Surface (m ²) (IS)	400.0
L/m ² /s	0.0750				
C	0.90				

Duration (min) (T)	Intensity (mm/hr) (I)	CxIxTxA	CxIxA/3600	ISxARdTx60/1000	Vs (m ³)	T (hrs)	
5	300	237	25.13	83.78	9.000	16.13	60
10	600	193	40.94	68.23	18.000	22.94	85
15	900	162	51.54	57.27	27.000	24.54	91
20	1200	139	58.96	49.14	36.000	22.96	85
25	1500	122	64.69	43.13	45.000	19.69	73
30	1800	109	69.36	38.53	54.000	15.36	57
45	2700	84	79.89	29.59	81.000	-1.11	-4
60	3600	69	87.43	24.29	108.000	-20.57	-76
90	5400	52	99.07	18.35	162.000	-62.93	-233
120	7200	43	108.43	15.06	216.000	-107.57	-398
180	10800	33	124.08	11.49	324.000	-199.92	-740
270	16200	25	144.31	8.91	486.000	-341.69	-1266
360	21600	21	162.64	7.53	648.000	-485.36	-1798
540	32400	17	194.71	6.01	972.000	-772.29	-2879
720	43200	15	222.96	5.16	1296.000	-1073.04	-3974
1080	64800	12	270.30	4.17	1944.000	-1673.70	-6199
1440	86400	10	308.48	3.57	2592.000	-2283.52	-8457
1800	108000	9	342.84	3.17	3240.000	-2897.16	-10730
2160	129600	8	371.09	2.86	3888.000	-3516.91	-13026
2880	172800	7	415.99	2.41	5184.000	-4768.01	-17659
4320	259200	5	473.71	1.83	7776.000	-7302.29	-27046
5760	345600	4	505.78	1.46	10368.000	-9862.22	-36527
7200	432000	3	522.28	1.21	13968.000	-12437.72	-46065
8640	518400	3	531.44	1.03	15552.000	-15020.56	-55632
10800	604800	2	532.35	0.88	18144.000	-17611.65	-65228

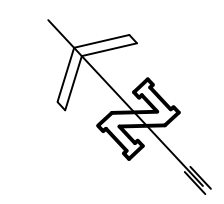
ABSORPTION TRENCH SYSTEM CALCULATIONS

NO OF PITS	10
STORAGE VOLUME OF EACH PIT	0.35 m ³
TOTAL LENGTH OF JUMBO PIPES	12 m
WIDTH OF EACH TRENCH	0.6 m
TOTAL LENGTH OF TRENCHES	400 m
TOTAL TRENCH AREA	240 m ²
JUMBO PIPE DIAMETER	0.41 m
ASSUMED VOID RATIO OF GRAVEL BACKFILL	20 %
THICKNESS OF GRAVEL LAYER ABOVE JUMBO	0.2 m
THICKNESS OF GRAVEL LAYER BELOW JUMBO	0.25 m
STORAGE CAPACITY OF 410 JUMBO PIPES	1.58 m ³
VOLUME OF VOID IN GRAVEL LAYER ABOVE JUMBO	9.60 m ³
VOLUME OF VOID IN GRAVEL LAYER BELOW JUMBO	12.00 m ³
TOTAL STORAGE VOLUME OF PITS	3.46 m ³
TOTAL AVAILABLE STORAGE VOLUME	26.64 m ³



PROGRESS PRINT

No.	Date	Description	Ver.	Appr.
P1	22.02.23	DRAFT ISSUE	LN	JC
P2	28.06.23	DRAFT ISSUE	LN	JC

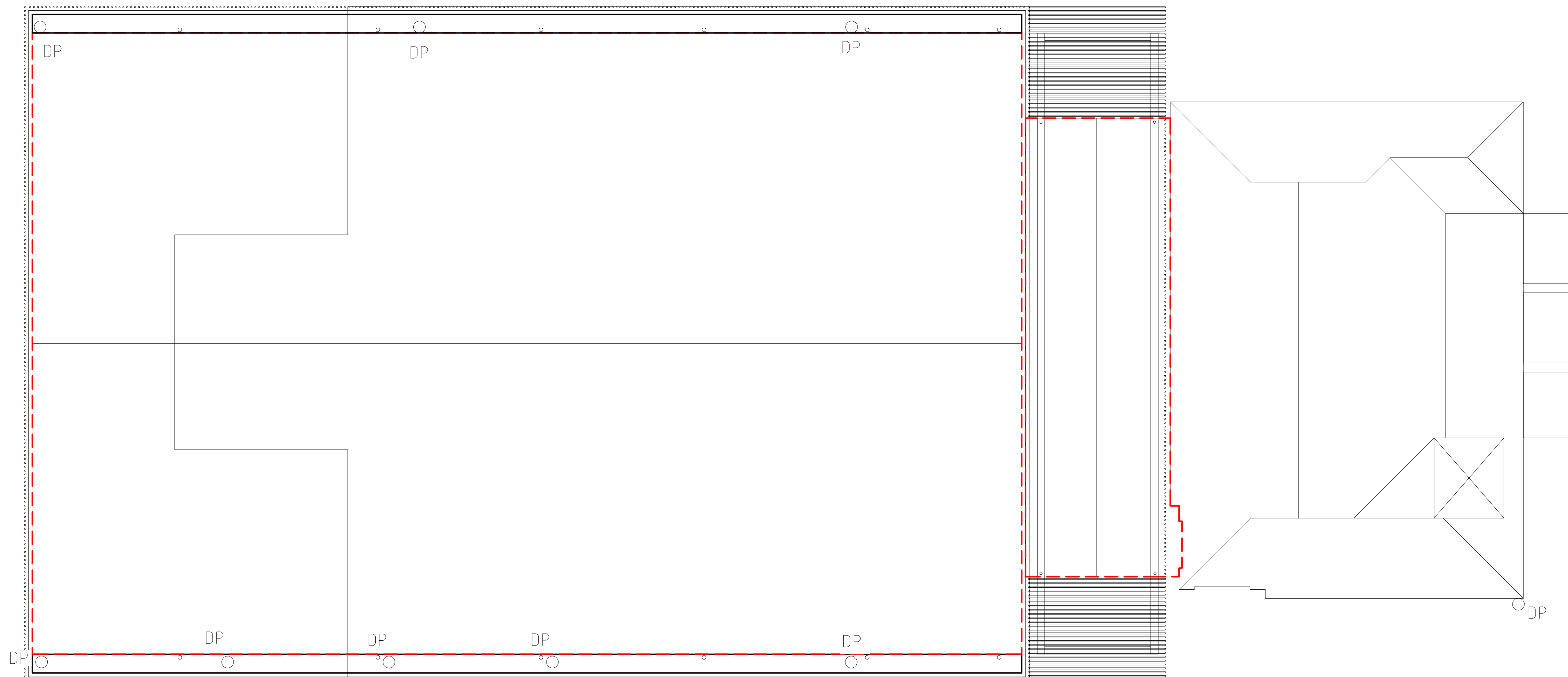


ARCHITECT
BONUS + ASSOCIATES
 LEVEL 1, 597 DARLING STREET
 ROZELLE NSW 2039

Woolacotts
 CONSULTING ENGINEERS
 T +61 2 8203 1500 | www.woolacotts.com.au
 Suite 6.02 Level 6, 67 Albert Ave, Chatswood NSW 2067

ALTERATIONS AND ADDITIONS
 FRESHWATER SURF LIFE SAVING CLUB
 STORMWATER MANAGEMENT
 PLAN, DETAIL, AND NOTES

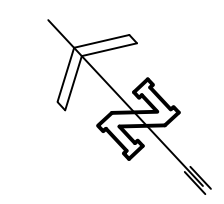
Date	FEBRUARY 2023	Approved	J.C.	Verified	L.N.	Prepared	Y.S.
Scale	@ A1 1:200, 1:20		29.05.23		29.05.23		29.05.23
Job number	23-25	Drawing number	SW1	Amendment			P2



LEGEND
 ○ DP NEW DOWNPIPE

**PROGRESS
 PRINT**

No.	Date	Description	Ver.	Appr.
P1	22.02.23	DRAFT ISSUE	LN	JC
P2	28.06.23	DRAFT ISSUE	LN	JC



ARCHITECT
 BONUS + ASSOCIATES
 LEVEL 1, 597 DARLING STREET
 ROZELLE NSW 2039

Woolacotts.
 CONSULTING ENGINEERS
 T +61 2 8203 1500 | www.woolacotts.com.au
 Suite 6.02 Level 6, 67 Albert Ave, Chatswood NSW 2067
This drawing is copyright and must not be used, reproduced or copied wholly or in part without written permission of Woolacotts Consulting Engineers Pty Ltd.

ALTERATIONS AND ADDITIONS
 FRESHWATER SURF LIFE SAVING CLUB
 STORMWATER MANAGEMENT
 PLAN - ROOF

Date	FEBRUARY 2023	Approved	J.C.	Verified	L.N.	Prepared	Y.S.
Scale @ A1	1:100		29.05.23		29.05.23		29.05.23
Job number	23-25	Drawing number	SW2	Amendment	P2		