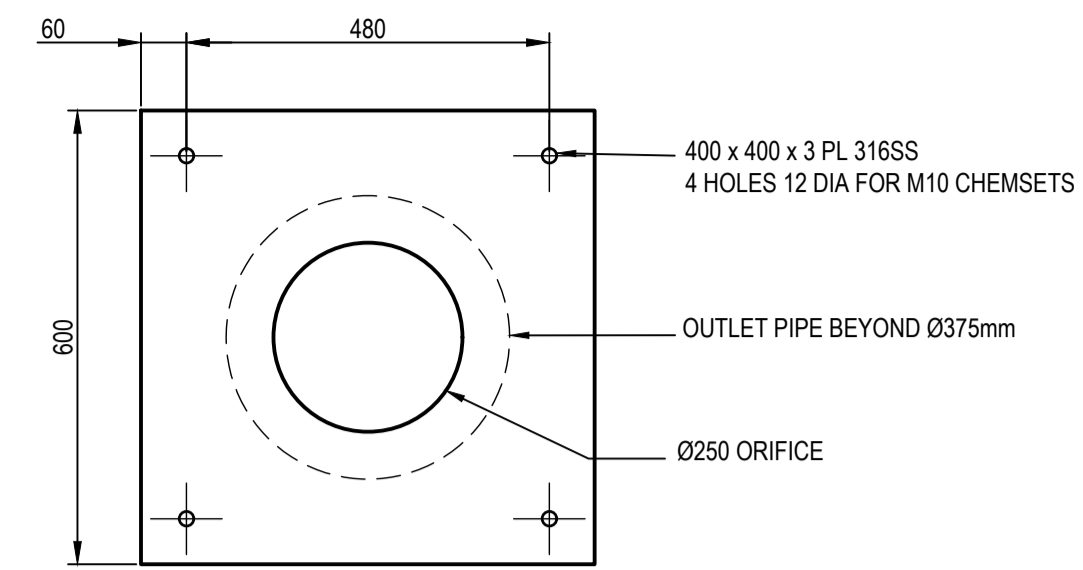
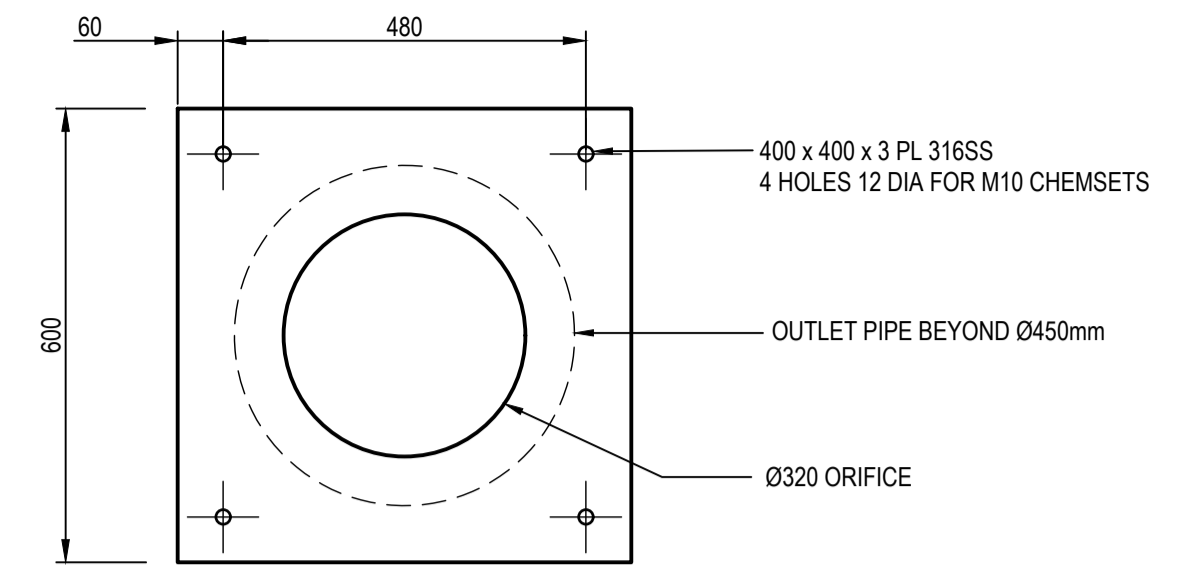


PLAN VIEW



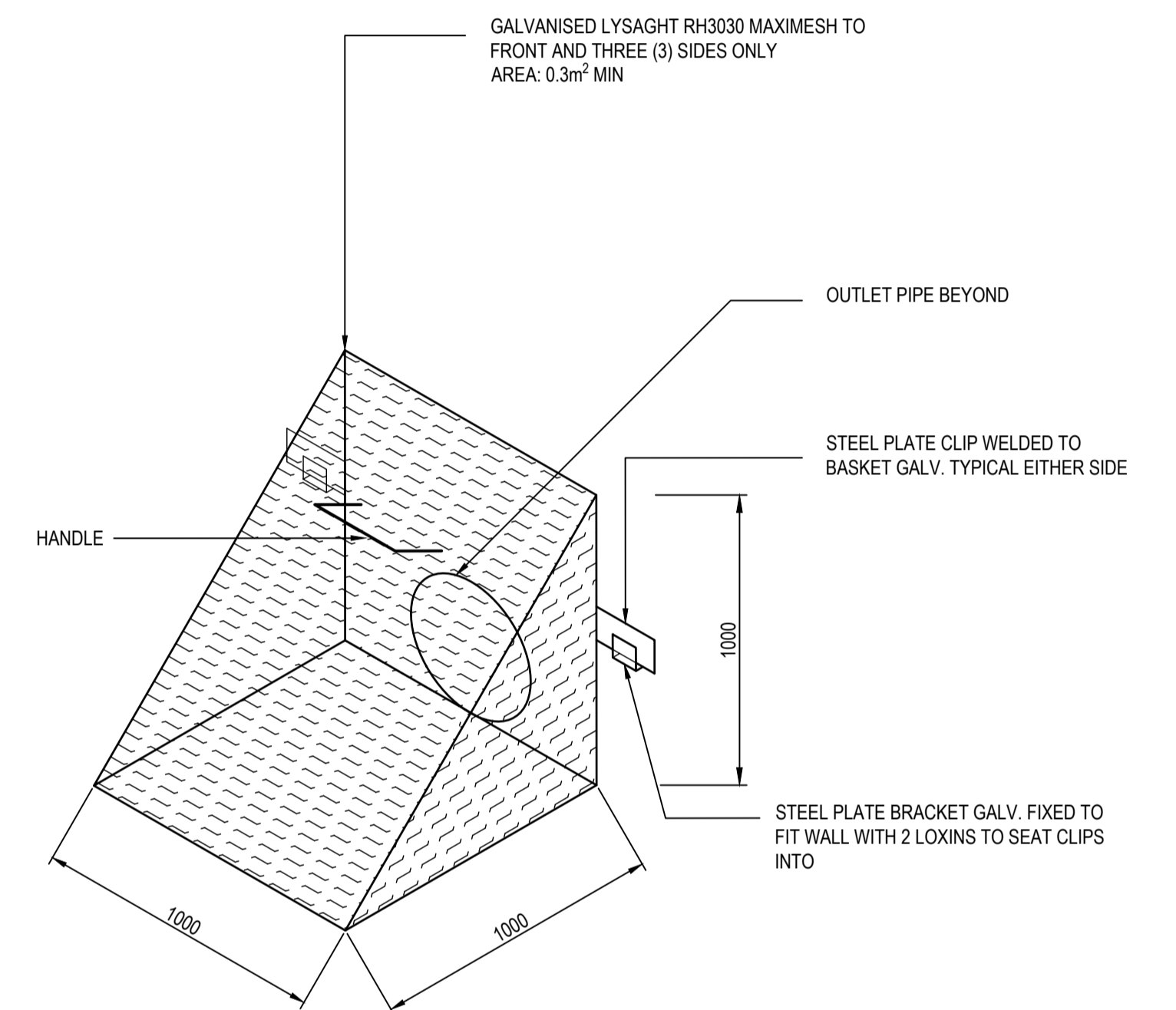
ORIFICE PLATE DETAIL

SCALE 1:10



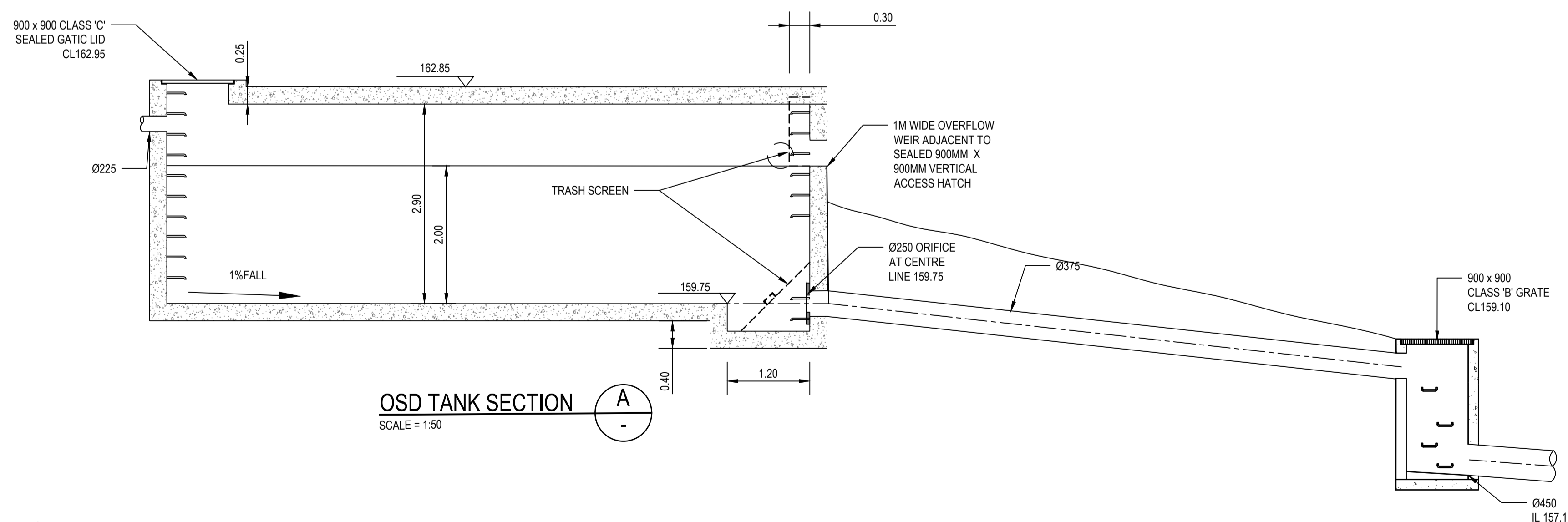
ORIFICE PLATE DETAIL

SCALE 1:10



MAXIMESH DETAIL

NTS



OSD TANK SECTION

SCALE = 1:50

| DESIGN CRITERIA | |
|--------------------------------------|-------------------------------------------------------------------------|
| TOTAL SITE AREA = | 7932.m ² |
| DESIGN METHOD = | ILSAX |
| PRE-DEVELOPED IMPERVIOUS AREA = | 0. % |
| POST-DEVELOPED IMPERVIOUS AREA = | 65. % |
| POST DEVELOPED FLOWS (l/s) = | Q ₅ = 125 Q ₁₀ = 157. Q ₂₀ = 300 |
| PRE DEVELOPED FLOWS (l/s) = | Q ₅ = 132 Q ₁₀ = 222 Q ₂₀ = 330 |
| PORTION OF SITE THROUGH OSD SYSTEM = | 100. % |
| REQUIRED STORAGE VOLUME = | 240.m ³ |
| ACTUAL STORAGE VOLUME = | 240.m ³ |

NOT FOR CONSTRUCTION

© COPYRIGHT of this design and plan is the property of ACOR Consultants Pty Ltd. ACN 079 306 246 ABN 40 079 306 246, all rights reserved. It must not be used, modified, reproduced or copied wholly or in part without written permission from ACOR Consultants Pty Ltd.

This drawing has been assigned an electronic code that signifies the drawing has been checked and approved by:

| Issue | Description | Date | Drawn | Approved |
|-------|----------------------------------------|----------|-------|----------|
| D | RE - ISSUE FOR DEVELOPMENT APPLICATION | 10.09.18 | DW | GL |
| C | RE - ISSUE FOR DEVELOPMENT APPLICATION | 03.08.18 | DK | GL |
| B | ISSUE FOR DEVELOPMENT APPLICATION | 19.06.17 | DK | KL |
| A | ISSUE FOR INFORMATION | 13.06.17 | DK | KL |

Applicant
CHRIROSEPH PTY LTD

Architect
SUITE 302, 69 CHRISTIE ST
ST LEONARDS, NSW 2065
PHONE : 02 99665566

Morrison Design Partnership
SINCE 1953

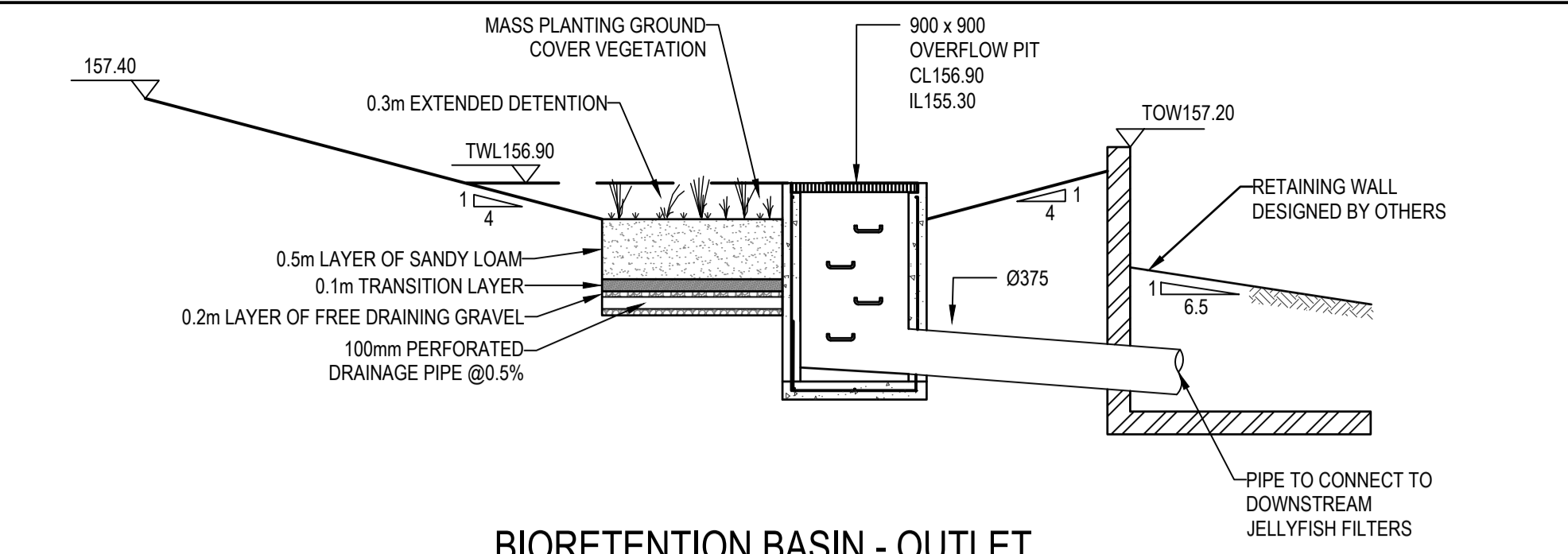
ACOR CONSULTANTS
ENGINEERS | MANAGERS | INFRASTRUCTURE PLANNERS | DEVELOPMENT CONSULTANTS

ACOR Consultants Pty Ltd
Suite 2, Level 1, 33 Herbert Street
St Leonards NSW 2065
T +61 2 9438 5098

Project
BELROSE MANOR
RESIDENTIAL AGED CARE FACILITY
181 FOREST WAY
BELROSE, NSW 2085

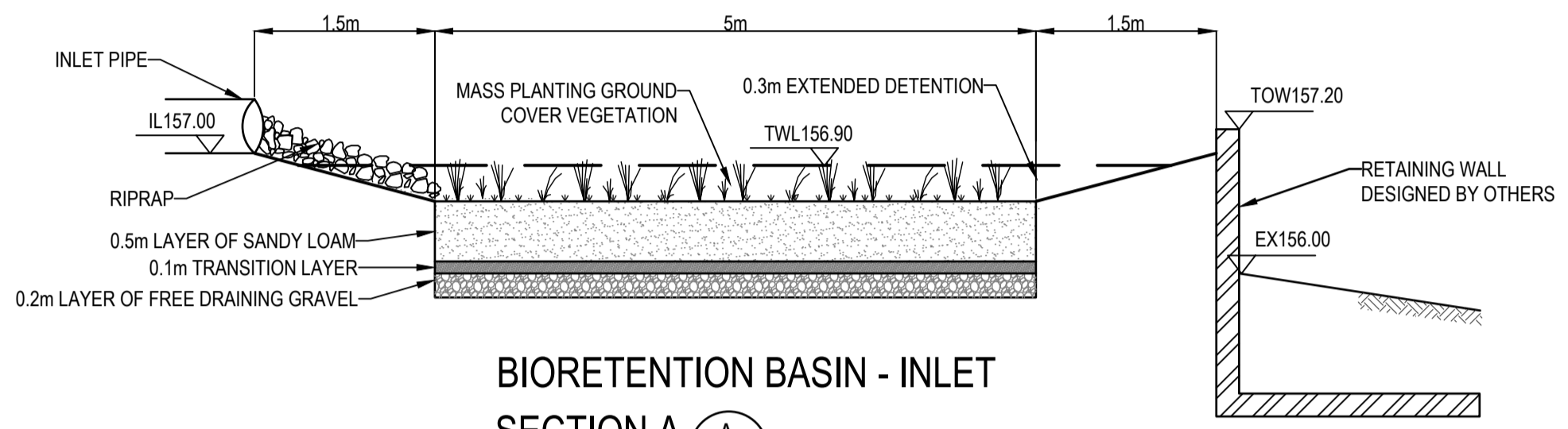
Drawing Title
DETAILS - SHEET 1

| Drawn | Date | Scale | A1 | Q.A. Check | Date |
|----------|-------------|----------|-------|------------|------|
| KR | MAY 2017 | AS SHOWN | AH | 10.09.18 | |
| Designed | Project No. | Dwg. No. | Issue | | |
| KL | SY160709 | C1.05 | D | | |



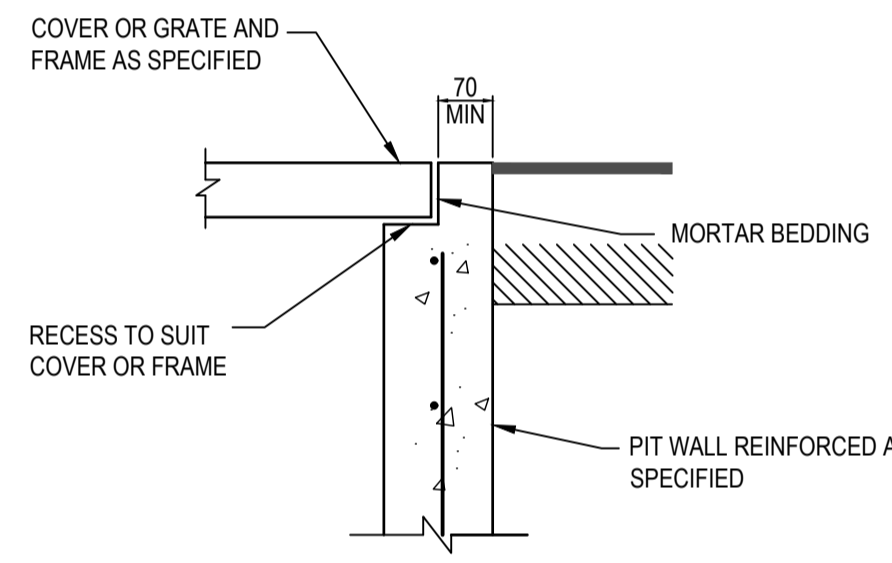
BIORETENTION BASIN - OUTLET

SECTION B
SCALE 1:50

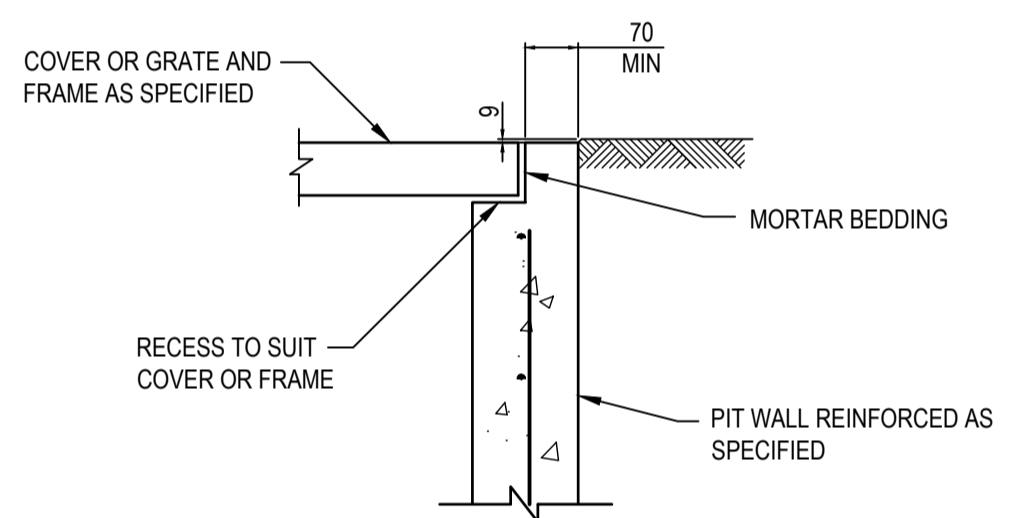


BIORETENTION BASIN - INLET

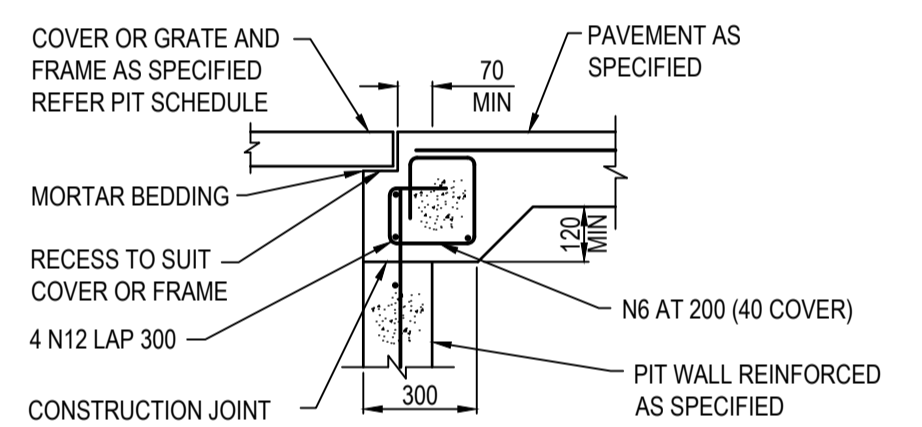
SECTION A
SCALE 1:50



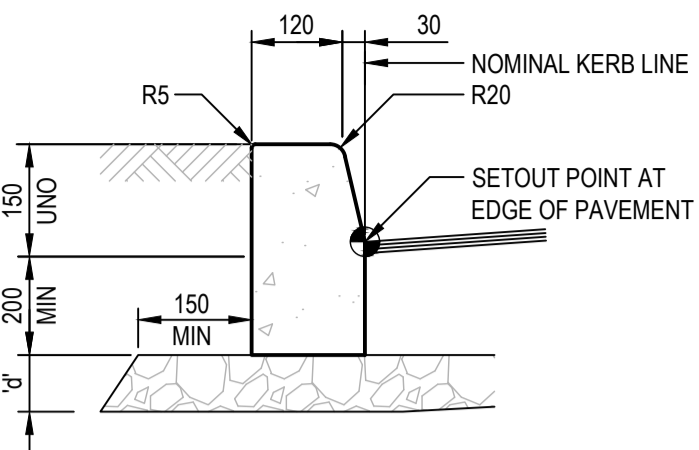
PIT EDGE DETAIL "C"
SCALE 1:10



PIT EDGE DETAIL "D"
SCALE 1:10

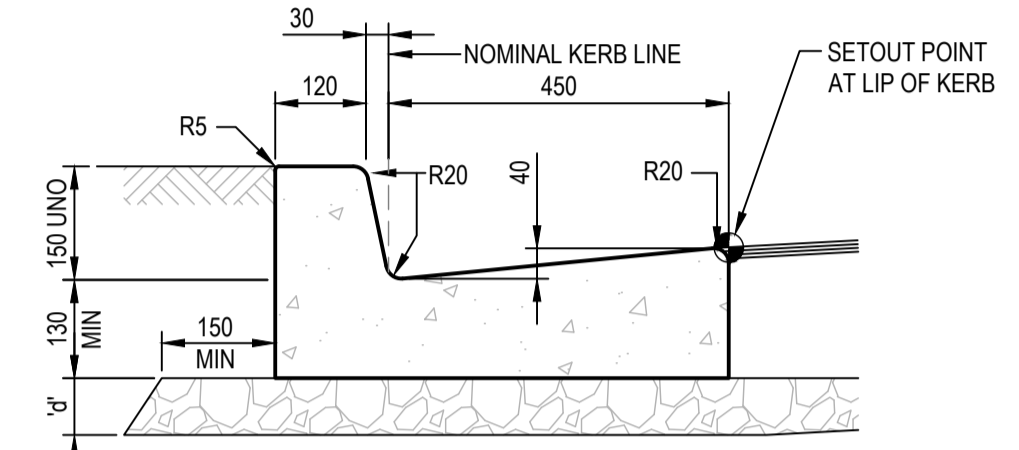


PIT EDGE DETAIL "B"
SCALE 1:10



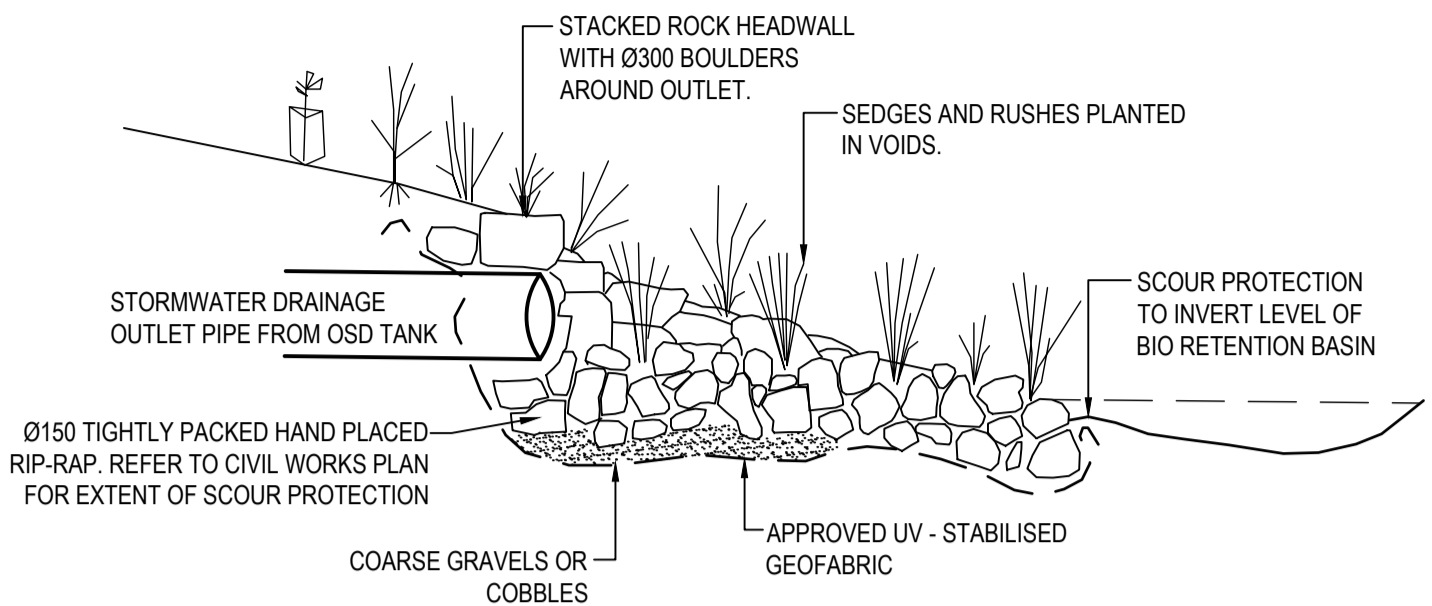
KERB ONLY (KO)

SCALE 1:10
NOTE:
'd' = SUBBASE THICKNESS TO MATCH DEPTH OF PAVEMENT SUBBASE, BUT NOT LESS THAN 75



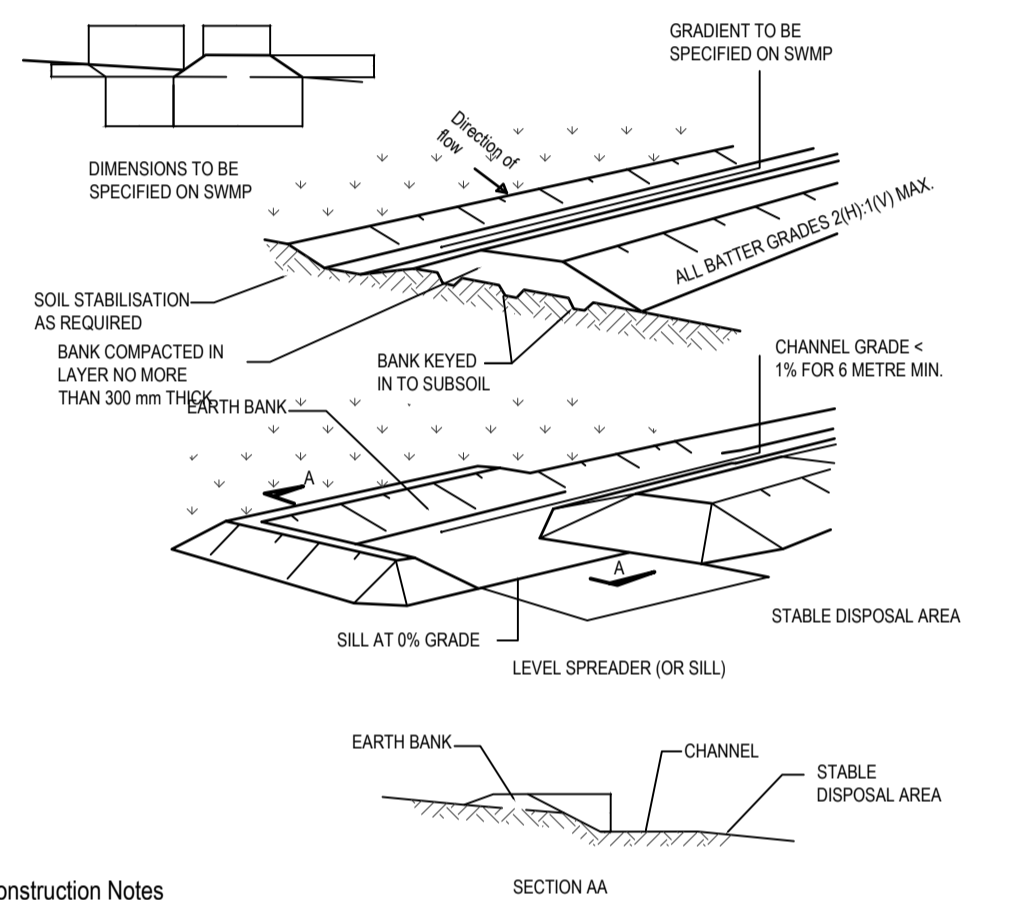
KERB AND GUTTER (K&G)

SCALE 1:10
NOTE:
'd' = SUBBASE THICKNESS TO MATCH DEPTH OF PAVEMENT SUBBASE, BUT NOT LESS THAN 75



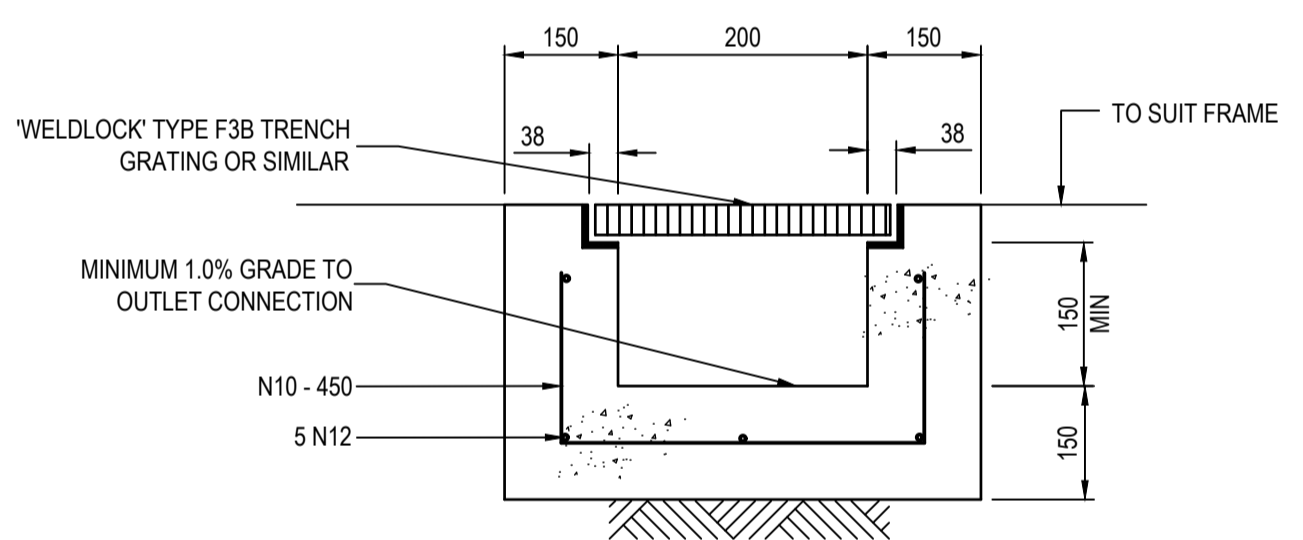
TYPICAL STONE HEADWALL DETAIL

SCALE 1:20

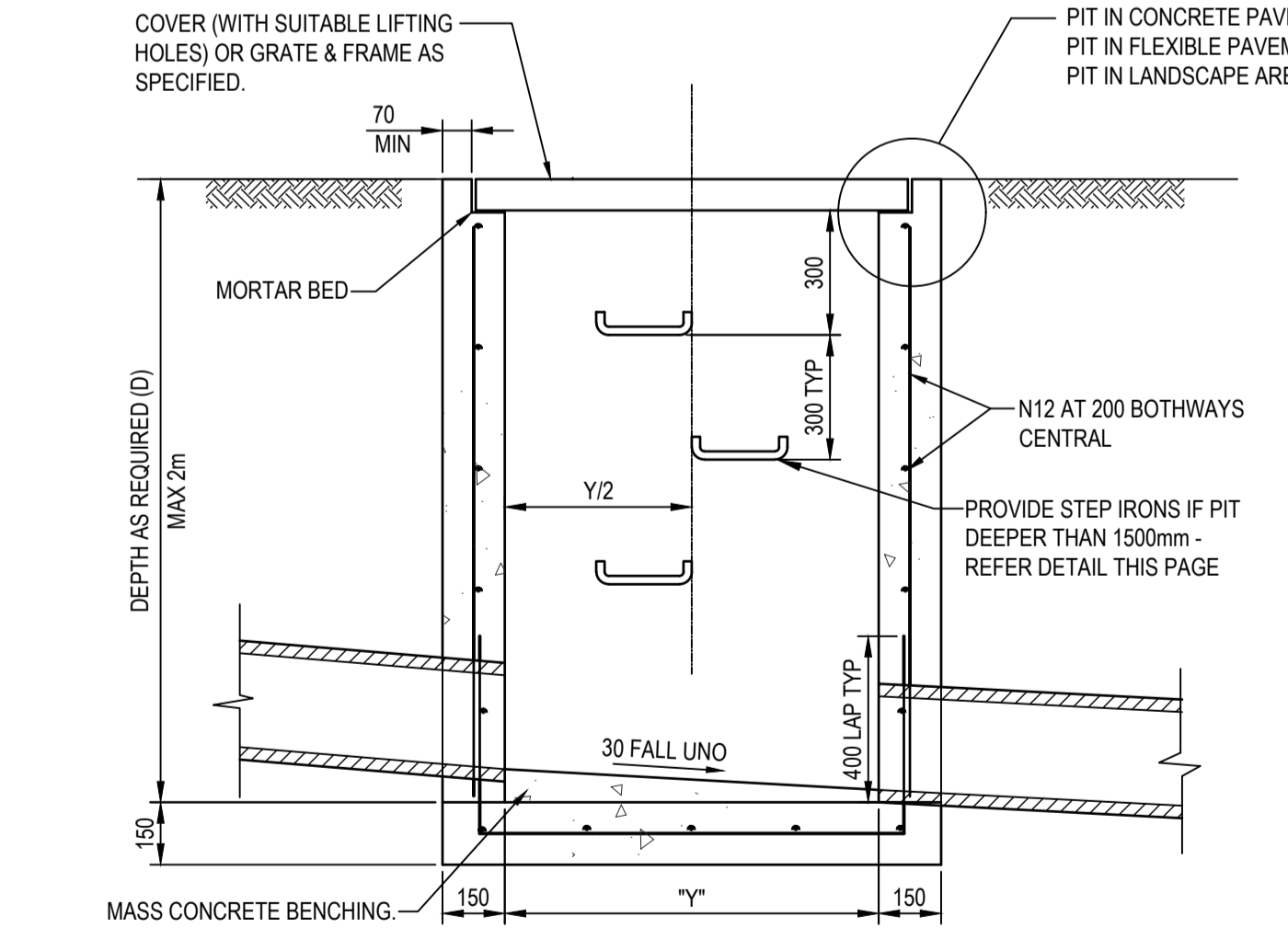


LEVEL SPREADER
NTS

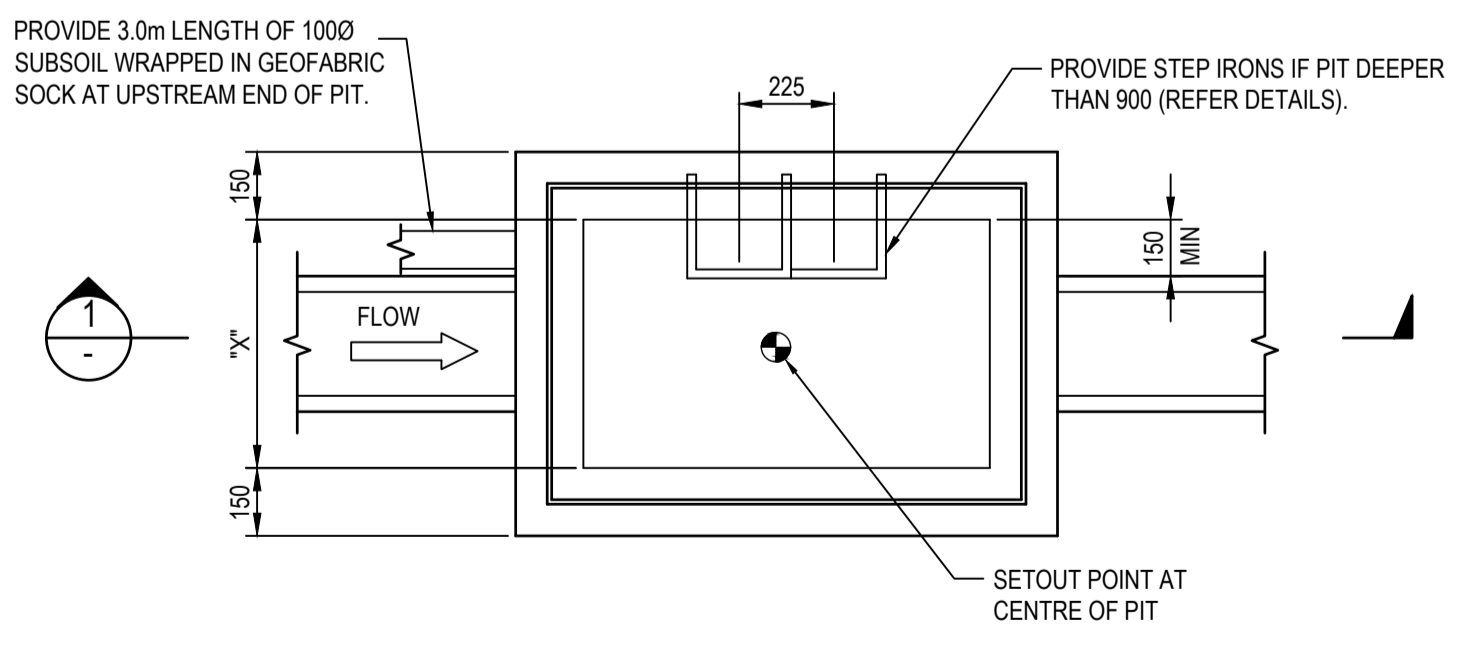
- Construction Notes**
- CONSTRUCT ALONG GRADIENT AS SPECIFIED.
 - AVOID REMOVING TREES AND SHRUBS IF POSSIBLE.
 - DRAINS TO BE OF PARABOLIC OR TRAPEZOIDAL CROSS SECTION AS OPPOSED TO V-SHAPED.
 - EARTH BANKS TO BE ADEQUATELY COMPACTED IN ORDER TO PREVENT FAILURE.
 - PERMANENT OR TEMPORARY STABILISATION OF EARTH BANK TO BE COMPLETED WITHIN 10 DAYS OF CONSTRUCTION.
 - ALL OUTLETS FROM DISTURBED LANDS ARE TO FEED INTO A SEDIMENT BASIN OR SIMILAR.
 - DISCHARGE RUNOFF COLLECTED FROM UNDISTURBED LANDS ONTO EITHER A STABILISED OR AN UNDISTURBED DISPOSAL SITE WITHIN THE SAME SUBCATCHMENT AREA FROM WHICH THE WATER ORIGINATED.
 - COMPACT WITH A SUITABLE IMPLEMENT IN SITUATION WHERE THEY ARE REQUIRED TO FUNCTION FOR MORE THAN FIVE DAYS.
 - EARTH BANKS TO BE FREE OF PROJECTIONS OR OTHER IRREGULARITIES THAT WILL IMPEDE NORMAL FLOW.



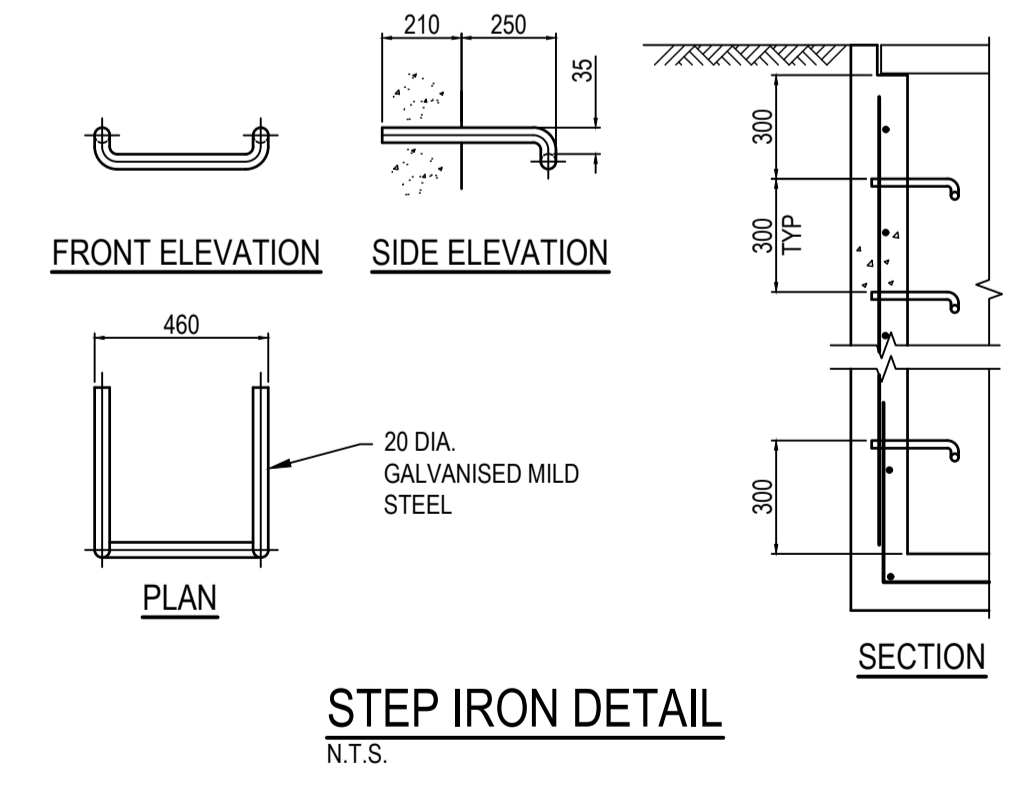
GRATED DRAIN
NTS



SECTION 1
SCALE 1:20



SURFACE INLET/JUNCTION PIT



STEP IRON DETAIL
N.T.S.

| MINIMUM INTERNAL PIT DIMENSIONS | | | |
|---------------------------------|-----|------|--|
| "D" | "X" | "Y" | |
| D < 600 | 450 | 450* | |
| D < 900 | 600 | 600* | |
| D < 1200 | 600 | 900 | |
| D > 1200 | 900 | 900 | |

NOTE: PITS DENOTED * SHALL BE USED ONLY WHERE SPECIFIED IN DRAINAGE SCHEDULE OR ON PLAN.

© COPYRIGHT of this design and plan is the property of ACOR Consultants Pty Ltd. ACN 079 306 246 ABN 40 079 306 246, all rights reserved. It must not be used, modified, reproduced or copied wholly or in part without written permission from ACOR Consultants Pty Ltd.

| Issue | Description | Date | Drawn | Approved |
|-------|----------------------------------------|----------|-------|----------|
| C | RE - ISSUE FOR DEVELOPMENT APPLICATION | 10.09.18 | DK | GL |
| B | ISSUE FOR DEVELOPMENT APPLICATION | 19.06.17 | DK | KL |
| A | ISSUE FOR INFORMATION | 13.06.17 | DK | KL |

| North |
|-------|
| North |

Applicant
CHRIROSEPH PTY LTD

Architect
SUITE 302, 69 CHRISTIE ST
ST LEONARDS, NSW 2065
PHONE : 02 99665566

Morrison
Design
Partnership

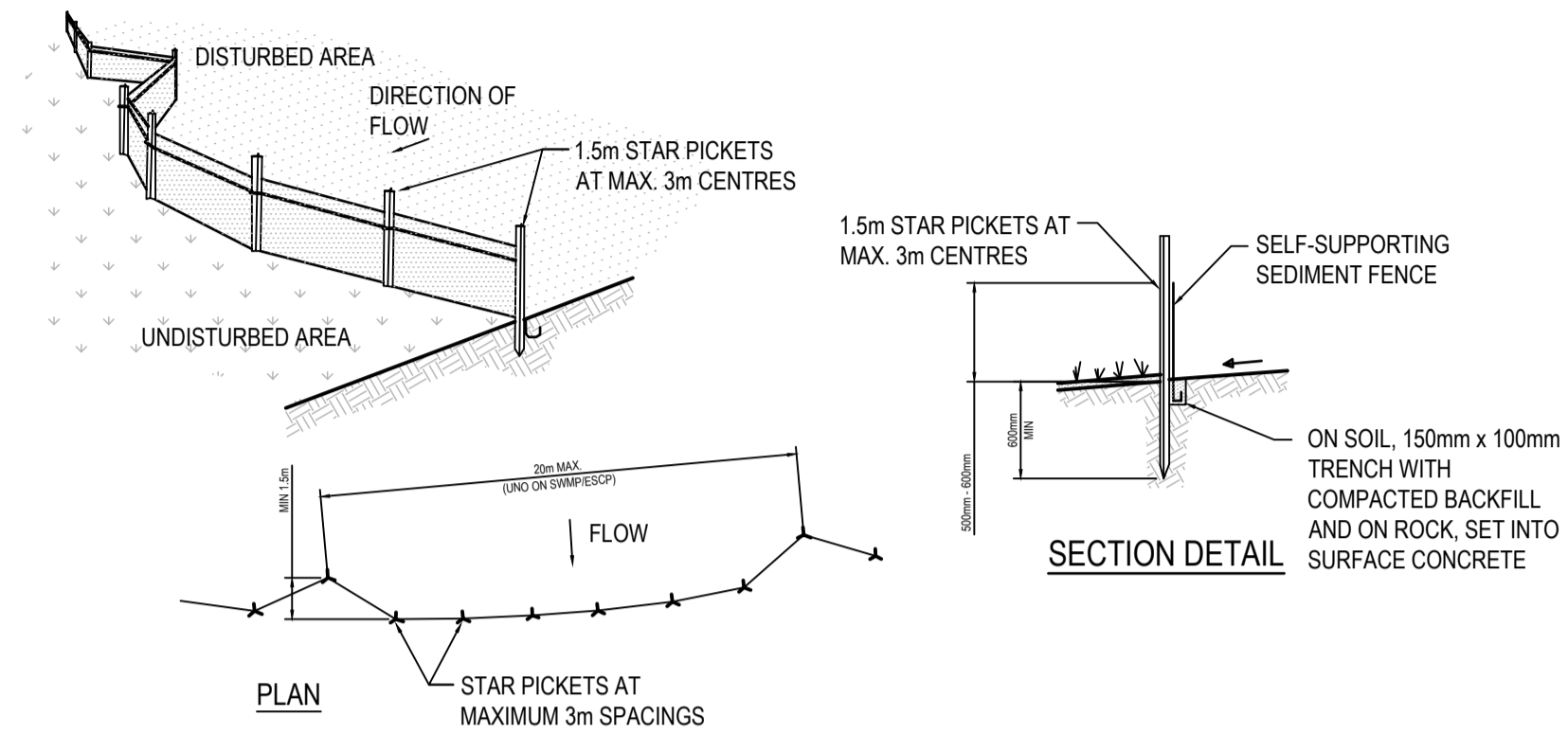
ACOR
CONSULTANTS

ACOR Consultants Pty Ltd
Suite 2, Level 1, 33 Herbert Street
St Leonards NSW 2065
T +61 2 9438 5098

Project
BELROSE MANOR
RESIDENTIAL AGED CARE FACILITY
181 FOREST WAY
BELROSE, NSW 2085

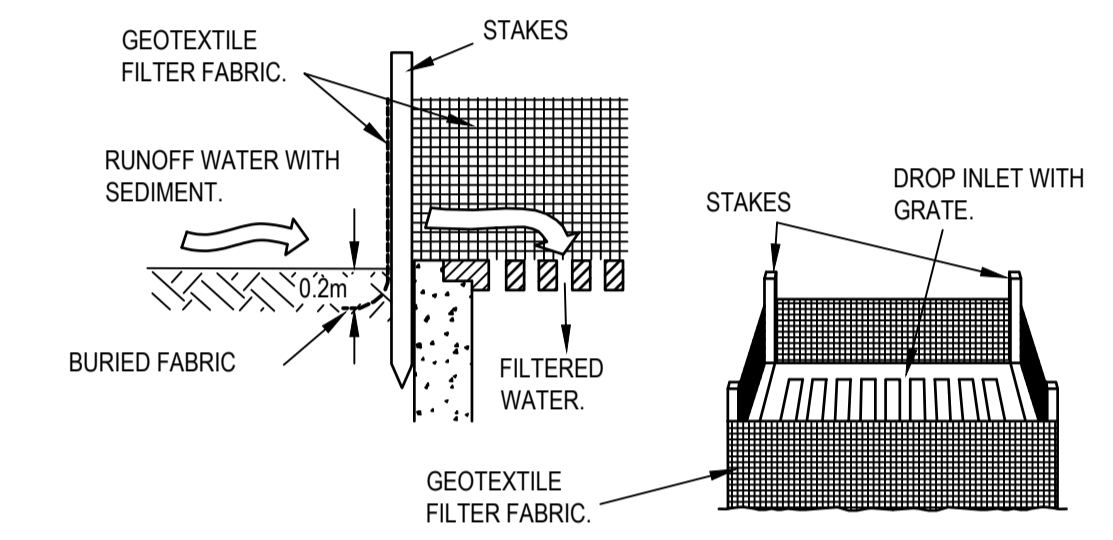
| Drawing Title | | | | |
|-------------------|-------------|----------|-------|------------|
| DETAILS - SHEET 2 | | | | |
| Drawn | Date | Scale | A1 | Q.A. Check |
| KR | MAY 2017 | AS SHOWN | AH | 10.09.18 |
| Designed | Project No. | Dwg. No. | Issue | |
| KL | SY160709 | C1.06 | C | |

NOT FOR CONSTRUCTION



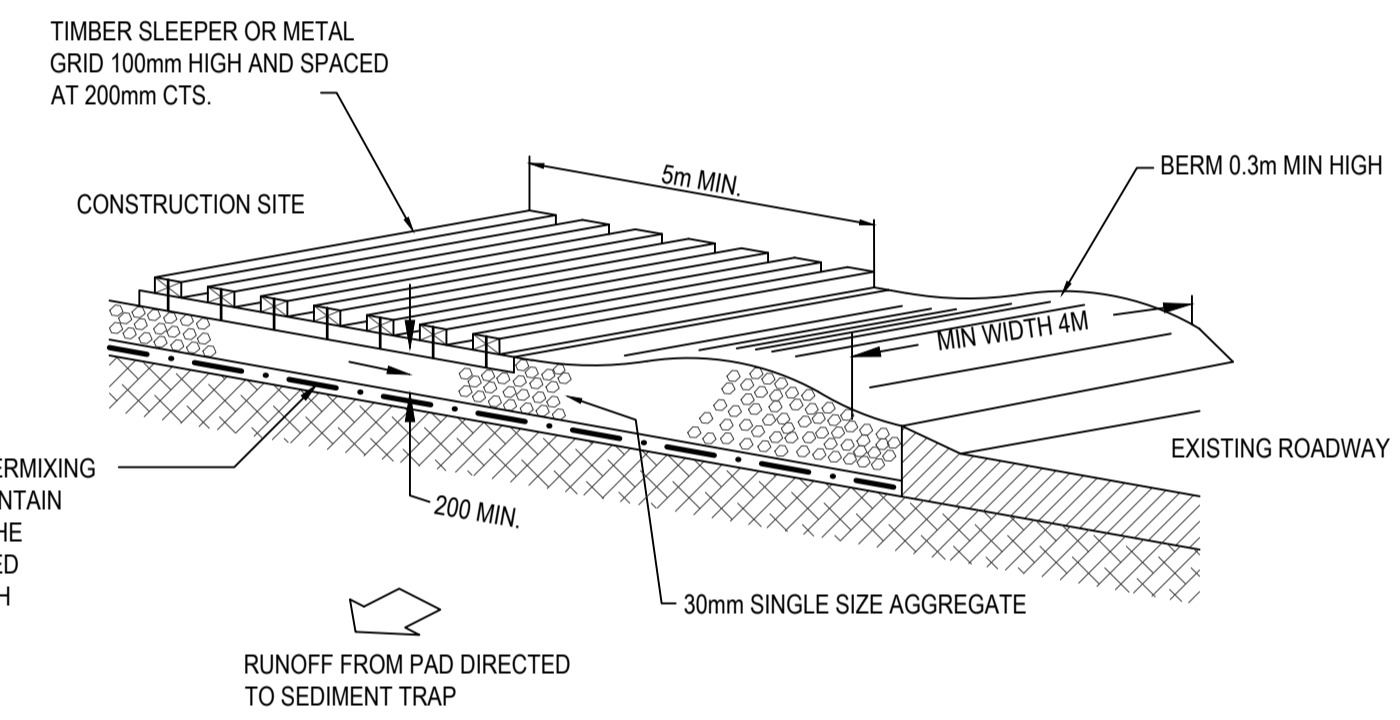
- CONSTRUCTION NOTES**
1. CONSTRUCT SEDIMENT FENCE AS CLOSE AS POSSIBLE TO PARALLEL TO THE CONTOURS OF THE SITE.
 2. DRIVE 1.5m LONG STAR PICKETS INTO GROUND, 3 METRES APART.
 3. DIG A 150mm DEEP TRENCH ALONG THE UPSLOPE LINE OF THE FENCE FOR THE BOTTOM OF THE FABRIC TO BE ENTRENCHED.
 4. BACKFILL TRENCH OVER BASE OF FABRIC.
 5. FIX SELF-SUPPORTING SEDIMENT FENCE TO UPSLOPE SIDE OF POSTS WITH WIRE TIES OR AS RECOMMENDED BY SEDIMENT FENCE MANUFACTURER.
 6. JOIN SECTIONS OF FABRIC AT A SUPPORT POST WITH A 150mm OVERLAP.

SEDIMENT CONTROL FENCE
NTS



**GEOTEXTILE FILTER FABRIC
DROP INLET SEDIMENT TRAP.**
N.T.S.

NOTE:
ENSURE THAT ALL UTILITY ASSETS ARE MAINTAINED AND PROTECTED AT ALL TIMES IN THE VICINITY OF THE TEMPORARY CONSTRUCTION EXIT



GEOTEXTILE FABRIC DESIGNED TO PREVENT INTERMIXING OF SUBGRADE AND BASE MATERIALS AND TO MAINTAIN GOOD PROPERTIES OF THE SUB-BASE LAYERS. THE GEOTEXTILE MAY BE WOVEN OR NEEDLE PUNCHED PRODUCT WITH A MINIMUM CBR BURST STRENGTH (AS3706.4-90) OF 2500N.

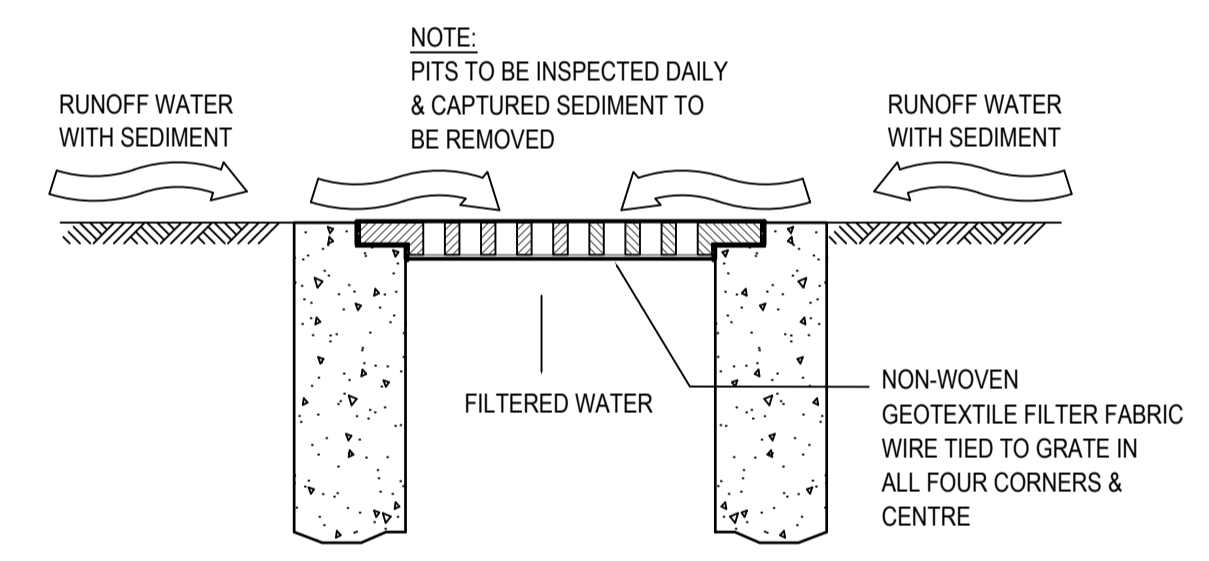
CONSTRUCTION NOTES

1. STRIP TOPSOIL AND LEVEL SITE.
2. COMPACT SUBGRADE.
3. COVER AREA WITH NEEDLE-PUNCHED GEOTEXTILE.
4. CONSTRUCT 200mm THICK PAD OVER GEOTEXTILE USING 30mm SINGLE SIZE AGGREGATE.
5. CONSTRUCT HUMP IMMEDIATELY WITHIN BOUNDARY TO DIVERT WATER TO A SEDIMENT FENCE OR OTHER SEDIMENT TRAP WHERE THE SEDIMENT IS COLLECTED AND REMOVED.

MAINTENANCE NOTES

THE EXIT SHALL BE MAINTAINED IN A CONDITION WHICH PREVENTS TRACKING OR FLOWING OF SEDIMENT OFF THE CONSTRUCTION SITE. THIS MAY REQUIRE PERIODIC TOP DRESSING WITH ADDITIONAL GRAVEL AS CONDITIONS DEMAND AND REPAIR AND/OR CLEANOUT OF ANY MEASURES USED TO TRAP SEDIMENT. ALL SEDIMENT SPILLED, DROPPED, WASHED OR TRACKED OFF THE CONSTRUCTION SITE MUST BE REMOVED IMMEDIATELY.

TEMPORARY STABILISED CONSTRUCTION EXIT
NTS



INLET TRAP
NTS

© COPYRIGHT of this design and plan is the property of ACOR Consultants Pty Ltd. ACN 079 306 246 ABN 40 079 306 246, all rights reserved. It must not be used, modified, reproduced or copied wholly or in part without written permission from ACOR Consultants Pty Ltd.

| Issue | Description | Date | Drawn | Approved |
|-------|----------------------------------------|----------|-------|----------|
| C | RE - ISSUE FOR DEVELOPMENT APPLICATION | 10.09.18 | DK | GL |
| B | ISSUE FOR DEVELOPMENT APPLICATION | 19.06.17 | DK | KL |
| A | ISSUE FOR INFORMATION | 13.06.17 | DK | KL |

North

Applicant
CHRIROSEPH PTY LTD

Architect
SUITE 302, 69 CHRISTIE ST
ST LEONARDS, NSW 2065
PHONE : 02 99665566

Morrison Design Partnership
ACOR CONSULTANTS
SINCE 1958
ENGINEERS | MANAGERS | INFRASTRUCTURE PLANNERS | DEVELOPMENT CONSULTANTS

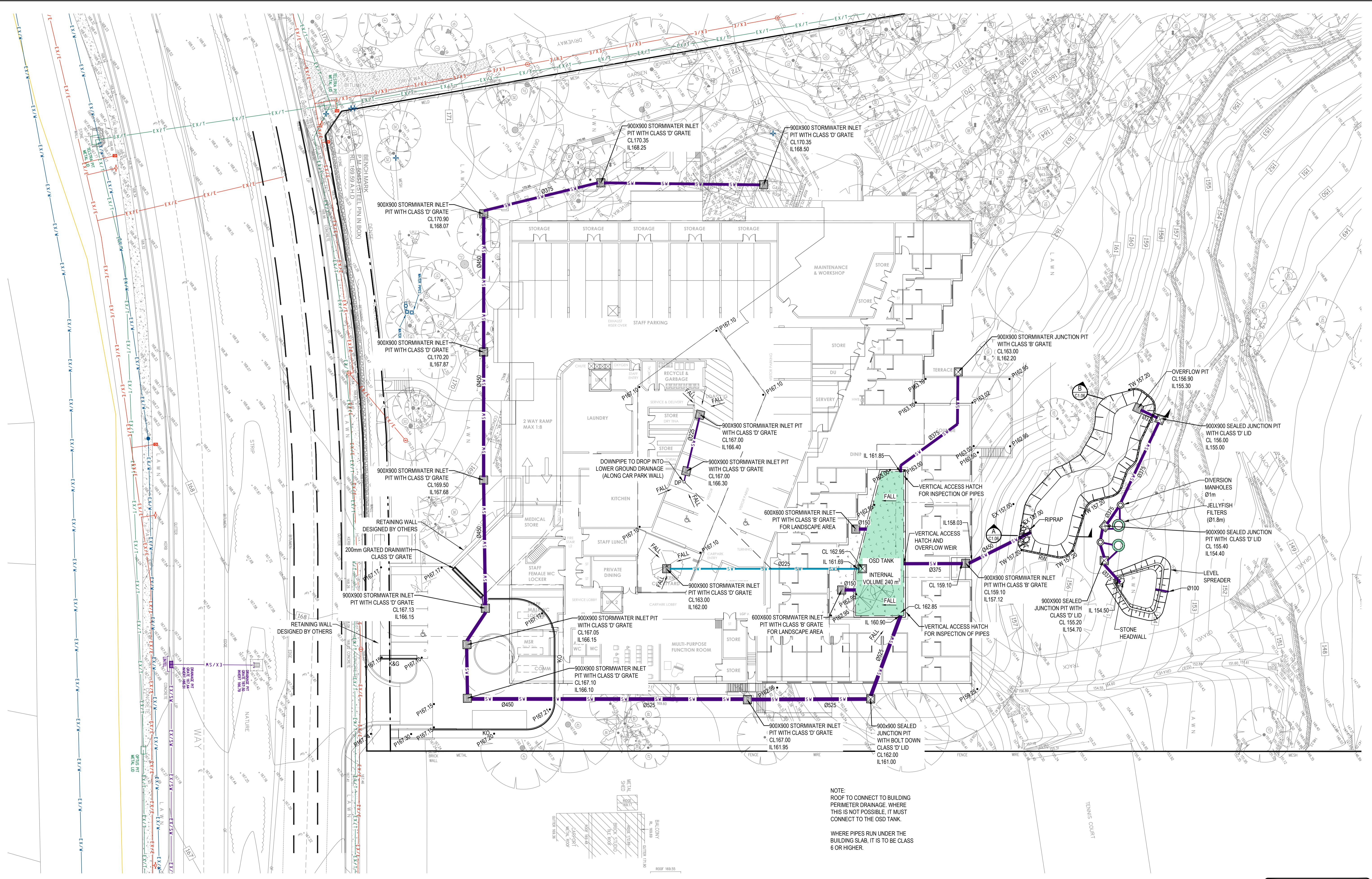
ACOR Consultants Pty Ltd
Suite 2, Level 1, 33 Herbert Street
St Leonards NSW 2065
T +61 2 9438 5098

Project
BELROSE MANOR
RESIDENTIAL AGED CARE FACILITY
181 FOREST WAY
BELROSE, NSW 2085

| Drawn | Date | Scale | A1 | Q.A. Check | Date |
|------------|-------------|----------|----|------------|----------|
| KR | MAY 2017 | AS SHOWN | | AH | 10.09.18 |
| Designated | Project No. | Dwg. No. | | Issue | |
| KL | SY160709 | C1.07 | | C | |

NOT FOR CONSTRUCTION

P:\2018\160709\160709.dwg 10/09/2018 10:09:18 AM



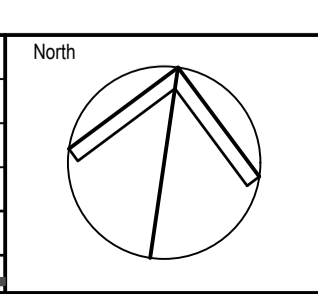
NOTE:
 ROOF TO CONNECT TO BUILDING PERIMETER DRAINAGE, WHERE THIS IS NOT POSSIBLE, IT MUST CONNECT TO THE OSD TANK.
 WHERE PIPES RUN UNDER THE BUILDING SLAB, IT IS TO BE CLASS 6 OR HIGHER.

NOT FOR CONSTRUCTION

© COPYRIGHT of this design and plan is the property of ACOR Consultants Pty Ltd. ACN 079 306 246 ABN 40 079 306 246, all rights reserved. It must not be used, modified, reproduced or copied wholly or in part without written permission from ACOR Consultants Pty Ltd.

This drawing has been assigned an electronic code that signifies the drawing has been checked and approved by:

| Issue | Description | Date | Drawn | Approved |
|-------|----------------------------------------|----------|-------|----------|
| D | RE - ISSUE FOR DEVELOPMENT APPLICATION | 10.09.18 | DW | GL |
| C | RE - ISSUE FOR DEVELOPMENT APPLICATION | 03.08.18 | DK | GL |
| B | ISSUE FOR DEVELOPMENT APPLICATION | 19.06.17 | DK | KL |
| A | ISSUE FOR INFORMATION | 13.06.17 | DK | KL |



Applicant
CHRIROSEPH PTY LTD

Architect
**SUITE 302, 69 CHRISTIE ST
 ST LEONARDS, NSW 2065
 PHONE : 02 99665566**

Morrison Design Partnership
ACOR CONSULTANTS
 ENGINEERS | MANAGERS | INFRASTRUCTURE PLANNERS | DEVELOPMENT CONSULTANTS

ACOR Consultants Pty Ltd
 Suite 2, Level 1, 33 Herbert Street
 St Leonards NSW 2065
 T +61 2 9438 5098

Project
BELROSE MANOR
RESIDENTIAL AGED CARE FACILITY
 181 FOREST WAY
 BELROSE, NSW 2085

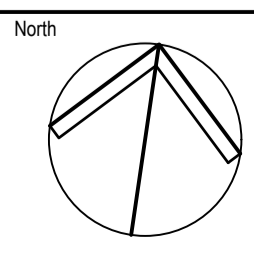
| Drawing Title | | STORMWATER MANAGEMENT PLAN | | | |
|---------------|-------------|----------------------------|----|------------|----------|
| Drawn | Date | Scale | A1 | Q.A. Check | Date |
| KR | MAY 2017 | 1:250 | | AH | 10.09.18 |
| Designed | Project No. | Dwg. No. | | | |
| KL | SY160709 | | | | |
| Issue | | | | | |
| | | C3.01 | D | | |



© COPYRIGHT of this design and plan is the property of ACOR Consultants Pty Ltd. ACN 079 306 246 ABN 40 079 306 246, all rights reserved. It must not be used, modified, reproduced or copied wholly or in part without written permission from ACOR Consultants Pty Ltd.

This drawing has been assigned an electronic code that signifies the drawing has been checked and approved by:

| Issue | Description | Date | Drawn | Approved |
|-------|----------------------------------------|----------|-------|----------|
| D | RE - ISSUE FOR DEVELOPMENT APPLICATION | 10.09.18 | DW | GL |
| C | RE - ISSUE FOR DEVELOPMENT APPLICATION | 03.08.18 | DK | GL |
| B | ISSUE FOR DEVELOPMENT APPLICATION | 19.06.17 | DK | KL |
| A | ISSUE FOR INFORMATION | 13.06.17 | DK | KL |



Applicant
CHRIROSEPH PTY LTD

Architect
SUITE 302, 69 CHRISTIE ST
ST LEONARDS, NSW 2065
PHONE : 02 99665566

Morrison Design Partnership

ACOR Consultants Pty Ltd
Suite 2, Level 1, 33 Herbert Street
St Leonards NSW 2065
T +61 2 9438 5098

Project
BELROSE MANOR
RESIDENTIAL AGED CARE FACILITY
181 FOREST WAY
BELROSE, NSW 2085

ENGINEERS | MANAGERS | INFRASTRUCTURE PLANNERS | DEVELOPMENT CONSULTANTS

NOT FOR CONSTRUCTION

| Drawing Title | | | | |
|----------------------------------------|-------------|----------|-------|------------|
| SOIL EROSION AND SEDIMENT CONTROL PLAN | | | | |
| Drawn | Date | Scale | A1 | Q.A. Check |
| KR | MAY 2017 | 1:250 | | AH |
| Designed | Project No. | Dwg. No. | Issue | Date |
| KL | SY160709 | C4.01 | D | 10.09.18 |