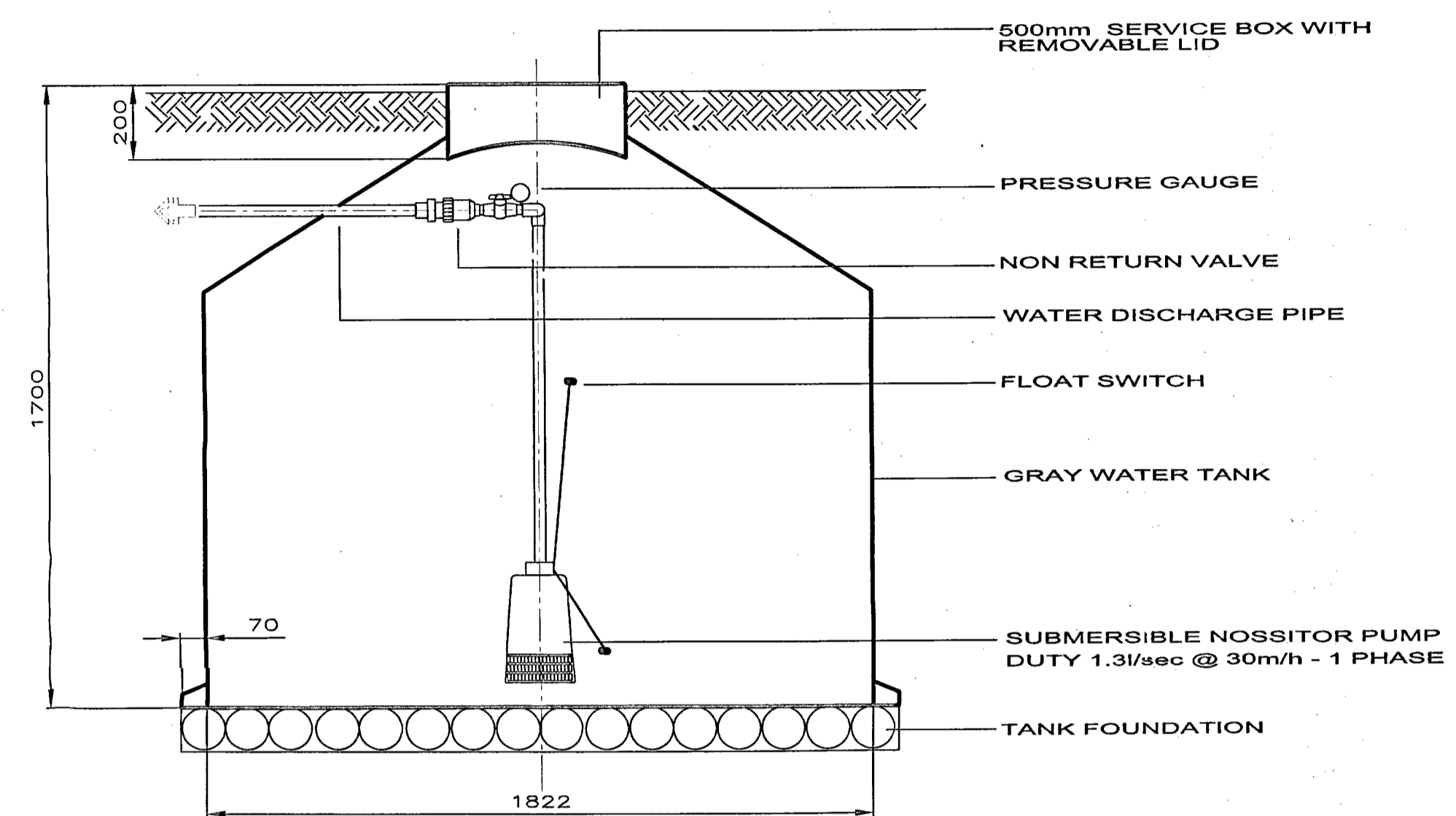
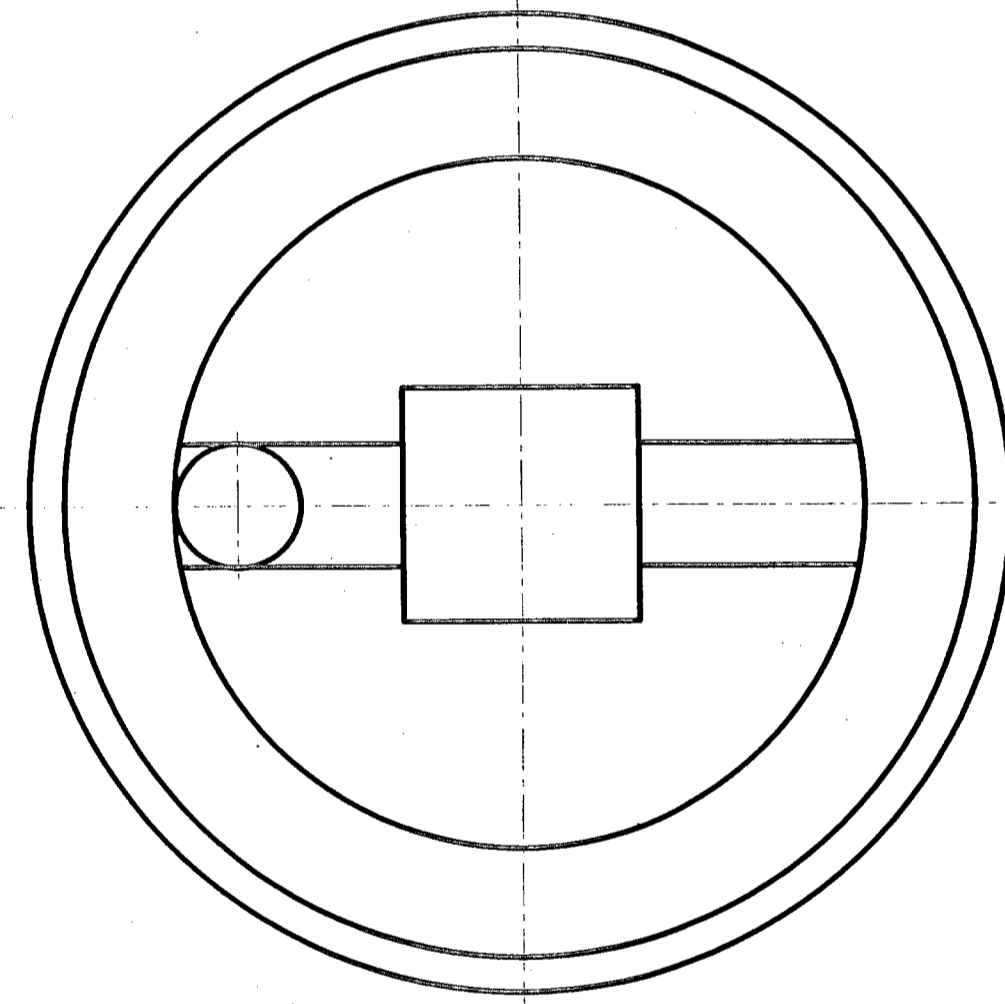


SECTION



SECTION

| REV | ISSUE | BY | CHKD | DATE |
|-----|-------------------|----|------|----------|
| A | PRELIMINARY ISSUE | AM | AT | 07.08.06 |

| DISCIPLINE | DRG NO. | REV | REASON FOR ISSUE |
|---------------|----------|-----|----------------------------------|
| ARCHITECTURAL | 21.04.06 | | PRELIMINARY |
| STRUCTURAL | | | AUTHORISATION |
| LANDSCAPE | | | BY: |
| ELECTRICAL | | | VERIFICATION OF LATEST AMENDMENT |
| CIVIL | 26.05.06 | | BY: |

HYDRAULIC ENGINEERS:
thomsonkane
 Consulting Hydraulic and Fire Engineers
 281 Pacific Highway, North Sydney NSW 2060
 Phone: (02) 9955 0788 Fax: (02) 9954 5532
 Email: tk@thomsonkane.com.au
 WWW.THOMSONKANE.COM.AU
 ACH 109 803 849
 THIS DRAWING IS COPYRIGHT ©

ARCHITECTS:
Denis Leech Associates P/L
 350 George Street, Sydney NSW 2000
 Tel: (02) 9997 7288 Fax: (02) 9997 3164

MASTER PLANNING:
Wolski, Lycenko & Brechnock
 115 Military Road, Neutral Bay NSW 2089
 Tel: (02) 9953 8477 Fax: (02) 9953 8557

ELECTRICAL:
WEBB AUSTRALIA
 37 Ryde Road, Pymble NSW 2073
 Tel: (02) 9418 1444 Fax: (02) 9418 1191

ENVIRONMENTAL:
WP Brown & Partners Pty Ltd
 Level 2, 82 Waterloo Road
 Maccaslie Park NSW 2113
 Tel: (02) 9900 1000 Fax: (02) 9900 1099

LANDSCAPE:
Place Planning & Design P/L
 Suite 10, Norberry Terrace, 177 Pacific Hwy
 North Sydney NSW 2060
 Tel: (02) 9959 5021 Fax: (02) 9959 5802

PROJECT:
PROPOSED RESIDENTIAL SUBDIVISION - 5 WARRIEWOOD VALLEY, WARRIEWOOD NSW

TITLE: HYDRAULIC SERVICES
ACTION INDUSTRIES STORMWATER TANK

| | | |
|---------------|-----------------|-----------|
| SCALE: | PROJECT NO: | CAD REF: |
| DATE: MAY '06 | 4733-2H | T:TKNEW/ |
| DRAWN BY: | DRAWING NUMBER: | REVISION: |
| CKD BY: AT | H-07 | A |