



**BUILDING
INNOVATIONS
AUSTRALIA**

BCA 2019 INDICATIVE COMPLIANCE REPORT FOR DA LODGEMENT

**27-29 North Avalon Road,
Avalon Beach NSW 2107**



Prepared for: Armada Avalon Pty Ltd C/- Environa Studio
Project No.: PRO-03421-P2Y2
Date: 27/09/2019
Status: Report Issue v2.0



Table of Contents

1.0. INTRODUCTION	4
1.1. LOCATION AND DESCRIPTION	4
1.2. REPORT PURPOSE	4
1.3. BASIS OF REPORT	5
1.4. REFERENCED DOCUMENTS	5
1.5. LIMITATIONS AND EXCLUSIONS	5
1.6. LEGISLATIVE FRAMEWORK	6
1.7. TERMINOLOGY	9
2.0. BUILDING DESCRIPTION – PROPOSED DEVELOPMENT	10
2.1. BUILDING CODE OF AUSTRALIA DESCRIPTION	10
2.2. RISE IN STOREYS (RIS) (CLAUSE C1.2)	10
2.3. BUILDING CLASSIFICATIONS (PART A6)	10
2.4. EFFECTIVE HEIGHT (SCHEDULE 3)	11
2.5. TYPE OF CONSTRUCTION (TABLE C1.1)	11
2.6. FLOOR AREA AND VOLUME LIMITATIONS (TABLE C2.2)	11
2.7. FIRE PROTECTION AND STRUCTURAL CAPACITY (CLAUSE 143)	12
2.8. FIRE BRIGADE REFERRAL (CLAUSE 144)	12
3.0. BCA REQUIREMENTS	13
3.1. BCA 2019 CLAUSE BY CLAUSE ASSESSMENT	14
<i>Part B1 – Structural Provisions</i>	14
<i>Part C1 – Fire Resistance and Stability</i>	14
<i>Part C2 – Compartmentation and Separation</i>	17
<i>Part C3 – Protection of Openings</i>	19
<i>Specification C1.1–Fire-Resisting Construction</i>	23
<i>Part D1 – Provision for Escape</i>	24
<i>Part D2 – Construction of Exits</i>	28
<i>Part D3 – Access for People with Disabilities</i>	34
<i>Part E1 – Fire Fighting Equipment</i>	35
<i>Part E2 – Smoke Hazard Management</i>	40
<i>Part E3 – Lift Installations</i>	42
<i>Part E4 – Emergency Lighting, Exit Signs and Warning Systems</i>	43
<i>Part F1 – Damp and Weatherproofing</i>	45
<i>Part F2 – Sanitary and Other Facilities</i>	46
<i>Part F3 – Room Sizes</i>	50
<i>Part F4 – Light and Ventilation</i>	51
<i>Part F5 – Sound Transmission and Insulation</i>	52
<i>Part F6 – Condensation management</i>	54
<i>Part G1 – Minor Structures and Components</i>	55
<i>Part G2 – Heating appliances, fireplaces, chimneys and flues</i>	55
<i>Part G3 – Atrium construction</i>	55
<i>Part G4 – Minor Structures and Components</i>	55
<i>Part G5 – Construction in bushfire prone areas</i>	55
<i>Part J0 – Energy Efficiency</i>	56



4.0. CONCLUSION60
APPENDIX A – FIRE RESISTANCE LEVELS.....61
TABLE 4 TYPE B CONSTRUCTION: FRL OF BUILDING ELEMENTS61
APPENDIX B – REFERENCED DOCUMENTATION62

Document History

Date	Issue	Status	Prepared by	Assessed by	Reviewed by
26/06/2019	Draft Report v0.1	Initial document created	Kallan Baker	Joseph Bond	Mardiros Tatian
12/07/2019	Report Issue v1.0	Report issued to client	Kallan Baker	Joseph Bond	Mardiros Tatian
27/09/2019	Report Issue v2.0	Updated to reflect latest plans	Kallan Baker	Joseph Bond	Mardiros Tatian

1.0. INTRODUCTION

1.1. Location and Description

This report is prepared in preparation of a Development Application (DA) lodgement and is for assessment purposes, it comprises a National Building Code of Australia 2019 (NBCA) assessment of the proposed seniors living residential development as required under Clause 145 of the Environmental Planning and Assessment Regulations.

The development incorporates the demolition of existing buildings and construction of a new two (2) storey residential flat building comprising of ten (10) seniors living residential apartments with associated carparking spaces located externally on the Ground Floor Level.



Figure 1 *Site location and topography*

1.2. Report Purpose

The purpose of this report is to provide an indicative compliance assessment of the DA design documentation for the proposal, against the current requirements of the BCA.

Demonstrating compliance with the BCA is not a prescribed head of consideration under Section 4.15 (formally Section 79C) of the Environmental Planning & Assessment Act 1979. It is noted however that Council has an obligation to consider whether the DA proposal, as lodged, is indicatively capable of complying with the BCA - without significant modification to those plans for which approval is sought.

This report will demonstrate that there will be no additional requirements, resulting from prescribed application of the BCA, for any significant design changes that would necessitate the submission of an application under Section 4.55 (formally Section 96) of the Environmental Planning and Assessment Act 1979.

As such, and to pre-empt the Certifying Authority's role under clause 145 of the Environmental Planning & Assessment Regulation 2000, we have undertaken a preliminary assessment of the development against the provisions of the BCA applicable to the lodged Construction Certificate.



1.3. Basis of Report

This report is based upon and limited to:

- An assessment of design documentation referenced in Appendix B of this report.
- The Deemed-to-Satisfy provisions of the National Building Code of Australia 2019 including the NSW variations where applicable.

1.4. Referenced Documents

The following documentation was relied upon when preparing this report:

- Assessment of design documentation referenced in Appendix B of this report.
- The performance and deemed-to-satisfy provisions of the National Building Code of Australia 2019 incorporating the NSW Appendices where applicable.
- Guide to the National Building Code of Australia.
- Disability (Access to Premises — Buildings) Standards 2010.
- Environmental Planning & Assessment Act 1979.
- Environmental Planning & Assessment Regulation 2000.

1.5. Limitations and Exclusions

The limitations and exclusions of this report are as follows:

- The plans are assessed indicatively to the extent necessary to proceed to construction certificate stage whereby assessment will be undertaken pursuant to Part 4A of the Environmental Planning and Assessment Act 1979.
- This Report does not address issues in relation to the following:
 - a) The structural adequacy of the building including the Fire Resistance Levels (FRL's) of any building elements (unless specifically referred to).
 - b) The design, maintenance or operation electrical, mechanical, hydraulic or fire protection services.
 - c) Environmental Planning and Assessment Act and Regulations (unless specifically referred to).
 - d) Local Government Act and Regulations.
 - e) Occupational Health and Safety Act and Regulations.
 - f) WorkCover Authority requirements.
 - g) Requirements of other Regulatory Authorities including, but not limited to, Telstra, Sydney Water, Electricity Supply Authority, RTA, Council and the like.
 - h) Disability Discrimination Act (DDA) other than minimum requirements under the Disability (Access to Premises — Buildings) Standards 2010. DDA is a Case by Case Assessment, this building will comply with the set items under the Premises Standards.
 - i) Construction Safety Act.
 - j) Conditions of Development Consent issued by the relevant Local Council.
- This assessment does not incorporate the detailed requirements of the Australian Standards.
- Building Innovations Australia Pty Ltd cannot guarantee acceptance of this report by the Local Council, NSW Fire Brigades or other approval authorities.



- Without written permission from Building Innovations Australia Pty Ltd, no part of this document may be reproduced in any form or by any means. This report is based solely on client instructions, and therefore should not be used by any third party without prior knowledge of such instructions.

1.6. Legislative Framework

Section 4.15 (formally Section 79C) of the Environmental Planning and Assessment Act provides the matters of consideration that the consent authority must take into account in the determination of a development application.

Once development consent is granted, and pursuant to Clause 145 of the Environmental Planning and Assessment Regulations 2000, a certifying authority must not issue a construction certificate for building work unless:

- (a1) *the plans and specifications for the building include such matters as each relevant BASIX certificate requires, and*
- (a) *the design and construction of the building (as depicted in the plans and specifications and as described in any other information furnished to the certifying authority under clause 140) are not inconsistent with the development consent, and*
- (b) *the proposed building (not being a temporary building) will comply with the relevant requirements of the Building Code of Australia (as in force at the time the application for the construction certificate was made).*

Compliance with the National Building Code of Australia

The BCA is a performance based document whereby compliance can be achieved by satisfying the deemed to satisfy requirements or by formulating an alternative solution to address the relevant performance requirements.

As indicated above, the requirements of the Environmental Planning and Assessment Regulations 2000 requires all new building works to comply with the relevant requirements of the BCA (as in force at the time the application for the construction certificate was made).

This means that the plans and documentation submitted with the *construction certificate* (CC) application must demonstrate full compliance with the relevant provisions of the Building Code of Australia.



Clause 143 Fire protection and structural capacity

If your development incorporates a Change of Use, Category 1 fire safety measures must be considered and implemented in to the design as applicable:

- EP1.3: A fire hydrant system*
- EP1.4: An automatic fire suppression system*
- EP1.6: Suitable facilities must be provided to the degree necessary in a building to co-ordinate fire brigade intervention*
- EP2.1: Sleeping Accommodation, occupants must be provided with automatic warning*
- EP2.2: Conditions in any evacuation route must be maintained for the period of time occupants take to evacuate*
- EP3.2: One or more passenger lifts fitted as emergency lifts to serve each floor served by the lifts in a building must be installed to facilitate the activities of the fire brigade and other emergency services personnel*

Details of the above will need to be identified on the Building Fire Safety Schedule/Statement as present, if not present; these measures will need to be installed in to the building if applicable.

Clause 144, 144A and 152 Referral of certain plans and specifications to New South Wales Fire Brigades

Under the Environmental Planning and Assessment Regulations Clause 144, Clause 144A has specific requirements for any Fire Engineering which identifies Category 2 fire safety provisions which form part of a building being more than 6,000m² and/or within a Fire Compartment more than 2,000m².

Category 2 means the following provisions of the Building Code of Australia, namely, CP9, EP1.3, EP1.4, EP1.6, EP2.2 and EP3.2 in Volume One of that Code

If this building has a floor area of more than 6,000m² or a performance solution is proposed within a fire compartment more than 2,000m², any Performance Solution which identifies one or more of the above performance provisions, Fire Brigade approval is required in the form of a Clause 144 Approval along with a required Engineering Statement under Clause 144A and following the completion of the building a Clause 152 Report from the Fire Commissioner is required, a final fire safety report for a building means a written report specifying whether or not the Fire Commissioner is satisfied:

- (a) that the building complies with the Category 2 fire safety provisions, and
- (b) that the fire hydrants in the fire hydrant system will be accessible for use by New South Wales Fire Brigades, and
- (c) that the couplings in the fire hydrant system will be compatible with those of the fire appliances and equipment used by New South Wales Fire Brigades.



Fulfilment of BASIX Commitments (Residential only)

Clause 154A of the Environmental Planning and Assessment Regulations 2000 requires a certifying authority to monitor fulfilment of any commitments listed on the BASIX certificate, where the BASIX requires the certifying authority to monitor those commitments.

A certifying authority must not issue an occupation certificate (whether interim or final) for any building resulting from, or any building that becomes a BASIX affected building because of, BASIX affected development or BASIX optional development to which this clause applies, or for any part of such a building, unless each of the commitments whose fulfilment it is required to monitor in relation to the building or part has been fulfilled.

For the purpose of satisfying itself as to the fulfilment of any such commitment, a certifying authority may rely on the advice of any properly qualified person (i.e. Energy Efficiency Consultant).

Special Requirements for Residential Flat Developments

Clause 143A of the Environmental Planning and Assessment Regulations 2000 requires a qualified designer to provide a statement that verifies that the plans and specifications that form part of construction certificate application achieve or improve the design quality of the development having regard to the design quality principles set out in Part 2 of the State Environmental Planning Policy No. 65 – Design Quality of Residential Flat Development prior to the issue of a Construction Certificate.

Clause 154A of the Environmental Planning and Assessment Regulations 2000 requires a qualified designer to provide a statement that verifies that the residential flat development achieves the design quality of the development as shown in the plans and specifications having regard to the design quality principles set out in Part 2 of the State Environmental Planning Policy No. 65 – Design Quality of Residential Flat Development prior to the issue of an Occupation Certificate.

Disability (Access to Premises — Buildings) Standards 2010

Disability (Access to Premises — Buildings) Standards 2010 has been introduced and is applicable to this building. It is noted that unless Part D3, Clauses E3.6, F2.2 & F2.4 are included in the below assessment, an access consultant may need to be engaged to provide specific comments as to compliance with this standard. Note that except for slight variations, particularly for Class 1b buildings, available verification methods and adult change facilities, as this is a new building to BCA 2019, compliance with the Disability (Access to Premises — Buildings) Standards 2010 would inherently comply.



1.7. Terminology

- *Building Code of Australia* - Document published on behalf of the Australian Building Codes Board. The BCA is a uniform set of technical provisions for the design and construction of buildings and other structures throughout Australia and is adopted in NSW under the provisions of the Environmental Planning & Assessment Act & Regulation.
- *Fire Resistance Level (FRL)* - means the grading periods in minutes tested in accordance with AS 1530.4-2005 for the following criteria -
 - (a) structural adequacy; and
 - (b) integrity; and
 - (c) insulation,and expressed in that order.
- *Fire Source Feature (FSF)* - the far boundary of a road adjoining the allotment; or a side or rear boundary of the allotment; or an external wall of another building on the allotment which is not a Class 10 building.
- *Open space* - means a space on the allotment, or a roof or other part of the building suitably protected from fire, open to the sky and connected directly with a public road.
- *Performance Requirements of the BCA* - A Building Solution will comply with the BCA if it satisfies the Performance Requirements. A Performance requirement states the level of performance that a Building Solution must achieve.

Compliance with the Performance Requirements can only be achieved by-

 - (a) complying with the Deemed-to-Satisfy Provisions; or
 - (b) formulating a Performance Solution which-
 - (i) complies with the Performance Requirements; or
 - (ii) is shown to be at least equivalent to the Deemed-to-Satisfy Provisions; or
 - (c) a combination of (a) and (b).
- *Sole occupancy unit* - means a room or other part of a building for occupation by one or joint owner, lessee, tenant, or other occupier to the exclusion of any other owner, lessee, tenant, or other occupier.

2.0. BUILDING DESCRIPTION – PROPOSED DEVELOPMENT

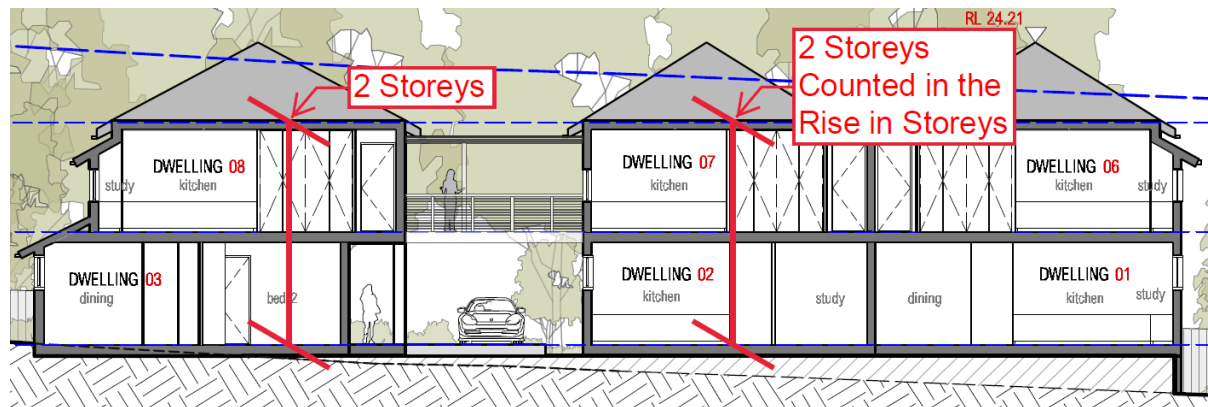
2.1. Building Code of Australia Description

For the purposes of the Building Code of Australia 2019 (BCA) the proposed development may be described as follows.

2.2. Rise in Storeys (RIS) (Clause C1.2)

The overall building has a rise in storeys of two (2) as illustrated below;

The number of storeys contained is two (2)



2.3. Building Classifications (Part A6)

The proposed building has been classified as follows.

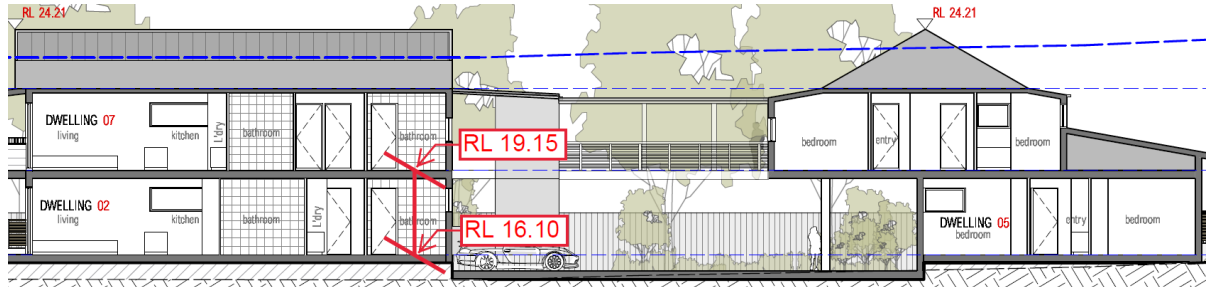
BUILDING LEVELS	PLAN LEVELS	CLASSIFICATION	USE	RIS
Ground Floor	Level 1 Floor Plan	Class 2 & Class 7a	Residential & Carpark	1
First Floor	Level 2 Floor Plan	Class 2	Residential	2
Roof	Roof Level Plan	-	-	-

2.4. Effective Height (Schedule 3)

The building has an effective height (EH) of approximately **3.05m** when measured from the floor of the topmost storey which is less than 12m.

*Lowest Point taken @ RL 16.10 (Approx.)

*Highest Point taken @ RL 19.15



2.5. Type of Construction (Table C1.1)

The building is required to be of **Type 'B'** Construction.

2.6. Floor Area and Volume Limitations (Table C2.2)

The building is subject to maximum floor area and volume limits under Type 'B' Construction of:

Class of Building Part	Floor Area & Volume		Outcome
	Max Permitted (Table C2.2)	Max. Proposed	
▪ Class 7a	3,500 m ²	< 3,500 m ²	Complies
	21,000 m ³	< 21,000 m ³	

The Class 2 portions of the building are not subject to any floor area and volume limitations of C2.2 of the BCA. Table 3 of Specification C1.1 and C3.11 of the BCA regulate compartmentalisation and separation provisions applicable to Class 2 buildings or building portions.

2.7. Fire protection and structural capacity (Clause 143)

If your development incorporates a Change of Use, Category 1 fire safety measures must be considered and implemented in to the design as applicable.

- EP1.3: A fire hydrant system (required)*
- EP1.4: An automatic fire suppression system*
- EP1.6: Suitable facilities must be provided to the degree necessary in a building to co-ordinate fire brigade intervention*
- EP2.1: Sleeping Accommodation, occupants must be provided with automatic warning*
- EP2.2: Conditions in any evacuation route must be maintained for the period of time occupants take to evacuate*
- EP3.2: One or more passenger lifts fitted as emergency lifts to serve each floor served by the lifts in a building must be installed to facilitate the activities of the fire brigade and other emergency services personnel*

2.8. Fire Brigade referral (Clause 144)

If this building requires Fire Engineering referral would need to be forwarded to the NSW Fire Brigades under a Clause 144 referral.

3.0. BCA REQUIREMENTS

Noting that the level of documentation at this stage is for a Development Application (DA) assessment purposes, an indicative compliance assessment of the referenced documents identified in Appendix B of this report has been undertaken against the Deemed-to-Satisfy Provisions of the National Building Code of Australia 2019 (BCA).

Outlined below is a summary of the Deemed-to-Satisfy Provisions of the BCA. All Deemed-to-Satisfy clauses that are applicable to the subject building have been referred to below, including a comment adjacent to each clause of the proposal's ability to satisfy each respective clause.

The abbreviations outlined below have been used in the following tables:

N / A	The Deemed-to-Satisfy clause does not apply to the subject Building.
Complies	The relevant provisions of the Deemed-to-Satisfy clause have been demonstrated by the proposed design and existing building features, notwithstanding it is at DA documentation stage.
CRA	'Compliance Readily Achievable'. It is considered that the level of detail included in the DA documentation will not determine strict compliance with the individual BCA clause requirements. However, subject to noting the requirements of each clause, it is considered BCA compliance can be readily demonstrated without significant implication to the approved design. This will occur through progression of documentation to the Construction Certificate stage of the development.
FI	Further information is necessary to determine the compliance potential of the building design.
PS	Performance Solution with respect to this Deemed-to-Satisfy Provision is possible to satisfy the relevant BCA Performance Requirements.
DNC	Does Not Comply.
DTS	Deemed-To-Satisfy provisions as defined by the National Building Code of Australia 2019.

3.1. BCA 2019 Clause by Clause Assessment

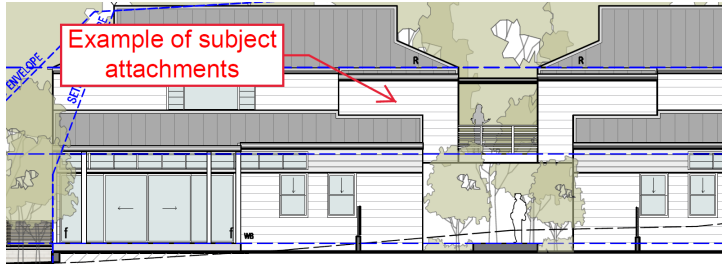
SECTION B – STRUCTURE

Part B1 – Structural Provisions			
Clause	Description	Status	Comments
B1.1	Resistance to actions	CRA	The resistance of a building or structure must be greater than the most critical action effect resulting from different combinations of actions. Structural details and a design certificate will be obtained from a qualified structural engineer prior to the issue of a Construction Certificate.
B1.2	Determination of individual actions	CRA	The magnitude of individual actions must be determined in accordance with Clause B1.2 of the BCA. Structural details and a design certificate will be obtained from a qualified structural engineer prior to the issue of a Construction Certificate.
B1.3	-	-	No Provisions.
B1.4	Determination of structural resistance of materials and forms of construction	CRA	The structural resistance of materials and forms of construction must be determined in accordance with the relevant Australian Standards in accordance with Clause B1.4 of the BCA. Structural details and a design certificate will be required by a qualified structural engineer prior to the issue of a Construction Certificate.
B1.5	Structural Software	Noted	
B1.6	Construction of building in flood hazard areas	Noted	

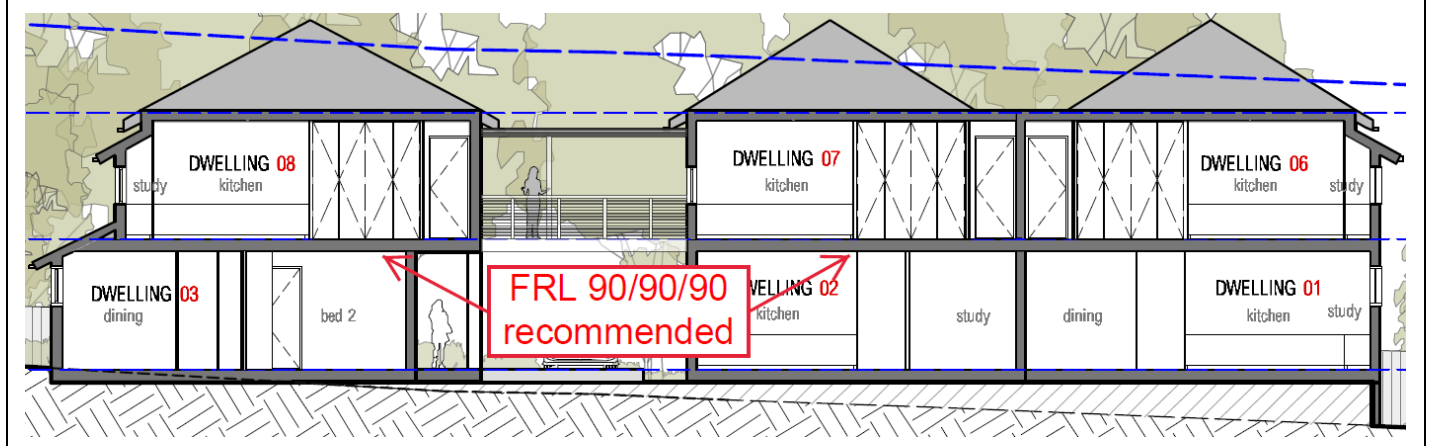
SECTION C – FIRE RESISTANCE

Part C1 – Fire Resistance and Stability			
Clause	Description	Status	Comments
C1.1	Type of construction required	CRA	The building is to be erected in Type 'B' fire resisting construction in accordance with Specification C1.1 of the BCA. Refer to 'Appendix' A for the relevant fire resisting requirements. Plans to reflect required FRLs prior to the issue of a Construction Certificate.
C1.2	Calculation of rise in storeys	Noted	The building has an overall rise in storeys of two (2) The building contains two (2) storeys.

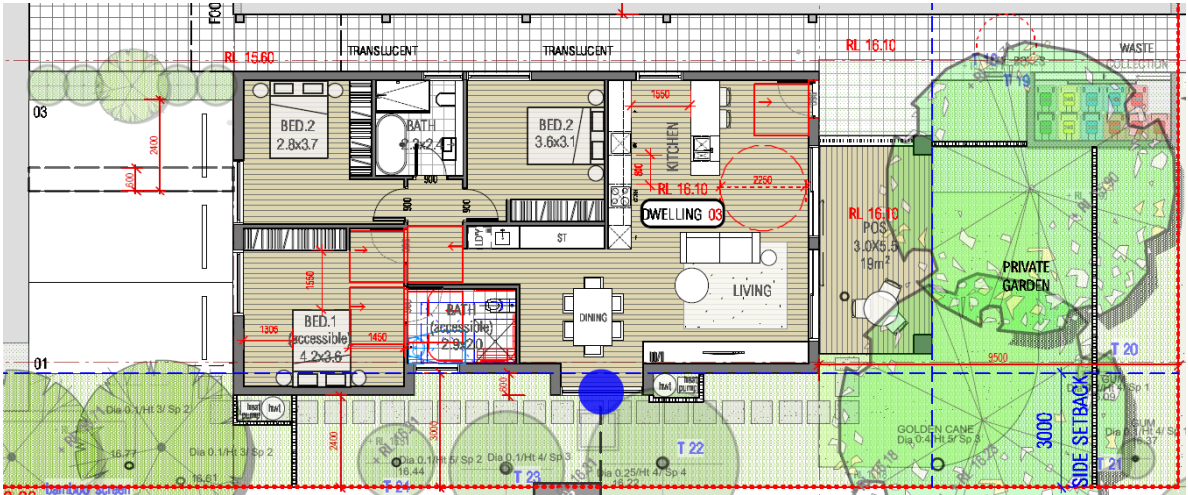
Part C1 – Fire Resistance and Stability																			
Clause	Description	Status	Comments																
C1.3	Buildings of multiple classification	Noted	The building is required to be constructed of Type 'B' fire resisting construction as the classification of the top storey is a Class 2.																
C1.4	Mixed types of Construction	Noted	If a fire wall divides the building in accordance with Clause C2.7, the building portions are able to be constructed in differing levels of fire-resistance determined in accordance with Clause C1.1 and C1.3.																
C1.5	Two storey Class 2, 3 or 9c buildings	N / A																	
C1.6	Class 4 parts of buildings	N / A																	
C1.7	Open spectator stands and indoor sports stadiums	N / A																	
C1.8	Lightweight construction	CRA	<p>Lightweight construction used in a wall system must comply with Specification C1.8.</p> <p>Lightweight construction used as a fire-resisting covering of a steel column or the like, and where the covering is not in continuous contact with the column must have the voids filled to a height of not less than 1.2m above the floor and where the column is liable to be damaged must be protected by steel or other suitable material.</p> <p>If lightweight construction is used in the proposed development, then details demonstrating required FRL and compliance with this clause must be provided prior to the issue of a Construction Certificate.</p>																
C1.9	Non-combustible building elements	CRA	<p>In a building required to be of Type B construction, the following building elements and their components must be non-combustible, concrete, masonry or fire protected timber:</p> <table border="1"> <thead> <tr> <th>Building Element</th> <th>Type B Construction</th> </tr> </thead> <tbody> <tr> <td>External wall</td> <td>Non-combustible</td> </tr> <tr> <td>Common wall</td> <td>Non-combustible</td> </tr> <tr> <td>Floor and floor framing of lift pit</td> <td>Non-combustible</td> </tr> <tr> <td>All loadbearing internal walls (including shaft walls)</td> <td>Concrete, masonry or fire-protected timber</td> </tr> <tr> <td>Loadbearing fire walls</td> <td>Concrete, masonry or fire-protected timber</td> </tr> <tr> <td>Non-loadbearing internal walls required to be fire-resistant</td> <td>Non-combustible</td> </tr> <tr> <td>Non-loadbearing lift, ventilating, pipe, garbage and like shafts which do not discharge hot products of combustion</td> <td>Non-combustible</td> </tr> </tbody> </table>	Building Element	Type B Construction	External wall	Non-combustible	Common wall	Non-combustible	Floor and floor framing of lift pit	Non-combustible	All loadbearing internal walls (including shaft walls)	Concrete, masonry or fire-protected timber	Loadbearing fire walls	Concrete, masonry or fire-protected timber	Non-loadbearing internal walls required to be fire-resistant	Non-combustible	Non-loadbearing lift, ventilating, pipe, garbage and like shafts which do not discharge hot products of combustion	Non-combustible
Building Element	Type B Construction																		
External wall	Non-combustible																		
Common wall	Non-combustible																		
Floor and floor framing of lift pit	Non-combustible																		
All loadbearing internal walls (including shaft walls)	Concrete, masonry or fire-protected timber																		
Loadbearing fire walls	Concrete, masonry or fire-protected timber																		
Non-loadbearing internal walls required to be fire-resistant	Non-combustible																		
Non-loadbearing lift, ventilating, pipe, garbage and like shafts which do not discharge hot products of combustion	Non-combustible																		

Part C1 – Fire Resistance and Stability			
Clause	Description	Status	Comments
			<p>Attachments</p> <p>Proposed attachments are to comply with the requirements of C1.9 and C1.14 of the BCA as applicable:</p>  <p>Design certification will be required verifying compliance prior to the issue of a Construction Certificate.</p>
C1.10	Fire hazard properties	CRA	<p>The fire hazard properties of all floor materials, floor coverings, wall and ceiling lining materials must comply with Specification C1.10. The fire hazard properties of all other materials must comply with Specification C1.10.</p> <p>Design certification will be required verifying compliance prior to the issue of a Construction Certificate.</p>
C1.11	Performance of external walls in fire	N / A	Concrete external walls that could collapse as complete panels (e.g. tilt-up and pre-cast concrete), in a building having a rise in storeys of not more than 2, must comply with Specification C1.11.
C1.12	-	-	No provisions
C1.13	Fire-protected timber: Concession	N / A	
C1.14	Ancillary elements	CRA	<p>An ancillary element must not be fixed, installed or attached to the internal parts or external face of an external wall that is required to be non-combustible unless it is determined to meet certain fire properties and limitations on the extent of coverage.</p> <p>Design certification will be required verifying compliance prior to the issue of a Construction Certificate.</p>

Part C2 – Compartmentation and Separation			
Clause	Description	Status	Comments
C2.1	Application of Part	Noted	Clauses C2.2, C2.3 and C2.4 do not apply to a sprinkler protected carpark, open deck carpark or open spectator stand.
C2.2	General floor area limitations	Complies	All parts of the building comply and are within compartment limitations.
C2.3	Large isolated buildings	N / A	
C2.4	Requirements for open spaces and vehicular access	N / A	
C2.5	Class 9a and 9c buildings	N / A	
C2.6	Vertical separation of Openings in external walls	N / A	Not applicable to a building of Type B Construction
C2.7	Separation by fire walls	Noted	
C2.8	Separation of classifications in the same storey	Noted	Refer to Clause C2.7 if applicable.
C2.9	Separation of classifications in different storeys	CRA	<p>The fire-resistant requirements for the concrete slab separating the different floors bounding the ground and first floor levels are obtained using Specification C1.1 and require the following FRLs:</p> <ul style="list-style-type: none"> • Ground/first floor FRL 90/90/90 (recommended as the building is constructed out of concrete column construction); or • (can be provided as FRL 30/30/30 or 60 minutes incipient spread ceiling due to the type of construction). <p>Refer to 'Appendix' A for the relevant fire resisting requirements. Plans to reflect required FRLs prior to the issue of a Construction Certificate.</p>



Part C2 – Compartmentation and Separation			
Clause	Description	Status	Comments
C2.10	Separation of lift shafts	N / A	Not applicable as the lift connects not more than 2 storeys.
C2.11	Stairways and lifts in one shaft	Complies	A stairway and lift must not be in the same shaft if either the stairway or the lift is required to be in a fire-resisting shaft. Neither the stairway nor lift are required to be in a fire-resisting shaft.
C2.12	Separation of equipment	CRA	Equipment that comprises lift motors, lift control panels, central smoke control plant, boilers or certain battery systems must be separated from the remainder of the building by construction with an FRL as required under Specification C1.1 but not less than 120/120/120 and any doorways in that construction protected with a self-closing –/120/30 fire door. Design certification will be required verifying compliance prior to the issue of a Construction Certificate.
<p>Note: Clause 6.4.2 of AS 2419.1-2005 requires that an internal pumphouse located within the building shall have the following:</p> <ul style="list-style-type: none"> • A door opening to a road or open space, or a door opening to fire-isolated passage or stair which leads to a road or open space; and • Except where the building is sprinkler protected in accordance with AS 2118.1, enclosing walls with an FRL not less than that prescribed by the BCA for a firewall for the particular building classifications served by the fire hydrant system. 			
C2.13	Electricity supply system	CRA	The following electricity supply equipment: <ul style="list-style-type: none"> • electrical substation (TBA) • main switchboard which sustains emergency equipment operating in emergency mode (TBA) • electricity conductors which supply substation or main switchboard (TBA) <p>Must be separated from the remainder of the building by construction with an FRL of not less than 120/120/120 and any doorways in that construction protected with a self-closing –/120/30 fire door.</p> <p>Final details verifying compliance can be provided on plans prior to the issue of a Construction Certificate.</p>
C2.14	Public corridors in Class 2 and 3 buildings	N / A	

Part C3 – Protection of Openings			
Clause	Description	Status	Comments
C3.1	Application of Part	Noted	Concessions and definition of certain openings.
C3.2	Protection of openings in external walls	CRA or PS	<p>Openings located within 3m of the side boundary must be protected in accordance with Clause C3.4 of the NCC.</p> <p>Compliance can be achieved by as slight redesign or alternatively via a fire engineering performance solution undertaken prior to the issue of the Construction Certificate.</p>
<p>The following external wall openings are located within 3m of the side allotment boundaries:</p> <p>Ground Floor</p> <ul style="list-style-type: none"> The eastern facing external wall opening of the Dining Area within Dwelling 03. 			
			
C3.3	Separation of external walls and associated openings in different fire compartments	Noted	If fire walls are provided.
C3.4	Acceptable method of protection	CRA or PS	<p>Window openings that are required to be protected are to be protected by wall wetting sprinklers with windows that are automatic closing or permanently fixed in the closed position, --/60/-- fire windows or --/60/60 automatic fire shutters.</p> <p>Other openings that required to be protected are to be protected by internal or external wall-wetting sprinklers or have construction with an FRL not less than --/60/--.</p> <p>Alternatively, a fire engineering performance solution can be undertaken to achieve compliance with the performance requirements of the BCA.</p> <p>Plans to reflect required FRLs and location of openings protected in accordance with Clause C3.4 of the BCA prior to the issue of a Construction Certificate.</p>

Part C3 – Protection of Openings			
Clause	Description	Status	Comments
C3.5	Doorways in fire walls	Noted	
C3.6	Sliding fire doors	N / A	
C3.7	Protection of doorways in horizontal exits	Noted	
C3.8	Openings in fire isolated exits	Noted	No fire isolated exits proposed in the current design.
C3.9	Service penetrations in fire isolated exits	Noted	No fire isolated exits proposed in the current design.
C3.10	Openings in fire isolated lift shafts	Noted	No fire isolated exits proposed in the current design.
C3.11	Bounding construction: Class 2, 3, 4 and 9 buildings	CRA or PS	<p>As this building is Type 'B' construction, doorways of the Class 2 residential sole occupancy units which open into the enclosed common corridors or the like are to be fitted with a self-closing, tight fitting, solid core door, not less than 35 mm thick.</p> <p>Additionally, in a Class 2 building where a path of travel to an exit does not provide a person seeking egress with a choice of travel in different directions to alternative exits and is along an open balcony, landing or the like and passes an external wall of another sole-occupancy unit or a room not within a sole-occupancy unit, then that external wall must have any windows or other openings located at least 1.5 m above the floor of the balcony, landing or the like or protected internally in accordance with C3.4.</p> <p>Note: The construction separating the Class 2 SOU's from the ground floor carpark are to comply with Table 4 of Specification C1.1 and Clause C3.11 of the BCA (refer to Spec C1.1 of this report for further details).</p> <p>Design verification to be provided prior to the issue of the Construction Certificate.</p> <p>Please also note 2 points:</p> <p>1: Walls within Class 2 and 3 buildings require Sound Ratings under F5. SOU doors are to incorporate an assembly which as an Rw not less than 30 from common areas.</p> <p>2: The SOU doors however still need to transmit at least 85 or 100 dB(A) depending on the alarms system selected under Spec E2.2a Clause 6, as part of the Building Occupant Warning System. Occupants within the unit need to hear the buildings alarm system.</p>

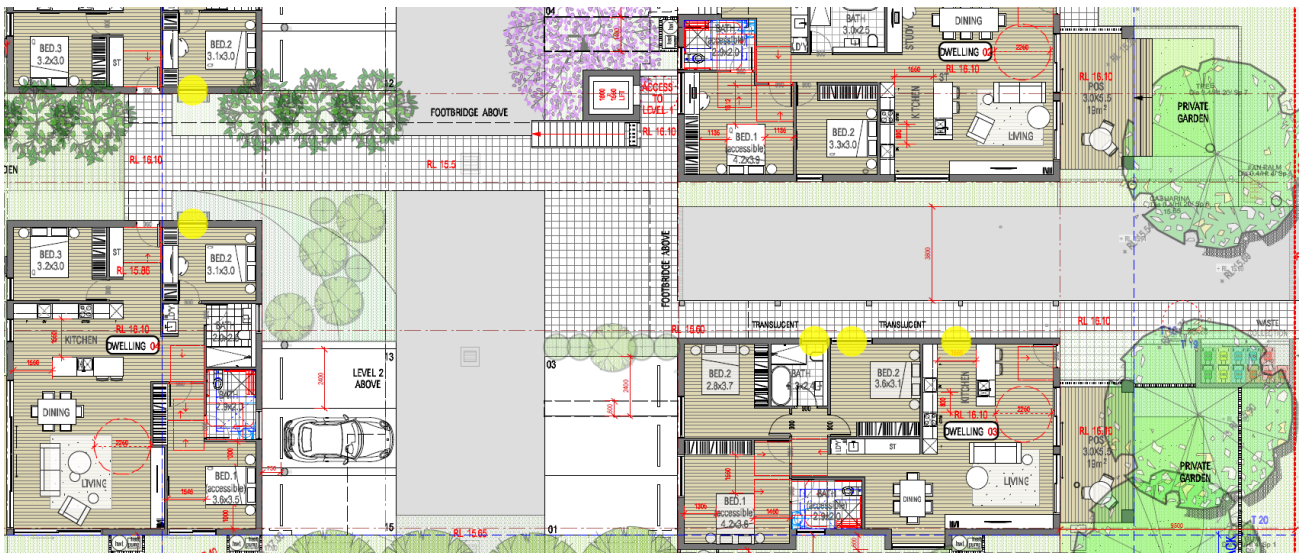
Part C3 – Protection of Openings

Clause	Description	Status	Comments
--------	-------------	--------	----------

The following external wall openings require to be at least 1.5m above the floor level or protected in accordance with C3.4:

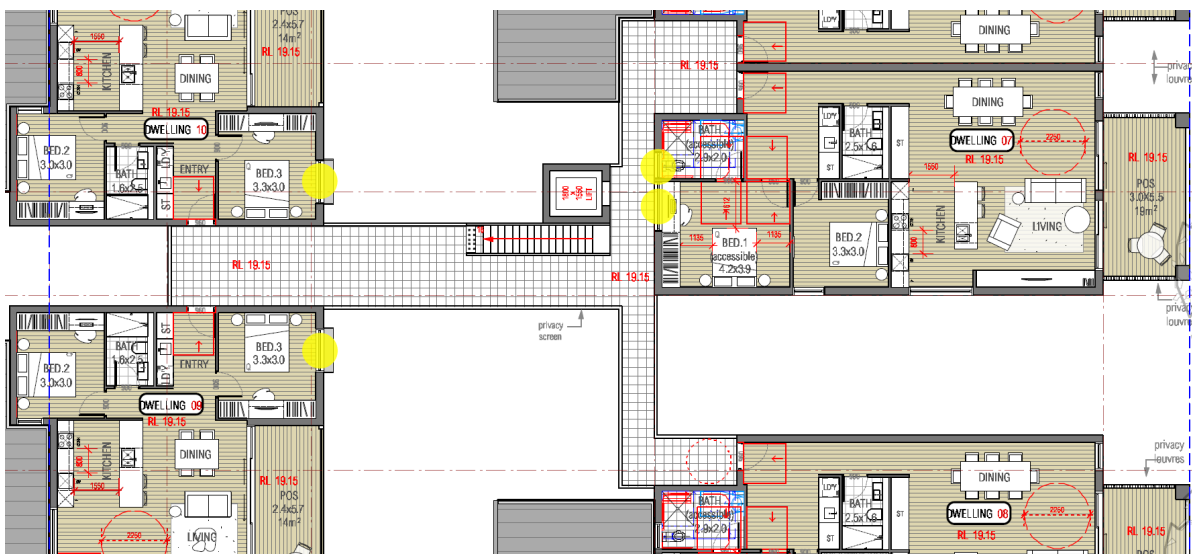
Ground Floor

Numerous ground floor units along the path of travel leading to the road appear not to be provided with a minimum 1.5m sill height.



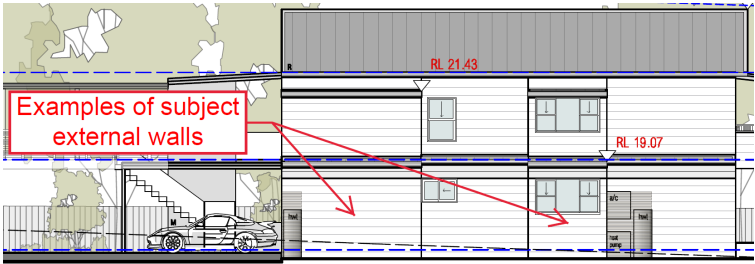
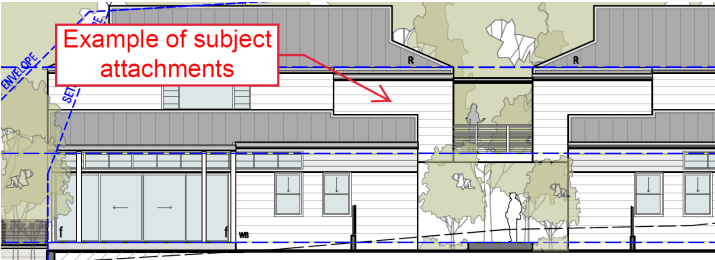
First Floor

Numerous first floor units along the path of travel leading to the road appear not to be provided with a minimum 1.5m sill height.



Compliance can be achieved via compliance with Clause C3.4 and Spec C3.4 of the BCA or alternatively a fire engineering performance solution can be undertaken prior to the issue of the Construction Certificate.

Part C3 – Protection of Openings			
Clause	Description	Status	Comments
C3.12	Openings in floors for services	CRA	Services passing through floors are to be placed within fire resisting shafts or in accordance with Clause C3.15. Details verifying compliance must be provided on plans prior to the issue of a Construction Certificate.
C3.13	Openings in shafts	N / A	Not applicable to a building of Type B Construction
C3.14	-	-	No provisions
C3.15	Openings for service installation	CRA	Where services (e.g. hydraulic, mechanical, plumbing, electrical) penetrate a building element that is required to achieve an FRL with respect to integrity or insulation or a resistance to the incipient spread of fire then that installation must be protected / sealed (e.g. fire collars, fire dampers etc) by material that is identical to tested prototypes and in accordance with AS4072.1 and AS1530.4, and having achieved the required FRL or resistance to the incipient spread of fire or other specified method. Details verifying compliance must be provided on plans prior to the issue of a Construction Certificate.
C3.16	Construction Joints	CRA	Construction joints are to be installed in accordance with a tested prototype in accordance with AS1530.4. Details verifying compliance must be provided on plans prior to the issue of a Construction Certificate.
C3.17	Columns protected with lightweight construction	CRA	Columns must be protected in accordance with the identical tested prototype. Details verifying compliance must be provided on plans prior to the issue of a Construction Certificate.

Specification C1.1–Fire-Resisting Construction			
Clause	Description	Status	Comments
Spec C1.1	Requirements for Type B construction	CRA	<p>Clause C1.1 requires the building to be constructed as Type B construction in accordance with Part 2, Part 4 and Table 4 of Specification C1.1 of the BCA.</p> <p>Ground Floor Bounding Walls</p> <p>Note: all bounding construction separating the Class 7 Carpark and the Class 2 sole occupancy units above are to achieve the minimum FRL's specified under Table 4 of Specification C1.1 of the BCA.</p> <p>External Walls</p> <p>All load-bearing and non-load-bearing walls are required to achieve an FRL tested from both sides as stipulated by Table 4 of Specification C1.1.</p>  <p>Attachments</p> <p>All attachments are to comply with the requirements in Specification C1.1 & Clause C1.10 and meet the intent of Clause 2.4 of Spec C1.1.</p>  <p>Details verifying compliance must be provided on plans prior to the issue of a Construction Certificate.</p>

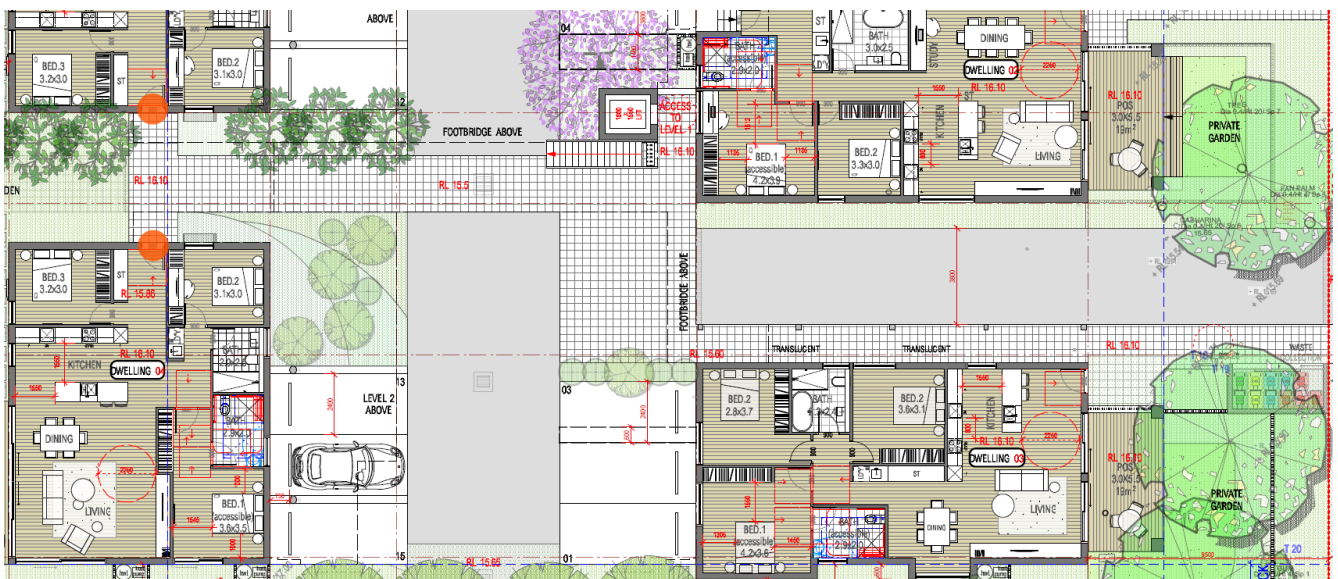
SECTION D – ACCESS AND EGRESS

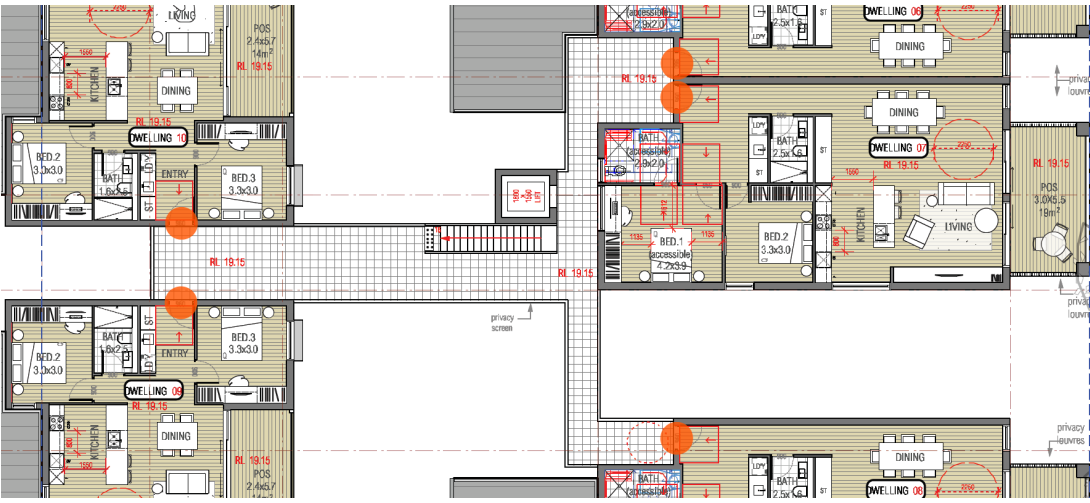
Part D1 – Provision for Escape			
Clause	Description	Status	Comments
D1.1	Application of Part	Noted	Does not apply to the internal parts of a sole occupancy unit in a Class 2, 3 or 4 building.
D1.2	Number of exits required	Complies	Building has effective height less than 25m. Each storey is to have at least one (1) exit.
D1.3	When fire isolated exits are required	Complies	In a Class 2 building, a required non-fire-isolated stairway is permitted if it connects, passes through or passes by not more than 3 consecutive storeys and one extra storey if it is only for the accommodation of motor vehicles or for other ancillary purposes. The stairway(s) appear to comply with the requirements of this Clause.
D1.4	Exit travel distances	PS	The entrance doorway of any sole-occupancy unit must be not more than 6 m from an exit or from a point from which travel in different directions to 2 exits is available or 20 m from a single exit serving the storey at the level of egress to a road or open space. No point on the floor of a room which is not in a sole-occupancy unit must be more than 20 m from an exit or from a point at which travel in different directions to 2 exits is available. Compliance can be achieved via a fire engineering performance solution undertaken prior to the issue of the Construction Certificate.

Ground Floor

The following SOU's retain distances of greater than 20m to a road or open space in lieu of 20m and include:

- Dwelling 04; and
- Dwelling 05.



Part D1 – Provision for Escape			
Clause	Description	Status	Comments
First Floor			
<p>The following SOU's retain distances of up to 15.8m to a single exit in lieu of 6m and include:</p> <ul style="list-style-type: none"> • Dwelling 06; • Dwelling 07; • Dwelling 08; • Dwelling 09; and • Dwelling 10. 			
			
D1.5	Distances between alternative exits	N / A	The current design consists of single exits on all floors, so alternative exit requirements do not apply.
D1.6	Dimensions of exits	CRA	<p>In a required exit or path of travel, the unobstructed height throughout must be not less than 2m, except the unobstructed height of any doorway must be reduced to not less than 1980mm. The unobstructed width of each exit or path of travel to an exit except a doorway must not be less than 1m.</p> <p>The unobstructed width must be measured clear of all obstructions such as handrails, projecting parts of balustrades or other barriers and the like.</p> <p>Note: all service and common areas such as the residential bin storage room are required to be provided with a clear exit width of 1m.</p> <p>Non-Fire Isolated Stairways and Ramps</p> <p>All non-fire isolated stairways and ramps serving the building must include double handrails and tactile indicators in accordance with AS 1428.1-2009. It should be noted that the inclusion of the AS 1428.1-2009 compliant handrails to the subject stairway will reduce the unobstructed width between the handrails to less than 1m.</p> <p>Please note: Internal non-fire isolated stairs must incorporate a double handrail as required under D3, stairs are to be >1.2m wide to cater for this requirement.</p> <p>Details verifying compliance must be provided on plans prior to the issue of a Construction Certificate.</p>

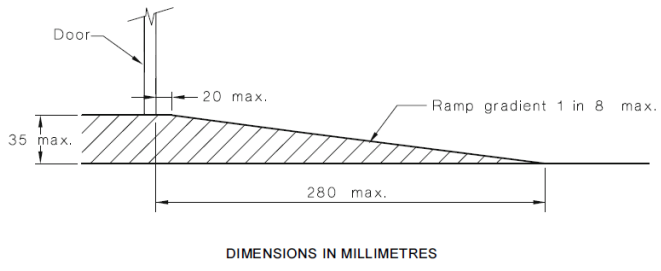
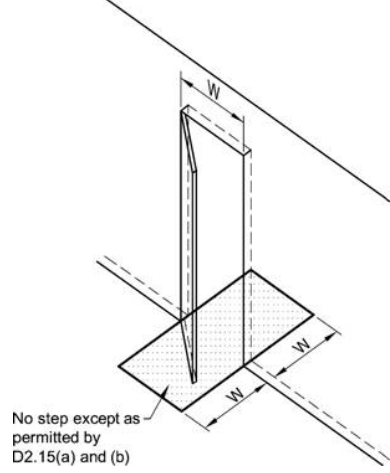
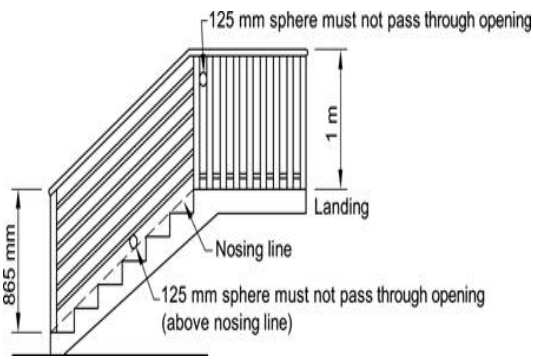
Part D1 – Provision for Escape			
Clause	Description	Status	Comments
D1.7	Travel via fire-isolated exits	N / A	The current design proposes no fire-isolated exits.
D1.8	External stairways in lieu of fire-isolated exits	CRA	<p>An external stairway or ramp may serve as a required exit in lieu of a fire-isolated exit serving a storey below an effective height of 25 m, if the stairway or ramp is non-combustible throughout and protected in accordance with D1.8(c) if it is within 6 m of, and exposed to any part of the external wall of the building it serves.</p> <p>Details verifying compliance must be provided on plans prior to the issue of a Construction Certificate.</p>
D1.9	Travel by Non-fire-isolated Stairways or ramps	CRA	<p>A required non-fire-isolated stairway or ramp must provide a continuous means of travel by its own flights and landings from every storey served to the level at which egress to a road or open space is provided.</p> <p>In a Class 2 building, the distance between the doorway of a sole-occupancy unit and a road or open space via a required non-fire-isolated stairway or ramp must not exceed 60m.</p> <p>A required non-fire-isolated stairway or ramp serving the carpark must discharge at a point not more than 20 m from a road or open space or from a fire-isolated passageway leading to a road or open space.</p> <p>Details verifying compliance must be provided on plans prior to the issue of a Construction Certificate.</p>
D1.10	Discharge from exits	CRA	<p>Suitable barriers such as bollards are to be provided to prevent the blockage of exits by vehicles, etc.</p> <p>All external ramps that are used as a path from an exit to a road must have a gradient not steeper than 1:8 at any part.</p> <p>Details verifying compliance must be provided on plans prior to the issue of a Construction Certificate.</p>
D1.11	Horizontal exits	N / A	The current design does not consist of required horizontal exits.
D1.12	Non-required stairs, ramps or escalators	Noted	
D1.13	Number of persons accommodated	Noted	
D1.14	Measurement of distance	Noted	
D1.15	Method of measurement	Noted	
D1.16	Plant rooms and lift machine rooms: Concession	N / A	
D1.17	Access to lift pits	CRA	Final details as to the lift shafts and pits are required.



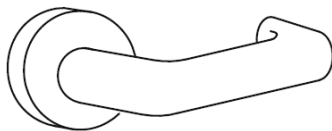
Part D1 – Provision for Escape			
Clause	Description	Status	Comments
	DANGER: LIFTWELL ENTRY OF UNAUTHORISED PERSONS PROHIBITED KEEP CLEAR AT ALL TIMES		<p>(a) where the pit depth is not more than 3 m, be through the lowest landing doors; or</p> <p>(b) where the pit depth is more than 3 m, be provided through an access doorway complying with the following:</p> <ul style="list-style-type: none">(i) In lieu of D1.6, the doorway must be level with the pit floor and not be less than 600 mm wide by 1980 mm high clear opening, which may be reduced to 1500 mm where it is necessary to comply with (ii).(ii) No part of the lift car or platform must encroach on the pit doorway entrance when the car is on a fully compressed buffer.(iii) Access to the doorway must be by a stairway complying with AS 1657.(iv) In lieu of D2.21, doors fitted to the doorway must be—<ul style="list-style-type: none">(A) of the horizontal sliding or outwards opening hinged type; and(B) self-closing and self-locking from the outside; and(C) marked on the landing side with the letters not less than 35 mm high: <p>“DANGER LIFTWELL – ENTRY OF UNAUTHORIZED PERSONS PROHIBITED – KEEP CLEAR AT ALL TIMES”</p>

Part D2 – Construction of Exits			
Clause	Description	Status	Comments
D2.1	Application of Part	Noted	
D2.2	Fire isolated stairs or ramps	N / A	The current design proposes no fire-isolated exits.
D2.3	Non-fire-isolated stairways and ramps	CRA	Required stairs that are not required to be within a fire-resting shaft are to be constructed of concrete, steel (6mm), or timber (44mm) of specified minimum dimensions. Engineering details are to be submitted with the Construction Certificate Documentation.
D2.4	Separation of rising and descending stair flights	N / A	If a stairway serving as an exit is required to be fire-isolated, there must be no direct connection between a flight rising from a storey below the lowest level of access to a road or open space and a flight descending from a storey above that level. Furthermore, any construction that separates or is common to the rising and descending flights must be non-combustible; and smoke proof in accordance with Clause 2 of Specification C2.5.
D2.5	Open access ramps and balconies	N / A	
D2.6	Smoke lobbies	N / A	
D2.7	Installations in exits and paths of travel	CRA	Electrical boards and the like are to be located within and enclosed by non-combustible construction or have a fire-protective covering with the doorway suitably sealed against smoke spreading from the enclosure. Design verification is to be provided prior to the issue of the Construction Certificate.
D2.8	Enclosure of space under stairs and ramps	CRA	The space below non fire-isolated stairs must not be enclosed to form a cupboard or similar enclosed space unless the enclosing walls have an FRL of not less than 60/60/60 and any doorway to the enclosed space is fitted with a self-closing –/60/30 fire door. Design verification is to be provided prior to the issue of the Construction Certificate.
D2.9	Width of stairways	Noted	Stairway width is to be measured clear of obstructions such as handrails, projecting parts of balustrades or other barriers and the like and extend to a height of not less than 2m.
D2.10	Pedestrian ramps	CRA	Ramps serving as a required exit must not have a gradient steeper than 1:8. If the ramp is required for disabled access under Part D3 it must comply with AS1428.1. The surface of the ramp must have a non-slip finish. Note: The floor surface of a ramp must have a slip-resistance classification not less than that listed in Table D2.14 of the BCA when tested in accordance with AS 4586-2013.

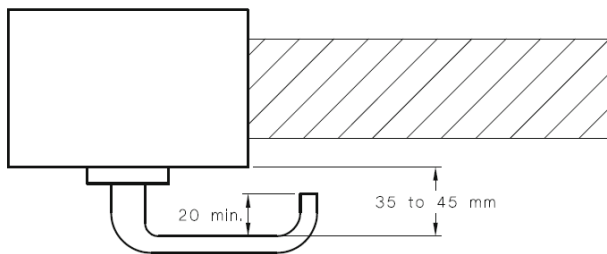
Part D2 – Construction of Exits																		
Clause	Description	Status	Comments															
D2.11	Fire-isolated passageways	N / A	The current design proposes no fire-isolated passageways.															
D2.12	Roof as open space	N / A																
D2.13	Goings and risers	CRA	<p>Stairs are to have risers measuring between 115-190mm and goings between 250-355.</p> <p>Goings and Risers are to satisfy the equation of $2R+G=700(\text{max})$ and $550(\text{min})$.</p> <p>Goings and risers are to be consistent throughout in one flight. Any gap between risers must not permit a 125mm sphere to pass through it.</p> <p>Ensure all stairways throughout the building do not contain less than 2 or more than 18 risers.</p> <p>All treads and surfaces with a slip resistant classification are to be fitted with non-slip finish or non-skid strips compliant with the requirements of Table D2.14 when tested in accordance with AS4586-2013 and 30% colour contrasting nosings.</p> <p>Final details are to be submitted with the Construction Certificate Documentation.</p>															
D2.14	Landings	CRA	<p>Landings must comply with the requirements of Clause D2.14 of the BCA. Landings must be not less than 750mm long and have a non-slip finish throughout or an adequate non-skid strip near the edge of the landing where it leads to a flight below and 30% colour contrasting nosings.</p> <p>Strips at the edge of the landing with slip-resistance classification not less than that listed in Table D2.14 when tested in accordance with AS 4586-2013, where the edge leads to a flight below.</p> <p>Table D2.14 Slip-resistance classification</p> <table border="1"> <thead> <tr> <th>Application</th> <th>Dry surface conditions</th> <th>Wet surface conditions</th> </tr> </thead> <tbody> <tr> <td>Ramp steeper than 1:14</td> <td>P4 or R11</td> <td>P5 or R12</td> </tr> <tr> <td>Ramp steeper than 1:20 but not steeper than 1:14</td> <td>P3 or R10</td> <td>P4 or R11</td> </tr> <tr> <td>Tread or landing surface</td> <td>P3 or R10</td> <td>P4 or R11</td> </tr> <tr> <td>Nosing or landing edge strip</td> <td>P3</td> <td>P4</td> </tr> </tbody> </table> <p>Final details are to be submitted with the Construction Certificate Documentation.</p>	Application	Dry surface conditions	Wet surface conditions	Ramp steeper than 1:14	P4 or R11	P5 or R12	Ramp steeper than 1:20 but not steeper than 1:14	P3 or R10	P4 or R11	Tread or landing surface	P3 or R10	P4 or R11	Nosing or landing edge strip	P3	P4
Application	Dry surface conditions	Wet surface conditions																
Ramp steeper than 1:14	P4 or R11	P5 or R12																
Ramp steeper than 1:20 but not steeper than 1:14	P3 or R10	P4 or R11																
Tread or landing surface	P3 or R10	P4 or R11																
Nosing or landing edge strip	P3	P4																
D2.15	Thresholds	CRA	<p>A threshold of a doorway must not incorporate a step or ramp at any point closer to the doorway than the width of the door leaf unless the door opens to a road or open space, external stair landing or external balcony and the doorsill is not more than 190mm above the finished surface of the ground balcony or the like to which the door opens.</p> <p>Final details are to be submitted with the Construction Certificate Documentation.</p>															
<p>Note: If the door is in a path of travel required to be accessible D3, obviously a step is not allowed.</p> <p>Note: This applies to all Fire Isolated Exit Doors also including the last exit door to open space.</p>																		

Part D2 – Construction of Exits			
Clause	Description	Status	Comments
	 <p>DIMENSIONS IN MILLIMETRES</p> <p>FIGURE 21 THRESHOLD RAMP</p>		 <p>No step except as permitted by D2.15(a) and (b)</p>
D2.16	Balustrades	CRA	<p>Balustrades complying with Deemed-to-Satisfy provisions of the BCA are to be provided to where the level of the surface below is 1m or more. Balustrades must also be provided where the level of the surface beneath is more than 4m where it is possible for a person to fall through an openable window.</p>
	 <p>125 mm sphere must not pass through opening</p> <p>1 m</p> <p>Landing</p> <p>Nosing line</p> <p>865 mm</p> <p>125 mm sphere must not pass through opening (above nosing line)</p>		<p>Where the level of the surface below is 4m or more, a balustrade or other barrier must not facilitate climbing of horizontal elements between 150mm and 760mm above the floor.</p> <p>Any opening in the balustrade must not permit a 125mm sphere to pass through the balusters.</p> <p>Wire balustrades must be constructed to comply with Clause D2.16 (h) and Tables D2.16a and D2.16b.</p> <p>Details demonstrating compliance with this clause must be incorporated into the architectural drawings prior to the issue of a Construction Certificate.</p>
D2.17	Handrails	CRA	<p>Handrails are to be provided to at least one side of stair flights within fire isolated stairs and both side in any other case (See D3) and located not less than 865mm above the nosings of stair treads and the floor surfaces of landings.</p> <p>All internal stairways within the residential SOU's are to include single handrails as required by this Clause.</p> <p>NOTE: Under BCA 2013, handrails to internal SOU's are now also required.</p> <p>Details demonstrating compliance with this clause must be incorporated into the architectural drawings prior to the issue of a Construction Certificate.</p>
D2.18	Fixed platforms walkways, stairways and ladders	CRA	<p>Fixed platforms, walkways, stairways, ladders, landings, handrails, balustrades and any tread or riser in a plant room, lift motor room or the like is to comply with AS1657.</p>

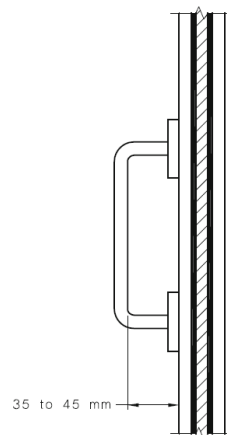
Part D2 – Construction of Exits			
Clause	Description	Status	Comments
D2.19	Doorways and doors	N / A	No power-operated doors are proposed in a path of travel to a required exit in this building.
D2.20	Swinging doors	CRA	<p>The door swings pertaining to the required exits appear to comply with the requirements of this clause.</p> <p>Details demonstrating compliance with this clause must be incorporated into the architectural drawings prior to the issue of a Construction Certificate.</p>
D2.21	Operation of latch	CRA	<p>The latch of a door in a required exit, forming part of a required exit or in the path of travel is to be readily openable without a key from the side of that faces a person seeking egress. It is to have a single downward action or pushing action and to be located between 900mm and 1100mm from the floor.</p> <p>Where the latch operation referred to above is not located on the door leaf itself, manual controls to power-operated doors must be at least 25mm wide, proud of the surrounding surface located not less than 500mm from an internal corner, and:</p> <ul style="list-style-type: none"> • for a hinged door located between 1m and 2m from the door leaf in any position, or • for a sliding door located within 2m of the doorway and clear of a surface mounted door in the open position. <p>Design verification to be provided prior to the issue of the Construction Certificate.</p>



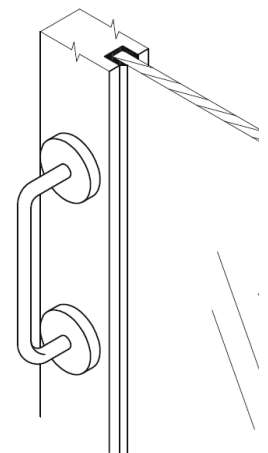
(a) Isometric view



(b) Plan view



SECTIONAL ELEVATION



ISOMETRIC VIEW

FIGURE 35(A) EXAMPLE OF ACCEPTABLE DOOR HARDWARE FOR HINGED DOORS

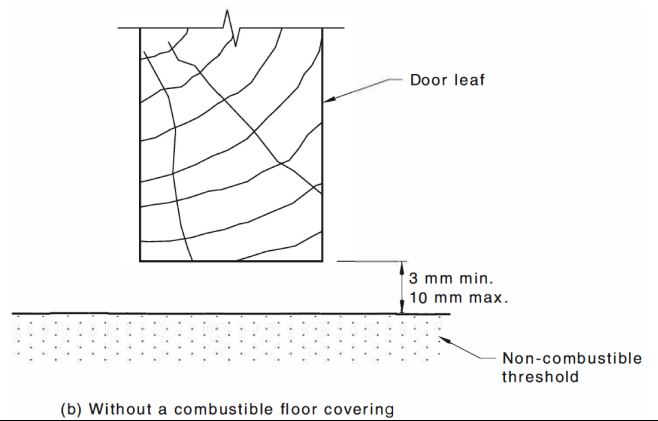
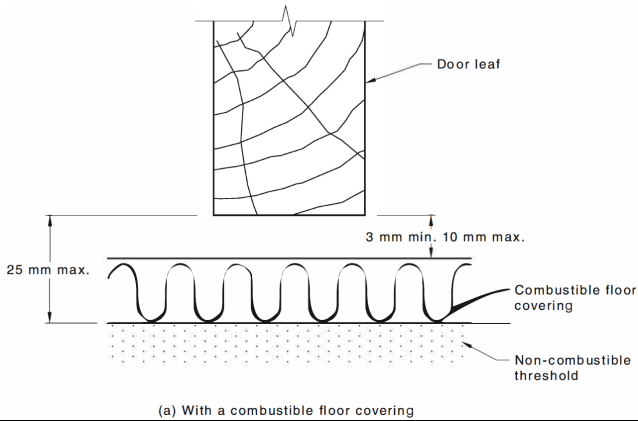
D2.22	Re-entry fire-isolated exits	N / A	
-------	------------------------------	-------	--

Part D2 – Construction of Exits			
Clause	Description	Status	Comments
D2.23	Signs on doors	Noted	<p>Fire Door and Smoke Door signage is required to be provided to all doors giving access to and egress from the fire isolated stairways.</p> <p>NOTE: Braille Exit Level Signs are to be Installed at Each Exit Also. D3.6</p>
<div style="border: 1px solid black; padding: 5px; background-color: #f0f0f0;"> <p style="text-align: center;">FIRE SAFETY DOOR DO NOT OBSTRUCT DO NOT KEEP OPEN</p> </div> <div style="border: 1px solid black; padding: 5px; background-color: #f0f0f0;"> <p style="text-align: center;">FIRE SAFETY DOOR DO NOT OBSTRUCT</p> </div> <div style="border: 1px solid black; padding: 5px; background-color: #f0f0f0;"> <p style="text-align: center;">WARNING: SLIDING FIRE DOOR</p> </div> <div style="border: 1px solid black; padding: 5px; background-color: #f0f0f0;"> <p style="text-align: center;">OFFENCES RELATING TO FIRE EXITS</p> <p>By virtue of the regulations under the Environmental Planning And Assessment Act 1979, it is an offence:</p> <p>(a) to place anything in this exit that may impede the free passage of persons, or</p> <p>(b) to interfere with or cause obstruction or impediment to, the operation of the doors providing access to this exit, or</p> <p>(c) to remove, damage or otherwise interfere with this notice.</p> </div>		<p>Any Fire Door require the standard signage, “Fire Safety Door, Do not Obstruct, Do Not Keep Open etc ” along with the EP& A Notice ;</p> <ul style="list-style-type: none"> – A Fire Door on a auto-closing or fire trip is to incorporate the following wording: “FIRE SAFETY DOOR—DO NOT OBSTRUCT” – A Self-Closing Fire Doors are to incorporate the following wording: “FIRE SAFETY DOOR —DO NOT OBSTRUCT —DO NOT KEEP OPEN” – For the last door discharging from a fire isolated exit, (Door opening on to open space/outside) <ul style="list-style-type: none"> – “FIRE SAFETY DOOR—DO NOT OBSTRUCT”. <p>Along with the required BCA signage, the EPA & A Regulations require a warning notice to be displayed in a conspicuous position adjacent to a doorway providing access to, but not within, that stairway, passageway or ramp:</p> <ul style="list-style-type: none"> – OFFENCE RELATING TO FIRE EXITS <p>It is an offence under the Environmental Planning and Assessment Act 1979:</p> <p>(a) to place anything in or near this fire exit that may obstruct persons moving to and from the exit, or</p> <p>(b) to interfere with or obstruct the operation of any fire doors, or</p> <p>(c) to remove, damage or otherwise interfere with this notice.</p>	
<p>All fire doors and frames are to be tagged in accordance with AS 1905.1-2015 and a complete door schedule is to be provided at the Occupation Certificate Stage.</p>		<div style="border: 1px solid black; padding: 10px; text-align: center;"> <p>FIRE DOORFRAME (DOOR LEAF)—TO AS 1905.1:XXXX FRL -/60/30 MANUFACTURED BY (BUSINESS NAME) DOORSET CERTIFIER—(BUSINESS/INDIVIDUAL NAME) DOOR NUMBER YEAR OF MANUFACTURE</p> </div>	

Part D2 – Construction of Exits

Clause	Description	Status	Comments
--------	-------------	--------	----------

Clearances under and the side of fire doors are to be in accordance with AS 1905.1-2015



(Company Name)
FIRE DOOR CERTIFICATE
Certificate Number 12345

Project Name:

Building Owner/ Representative:

Building Address:

The member company nominated certifies the following:

- The fire doorsets installed in this building comply with AS 1905.1:XXXX.
- The fire doorsets are labelled as required by the appropriate regulatory authorities in accordance with Australian Standard AS 1905.1:XXXX.
- A manual dealing with the fire-resistant doorsets installed in this building has been completed in accordance with AS 1905.1:XXXX.
- A paper-based copy of the manual has been provided to the building owner/representative.

Certified by: Member Company

Name of Certifier:

Signature:

Date:

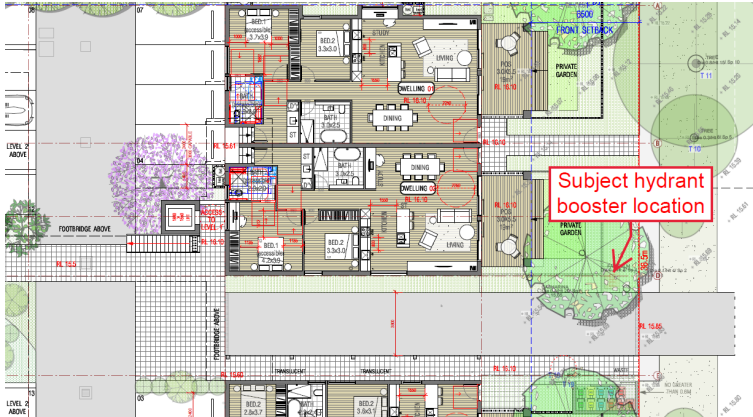
Fire Resistant Doorset—Schedule of Evidence						
Project name:				Date of installation:		
Building address:						
Building owner/ representative:			Date of certification:			
Door identification number						
Door location						
Door leaf type and manufacturer						
Door facing and edging material						
Door dimensions		Width	Height	Thickness		
Frame type and manufacturer						
Frame fixing and backfill material						
Wall type and FRL						
Doorset FRL						
Doorset hardware						
Lock	Make	Model	Type	Materials on leaf	Materials on frame	FRL
Furniture	Make	Model	Type	Materials on leaf	Materials on frame	FRL
Fixtures	Make	Model	Type	Materials on leaf	Materials on frame	FRL
Fittings	Make	Model	Type	Materials on leaf	Materials on frame	FRL
Vision panel	Make	Model	Type	Materials on leaf	Materials on frame	FRL
XXXX	Make	Model	Type	Materials on leaf	Materials on frame	FRL
Test report references						
Assessment report references						
Date of final inspection		Certificate No.	Inspecting officer		Thickness	
Date of Certification		Doorset Certifier's Name and (if applicable) Licence No.		Doorset Certifier's Business Name		
Operating and maintenance information						
Doorframe						
Doorset						
Lock						
Furniture						
Fixtures						
Fittings						
Vision panel						

Part D2 – Construction of Exits			
Clause	Description	Status	Comments
D2.24	Protection of Operable Windows	CRA	<p>All window openings throughout the development must be provided with protection, if the floor below the window is 2m or more above the surface beneath in a Class 2 building.</p> <p>Where the lowest level of the window opening is less than 1.7m above the floor, the operable portion of the window must be protected with a device capable of restricting the window opening or a screen with secure fittings.</p> <p>A device or screen must:</p> <ul style="list-style-type: none"> • Not permit a 125mm sphere to pass through the window opening or screen; • Resist an outward horizontal action of 250N against the window restraining device or screen protecting the opening; and • Have a child restraint release mechanism if the screen or device is able to be removed, unlocked or overridden. <p>A barrier with a height not less than 865mm above the floor is required to an openable window in addition to window protection, when a child resistant release mechanism is required and where the floor below the window is 4m or more above the surface beneath if the window is not provided with protection. The barrier must not permit a 125mm sphere to pass through it and must not contain any horizontal or near horizontal elements between 150mm and 760mm above the floor that facilitate climbing.</p> <p>Details demonstrating compliance with this clause must be incorporated into the architectural drawings prior to the issue of a Construction Certificate.</p>
D2.25	Timber stairways: Concession	N / A	
NSW D2.101	Doors of travel in an entertainment venue	N / A	

Part D3 – Access for People with Disabilities
<p>An assessment of the Deemed-to-Satisfy provisions of the BCA relating to access for people with disabilities is outside the scope of this report.</p> <p>A detailed assessment of access provisions by a suitably qualified Access Consultant is recommended.</p>

SECTION E – SERVICES AND EQUIPMENT

Part E1 – Fire Fighting Equipment

Clause	Description	Status	Comments
E1.1	-	-	No Provisions
E1.2	-	-	No Provisions
E1.3	Fire Hydrants	CRA or PS	<p>Fire Hydrant Coverage is required throughout the whole building in accordance with AS 2419.1.</p> <p>Location of fire hydrant booster system appears to be within 10m of the building without a surrounding fire rated construction as required by AS2419.1.</p>  <p>Compliance can be achieved via slight redesign or alternatively a fire engineering performance solution can be undertaken prior to issue of the Construction Certificate.</p> <p>Fire hydrant pump room (if required) location to be provided prior to the issue of the Construction Certificate.</p> <p>Final plans and a design certificate from a qualified hydraulic engineer prior to the issue of a Construction Certificate.</p> <p><i>Please note: If variations from AS2419.1 are required, a Clause 188 approval may be required to be submitted to the NSW Fire Brigade for approval, please allocate time for this process if required.</i></p>

AS2419.1:2005

3.2.2.2 Location External fire hydrants shall be located as follows:

(a) In a position that provides pedestrian access to the building for the fire brigade.

(b) When installed as a feed fire hydrant [See Figure 3.2.2.2(a), (b), (d) and (e)], within 20 m of a hardstand such that when a fire brigade pumping appliance is connected to it—

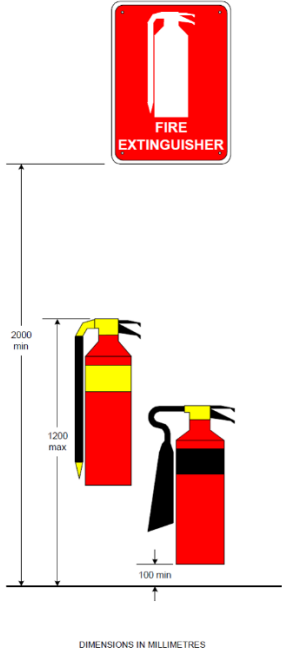
- (i) all portions of the building shall be within reach of a 10 m hose stream, issuing from a nozzle at the end of a 60 m length of hose laid on the ground; and
- (ii) a minimum of 1 m of hose shall extend into any room served.

(c) Where installed as an attack fire hydrant [see Figure 3.2.2.2(f)], within 50 m of a hardstand such that when connected directly to the external attack fire hydrant—



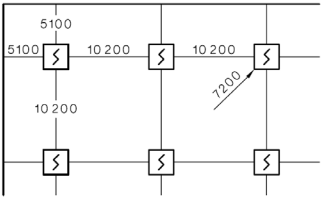
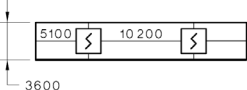
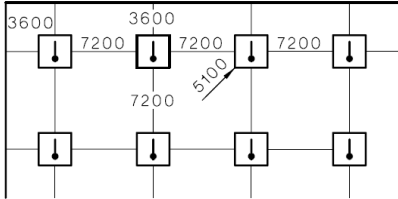
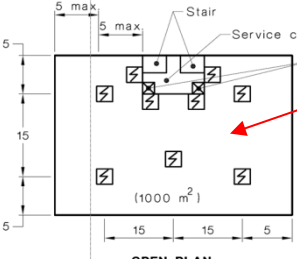
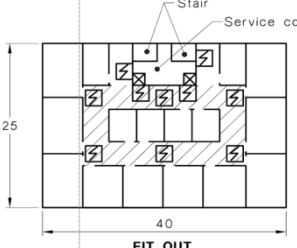
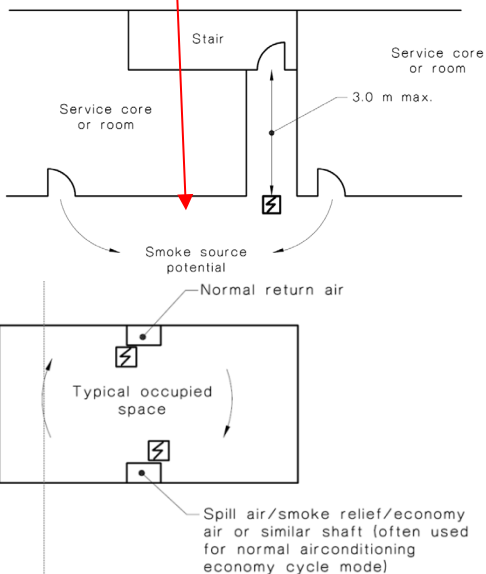
Part E1 – Fire Fighting Equipment			
Clause	Description	Status	Comments
	<p>(i) all portions of the building shall be within reach of a 10 m hose stream, issuing from nozzle at the end of a 60 m length of hose laid on the ground; and</p> <p>(ii) a minimum of 1 m of hose shall extend into any room served.</p> <p>(d) Where installed in a system fitted with a fire brigade booster assembly and having feed fire hydrant performance only [see Figure 3.2.2.2(c)], within 20 m of a fire brigade pumping appliance located on a hardstand. All portions of the building shall be within reach of a 10 m hose stream, issuing from a nozzle at the end of 60 m length of hose laid on the ground with a minimum of 1 m of hose extending into any room served—</p> <p>(i) where the hose is connected directly to the external fire hydrant; and</p> <p>(ii) where the hose is connected to a fire brigade pumping appliance fed from the fire hydrant.</p> <p>(e) In a position not less than 10 m from the building it is protecting unless safeguarded by construction—</p> <p>(i) having a FRL of not less than 90/90/90;</p> <p>(ii) extending 2 m each side of the fire hydrant outlet; and</p> <p>(iii) extending not less than 3 m above the ground adjacent to the fire hydrant or the height of the building, whichever is the lesser.</p> <p>(f) In a position not less than 10 m from any high voltage main electrical distribution equipment such as transformers and distribution boards, and from liquefied petroleum gas and other combustible storage.</p> <p>(g) In a position so that the fire hydrant is not obstructed or obscured by obstacles, stored goods, vehicles, vegetation etc.</p> <p>(h) In a position so that the fire hydrant is protected from possible mechanical damage by vehicles.</p>		
6.4 PUMPROOM			
6.4.1 General			
Pumprooms containing fixed on-site pump sets and associated equipment shall be weatherproof and be—			
(a) secure to prevent the entry of unauthorized persons;			
(b) adequately ventilated for the aspiration and cooling of pump drivers;			
(c) heated, where necessary, to prevent freezing and facilitate the cold start of compression ignition drivers;			
(d) identified by appropriate signs and other visual and audible aids, so that the room and its entrance can be readily located by the attending fire brigade; and			
(e) constructed with a minimum 2.1 m high internal clearance with adequate space for pump maintenance and replacement.			
6.4.2 Internal pumprooms			
Pumprooms located within a building shall have—			
(a) a door opening to a road or open space, or a door opening to fire-isolated passage or stair which leads to a road or open space; and			
(b) Except where the building is sprinklered in accordance with AS 2118.1, enclosing walls with an FRL not less than that prescribed by the BCA for a firewall for the particular building classification served by the fire hydrant system.			
6.4.3 External Pumprooms			
Pumprooms and enclosures, located external to and within 6 m of any building they are protecting, shall have enclosing walls with an FRL not less than that prescribed by the BCA for a firewall for the particular building classification served by the fire hydrant system.			
Hardstand shall be provided within 20 m of the access door to the pumproom.			

Part E1 – Fire Fighting Equipment			
Clause	Description	Status	Comments
			<p>(g) Hose coverage from external hydrant (see Clause 3.2.2.1)</p> <p>NOTE: Due to difficulties associated with fighting building fires, internal fire hydrants are required in fire-isolated stairs for levels more than one floor below ground and one or more levels above ground.</p>
E1.4	Hose Reels	Noted	<p>Fire hose reels coverage is required within the car park portions of the building if a hydrant is located within the building.</p> <p>Where fire hose reels are located within the building, they are to be within 4m of an exit, additional hose reels may be provided for coverage purposes however are to be located in a path of travel to an exit.</p> <p>Fire hose reels are to be installed accordance with AS2441.</p>

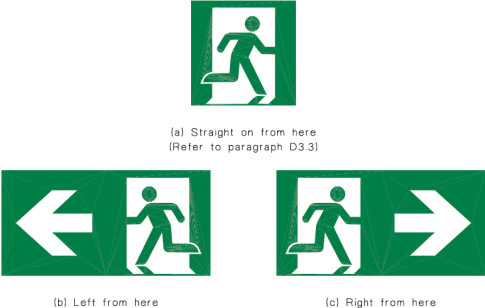
Part E1 – Fire Fighting Equipment			
Clause	Description	Status	Comments
AS 2444—2001	 <p>DIMENSIONS IN MILLIMETRES</p> <p>FIGURE 3.2 MOUNTING HEIGHTS FOR PORTABLE FIRE EXTINGUISHERS AND LOCATION SIGNS</p>	10	<p>Signs are to be installed clearly over or directly adjacent to Portable fire extinguishers.</p> <ul style="list-style-type: none"> – Each extinguisher shall be located in a conspicuous and readily accessible position. Extinguishers shall not be located in positions where access could present a hazard to the potential user. Where practicable, extinguishers shall be located along normal paths of travel and near exits. (Max 15m from each other etc) – Extinguishers Signs must be shown and shall be mounted not less than 2.0 m above floor level, or at a height that makes them most apparent to a person of average height and visual acuity approaching the extinguisher location. <p>In addition to the location sign referred to in Clause 3.3 of AS2444, the cabinet or enclosure shall be marked with the words 'FIRE EXTINGUISHER' in letters at least 32 mm high in a colour contrasting with the background unless the door has not less than 50% of its surface area fabricated from transparent material that permits visual identification of the cabinet's contents. Signs are to be installed clearly over or directly adjacent to Portable fire extinguishers.</p> <ul style="list-style-type: none"> – Each extinguisher shall be located in a conspicuous and readily accessible position. Extinguishers shall not be located in positions where access could present a hazard to the potential user. Where practicable, extinguishers shall be located along normal paths of travel and near exits. (Max 15m from each other etc) – Extinguishers Signs must be shown and shall be mounted not less than 2.0 m above floor level, or at a height that makes them most apparent to a person of average height and visual acuity approaching the extinguisher location.
E1.7	-	-	No Provisions
E1.8	Fire control centres	N / A	
E1.9	Fire precautions during construction	CRA	During construction, not less than one fire extinguisher to suit Class A, B and C fires is required for each storey, and is required to be located adjacent to each exit.
E1.10	Provisions for special hazards	N / A	

General Fire Service Signage	
FIRE HOSE REEL	FIRE HYDRANT PUMP – DO NOT SWITCH OFF SPRINKLER BOOSTER CONNECTION FIRE CONTROL ROOM
FIRE HYDRANT BOOSTER	
FIRE EXTINGUISHER	
SPRINKLER STOP VALVE INSIDE	
FIRE PANEL	

Part E2 – Smoke Hazard Management			
Clause	Description	Status	Comments
E2.1	Application of Part	Noted	Part is not applicable to <ul style="list-style-type: none"> • Open deck car parks • Open spectator stands
E2.2	General requirements	CRA	<p>The building must be provided with an automatic smoke detection and alarm system, and smoke detectors complying with Specification E2.2a and a Building Occupant Warning System (BOWS).</p> <p>Each Class 2 SOU is to incorporate an AS3786 smoke alarm system which is connected to the consumer mains source and interconnected throughout the SOU.</p> <p>The common areas of the building are to incorporate a smoke detection and alarm system installed in accordance with AS1670.1-2018 and activate a Building Occupant Warning System (BOWS) being sound pressure <i>within</i> each SOU door is to achieve no less than 85 dB(A).</p> <p>Details and a design certificate will be required by a qualified electrical engineer prior to the issue of a Construction Certificate.</p>

Part E2 – Smoke Hazard Management			
Clause	Description	Status	Comments
	 <p>(a) Spacing for open areas</p>  <p>(b) Spacing for corridors</p> <p>NOTE: Smoke detector spacing in corridors is the same as for general areas.</p>		 <p><u>I.e.: Heat Detectors – AS1670.1</u></p> <p><u>I.e.: Smoke Detectors – AS1670.1</u></p> <p><u>I.e.: Smoke Detectors – AS1668.1 (M/V Shutdown etc.)</u></p>
	 <p>OPEN PLAN</p> <ul style="list-style-type: none"> 2 - Fire-isolated exit detector 2 - Return/spill air duct entry detectors (see Note) 5 - Occupied space detectors: 15 - 20.4 m grid  <p>FIT OUT</p> <ul style="list-style-type: none"> 2 - Stair exit detectors (1 relocated) 2 - Return/spill air duct entry detectors (see Note) 6 - Occupied space detectors: (one additional/others relocated) <p>▣ Migratory path around floor-ceiling height partitions</p> <p>NOTE: Where return/relief air path is via the ceiling void, the return/relief air duct entry smoke detectors should be within the ceiling void.</p>		 <p>Stair</p> <p>Service core or room</p> <p>3.0 m max.</p> <p>Smoke source potential</p> <p>Normal return air</p> <p>Typical occupied space</p> <p>Spill air/smoke relief/economy air or similar shaft (often used for normal airconditioning economy cycle mode)</p>
E2.3	Provisions for special hazards	N / A	

Part E3 – Lift Installations			
Clause	Description	Status	Comments
E3.1	-	-	No provisions.
E3.2	Stretcher facility in lifts	N / A	As the effective height of this building appears to be less than 12 metres, a stretcher lift is not required.
E3.3	Warning against use of lifts in fire	CRA	<p>A warning sign is to be displayed where it can be readily seen near every call button of the passenger lift. The warning sign is to comply with the details and dimensions set out in Figure E3.3 of the BCA.</p> <div style="text-align: center; border: 1px solid black; padding: 10px; width: fit-content; margin: 0 auto;"> <p>DO NOT USE LIFT IF THERE IS A FIRE</p> </div>
E3.4	Emergency lifts	N / A	
E3.5	Landings	CRA	<p>Access and egress to and from the lift well landings is to comply with the Deemed-to-Satisfy provisions of Section D of the BCA.</p> <p>Ensure all lift landings achieve an unobstructed width of 1540mm x 2070mm as required by AS 1428.1-2009.</p> <p><u>Refer to Clause D3.3 of this report for further detail.</u></p> <p>Design verification is to be provided prior to the issue of the Construction Certificate.</p>
E3.6	Facilities for people with disabilities	N / A	An assessment of the Deemed-to-Satisfy provisions of the BCA relating to access for people with disabilities (Clause D3.1-D3.12, E3.6, F2.2 & F2.4) is outside the scope of this report.
E3.7	Fire Services Control	N / A	Passenger lift cars are to be provided with fire service controls in accordance with AS1735.2.
E3.8	Aged care buildings	N / A	
E3.9	Fire service recall control switch	N / A	
E3.10	Lift car fire service drive control switch	N / A	

Part E4 – Emergency Lighting, Exit Signs and Warning Systems			
Clause	Description	Status	Comments
E4.1	-	-	No provisions
E4.2	Emergency lighting requirements	CRA	Emergency lighting is to be provided throughout the building in accordance with Clause E4.2 of the BCA. Drawings a design certificate will be required by a suitably qualified electrical engineer prior to the issue of a Construction Certificate.
E4.3	Measurement of distance	Noted	
E4.4	Design and operation of emergency lighting	CRA	Emergency lighting shall be provided throughout the building in accordance with the requirements of Clause E4.4 of the BCA and AS 2293.1. Details and a design certificate will be required by a suitably qualified electrical engineer prior to the issue of a Construction Certificate.
E4.5	Exit signs	CRA	Exit signs are to be provided in accordance with Clause E4.5 of the BCA.
 <p>(a) Straight on from here (Refer to paragraph D3.3)</p> <p>(b) Left from here</p> <p>(c) Right from here</p>			<p>Exit signs must be clearly visible to person approaching the exit and must be installed on, above or adjacent to;</p> <ol style="list-style-type: none"> 1. A door providing direct egress from a storey to a stairway, passageway or ramp serving as a required exit. 2. A door from an enclosed stairway, passageway or ramp at every level of discharge to a road or open space. 3. A door serving as or forming part of a required exit in a storey required to be provided with emergency lighting. <p>A test switch is to be installed for each storey.</p> <p>Where and if requirements are altered under this proposal, details and a design certificate will be required by a suitably qualified electrical engineer prior to the issue of a Construction Certificate.</p>
E4.6	Direction signs	CRA	Where an exit is not readily apparent then exit signs with directional arrows must be installed in appropriate positions in corridors, hallways, lobbies and the like indicating the direction to a required exit in accordance with Clause E4.6 of the BCA. Where and if requirements are altered under this proposal, details and a design certificate will be required by a suitably qualified electrical engineer prior to the issue of a Construction Certificate.
E4.7	Class 2, 3 and 4 buildings: Exemptions	Noted	




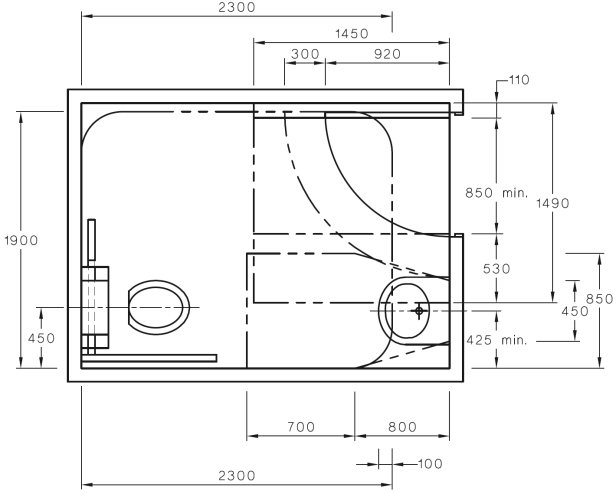
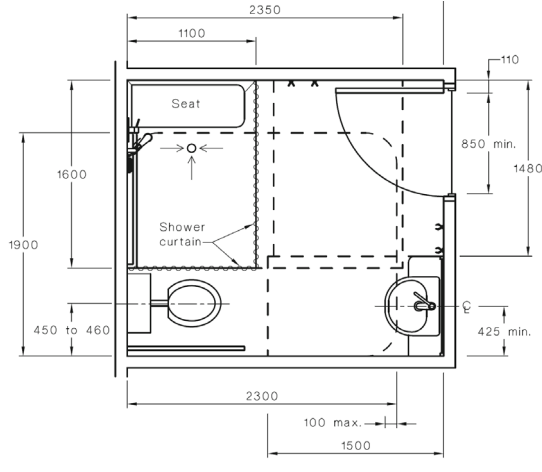
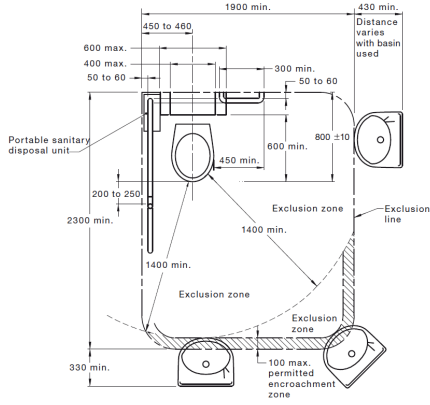
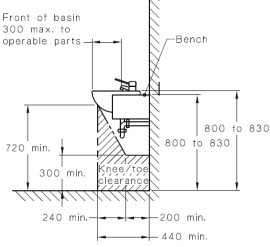
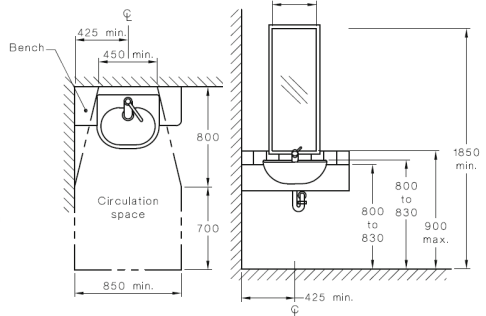
Part E4 – Emergency Lighting, Exit Signs and Warning Systems			
Clause	Description	Status	Comments
E4.8	Design and operation of exit signs	CRA	Exit signs are to operate in accordance with AS 2293.1 or for a photo luminescent exit sign, Specification E4.8 and be clearly visible at all times while the building is occupied. Where and if requirements are altered under this proposal, details and a design certificate will be required by a suitably qualified electrical engineer prior to the issue of a Construction Certificate.
E4.9	Emergency warning and intercom systems	N / A	

SECTION F – HEALTH AND AMENITY

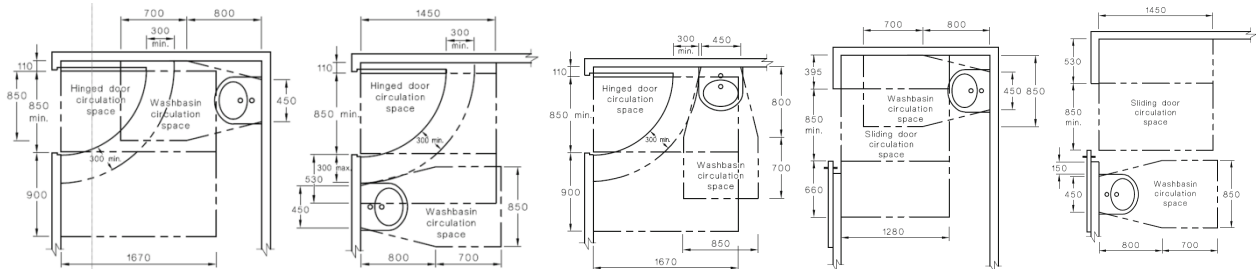
Part F1 – Damp and Weatherproofing			
Clause	Description	Status	Comments
F1.1	Stormwater drainage	CRA	Stormwater drainage design shall be in accordance with AS/NZS 3500.3. Details and a design certificate will be required by a suitably qualified hydraulic engineer prior to the issue of a Construction Certificate.
F1.2	-	-	No provisions
F1.3	-	-	No provisions
F1.4	External above ground membrane	CRA	Waterproofing membranes for external above ground use may comply with AS 4654 Part 1 and 2. Details and a design certificate to be provided prior to the issue of a Construction Certificate.
F1.5	Roof coverings	CRA	Roof coverings are to comply with the relevant Australian Standards as per Clause F1.5. Details and design certification to be provided prior to the issue of a Construction Certificate.
F1.6	Sarking	CRA	Sarking type materials used for weatherproofing of roofs and walls must comply with AS/NZS 4200 Parts 1 and 2. Details and design certification to be provided prior to the issue of a Construction Certificate.
F1.7	Waterproofing of wet areas	CRA	Shower enclosure surfaces, floor surfaces in bathrooms, shower rooms, slop hoppers, sink compartments, laundry and sanitary compartments are required to be or water resistant or waterproof in accordance with Table F1.7 and AS 3740-2010. Details and design certification to be provided prior to the issue of a Construction Certificate.
F1.8	-	-	No provisions
F1.9	Damp-proofing	N / A	
F1.10	Damp-proofing of floors on the ground	CRA	A vapour barrier in accordance with AS2870 is to be provided beneath the basement floor slab. Details and design certification to be provided prior to the issue of a Construction Certificate.
F1.11	Provisions of floor wastes	CRA	The floor of each bathroom / laundry is to be graded to permit drainage to a floor waste. The plans forming part of the Construction Certificate Application must detail compliance with the above.

Part F1 – Damp and Weatherproofing			
Clause	Description	Status	Comments
F1.12	Sub-floor ventilation	N / A	
F1.13	Glazed assemblies	CRA	Windows, sliding doors with a frame, adjustable louvres, shopfronts and window walls with one piece framing in an external wall must comply with AS 2047 requirements for resistance to water penetration. Details and design certification to be provided prior to the issue of a Construction Certificate.

Part F2 – Sanitary and Other Facilities			
Clause	Description	Status	Comments
F2.1	Facilities in residential buildings	CRA	Sanitary and other facilities for Class 2 and 3 buildings must be provided in accordance with Table F2.1. Note: Under Clause F2.1 of the BCA 2019, sanitary facilities are not required to be provided within the common areas of a Class 2 building. If for any reason sanitary facilities are provided within the common areas of the building, not less than one (1) unisex accessible sanitary compartment is to be provided to serve the common areas of the building as per Clause F2.4(a) and Table F2.4(a) of the BCA 2019. Laundry and Washtubs All Class 2 residential SOU's are to be provided with laundry and washtub facilities as required by this Clause. Details and design certification to be provided prior to the issue of a Construction Certificate.
F2.2	Calculation of number of occupants and fixtures	Noted	Floor area of each room is to be provided for the purpose of calculating occupant numbers within the building. Note: a unisex facility comprises one closet pan, one washbasin and means for the disposal of sanitary towels Details and design certification to be provided prior to the issue of a Construction Certificate.
F2.3	Facilities in Class 3 to 9 buildings	N / A	
F2.4	Facilities for people with disabilities	CRA	An assessment of the Deemed-to-Satisfy provisions of the BCA relating to access for people with disabilities (Clause D3.1-D3.12, E3.6, F2.2 & F2.4) is outside the scope of this report. A detailed assessment of access provisions by a suitably qualified Access Consultant is recommended.

Part F2 – Sanitary and Other Facilities			
Clause	Description	Status	Comments
			<p>Where existing accessible toilets are provided, the use of existing AS1428.1:2001 compliant toilet facility is deemed as acceptable only if the toilet actually complies with AS1428.1:2001.</p> <p>Full compliance with AS1428.1:2009 is to be indicated on the Construction Certificate plans or via Design Certificate.</p> <p>Occupants are to be provided with two (2) different types of accessible toilets;</p> <p>1: An accessible <i>toilet</i> compartment (Wheelchairs) i.e.:</p> <ul style="list-style-type: none"> - Ground floor <i>RH Transfer</i> - First Floor <i>LH Transfer</i> etc. <p>2: an ambulant <i>cubicle</i> being a minimum normal toilet cubicle size for easier use (Persons with mobility difficulties) in each and every toilet bank.</p>
			
			

Part F2 – Sanitary and Other Facilities

Clause	Description	Status	Comments
			

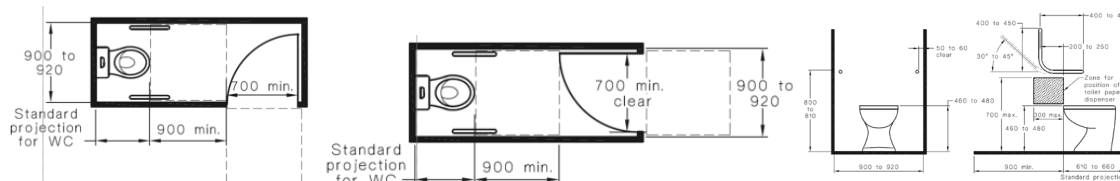
Details for an Accessible Toilet: (Checklist)

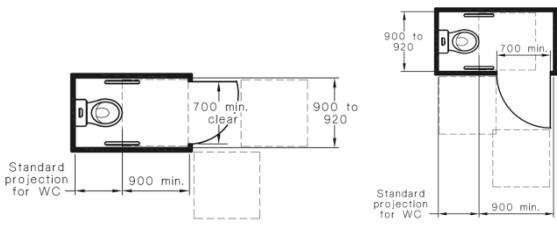


- The toilet is to be signed according to AS1428.1, with Left or Right hand transfer.
- Door clearances shall be in accordance with the relevant doors size and approach from both sides.
- Doors are to have a staged closer, if it opens outwards, must also incorporate a closer which hold the door closed without pulling the door closed via a handle.
- Doors shall be provided with an in-use indicator and a bolt or catch. Where a snib catch is used, the snib handle shall have a minimum length of 45 mm from the centre of the spindle. In an emergency, the latch mechanism shall be openable from the outside.
- Toilet pan and wash basin are located in accordance with the diagrams with the required clearances,
- All handrails are installed and are structural (110N),
- Flushing control are automatic or push action in the required zone,
- An emergency light is also to be installed within the toilet.
- A mirror is to be installed not less than 350mm wide by 900mm tall.
 - o Located above the sink,
 - o Flat against the wall.
- A shelf is to be installed next to the basin @ 900-1000mm from the floor with a minimum width of 120-150mm by 300-400mm.
- Where provided, soap dispensers, towel dispensers, hand dryers and similar fittings shall be operable by one hand, and shall be installed with the height of their operative component or outlet not less than 900 mm and not more than 1100 mm above the plane of the finished floor, and no closer than 500 mm from an internal corner.
- A clothes-hanging device shall be installed 1200 mm to 1350 mm above the plane of the finished floor and not less than 500 mm out from any internal corner.

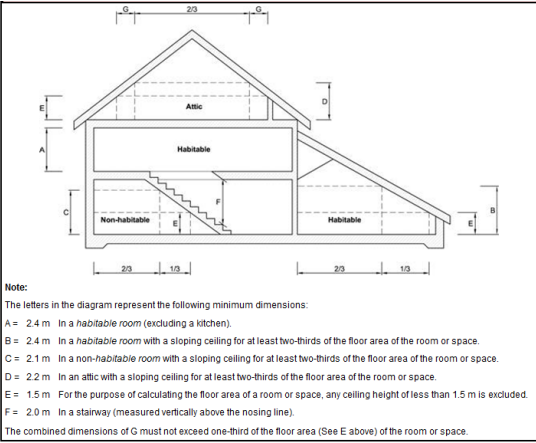
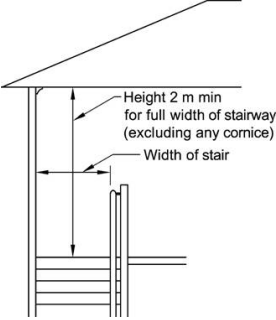
Ambulant Cubicle

Any toilet block is also to accommodate at least one ambulant cubicle in **both** the *Male* and *Female* banks.

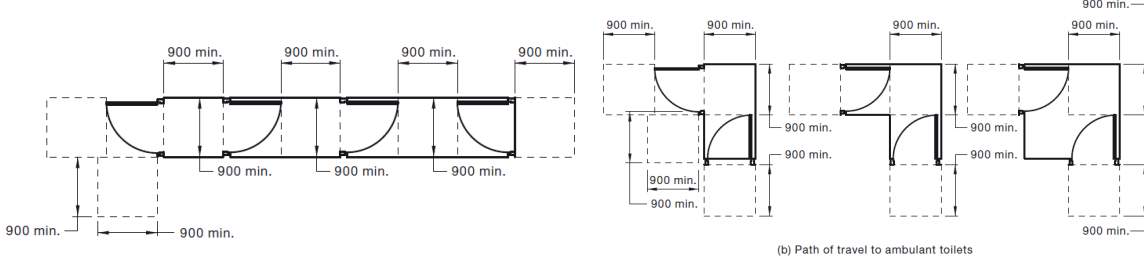
Final details to accompany the Construction Certificate Plans.



Part F2 – Sanitary and Other Facilities			
Clause	Description	Status	Comments
			 
	<p>Details for an Ambulant Cubicle: (Checklist)</p> <ul style="list-style-type: none"> – The toilet is to be signed according to AS1428.1, on the cubicle door, – Door clearances shall be in accordance with the relevant doors size and approach form both sides. (900*900 pads) – Cubicle is 900mm wide, Doors are 700mm and must also incorporate a closer or handle. – Doors shall be provided with an in-use indicator and a bolt or catch. Where a snib catch is used, the snib handle shall have a minimum length of 45 mm from the centre of the spindle. In an emergency, the latch mechanism shall be openable from the outside. – Toilet pan and wash basin are located in accordance with the diagrams with the required clearances, – All handrails are installed and are structural (110N), – A clothes-hanging device shall be installed 1350 mm to 1500mm above the plane of the finished floor and not less than 500 mm out from any internal corner. 		
F2.5	Construction of sanitary compartments	CRA	Doors to the fully enclosed toilets are to open outwards, slide or be readily removable from the outside of the sanitary compartment unless there is a clear space of at least 1.2m between the closet pan within the sanitary compartment and the nearest part of the doorway. Plans submitted with the Construction Certificate Application must detail compliance with the above.
F2.6	Interpretation: Urinals and washbasins	Noted	
F2.7	Warm water installations	N / A	Not Applicable in NSW
F2.8	Waste	N / A	
F2.9	Accessible adult change facilities	N / A	

Part F3 – Room Sizes			
Clause	Description	Status	Comments
F3.1	Height of rooms and other spaces	CRA	Ceiling heights must be not less than—
 <p>Note: The letters in the diagram represent the following minimum dimensions: A = 2.4 m In a habitable room (excluding a kitchen). B = 2.4 m In a habitable room with a sloping ceiling for at least two-thirds of the floor area of the room or space. C = 2.1 m In a non-habitable room with a sloping ceiling for at least two-thirds of the floor area of the room or space. D = 2.2 m In an attic with a sloping ceiling for at least two-thirds of the floor area of the room or space. E = 1.5 m For the purpose of calculating the floor area of a room or space, any ceiling height of less than 1.5 m is excluded. F = 2.0 m In a stairway (measured vertically above the nosing line). The combined dimensions of G must not exceed one-third of the floor area (See E above) of the room or space.</p> 		<p>(a) in a habitable room excluding a kitchen — 2.4 m; and</p> <p>(b) in a kitchen — 2.1 m; and</p> <p>(c) in a corridor, passageway or the like — 2.1 m; and</p> <p>(d) in a bathroom, shower room, laundry, sanitary compartment, airlock, pantry, storeroom, garage, car parking area or the like — 2.1 m; and</p> <p>(e) in a room or space with a sloping ceiling or projections below the ceiling line within—</p> <p>(i) a habitable room—</p> <p>(A) in an attic — a height of not less than 2.2 m for at least two-thirds of the floor area of the room or space; and</p> <p>(B) in other rooms — a height of not less than 2.4 m over two-thirds of the floor area of the room or space; and</p> <p>(ii) a non-habitable room — a height of not less than 2.1 m for at least two-thirds of the floor area of the room or space, and when calculating the floor area of a room or space, any part that has a ceiling height of less than 1.5 m is not included; and</p> <p>(f) in a stairway — 2.0 m measured vertically above the nosing line.</p> <p>Designer to verify compliance prior to the issue of the Construction Certificate.</p>	

Part F4 – Light and Ventilation			
Clause	Description	Status	Comments
F4.1	Provisions of natural light	Noted	Natural light must be provided to all habitable rooms located within the Class 2 portion of the development.
F4.2	Methods and extent of natural light	Complies	
F4.3	Natural light borrowed from adjoining room	CRA	<p>Natural lighting to a room in a Class 2 building or Class 4 part of a building or in a sole-occupancy unit of a Class 3 building, may come through a glazed panel or opening from an adjoining room (including an enclosed verandah).</p> <p>Designer to assess the design of light to the subject bedrooms prior to the issue of the Construction Certificate.</p> <p>Details and design certification for natural light borrowed are to be provided by the architect prior to the issue of a Construction Certificate.</p>
F4.4	Artificial lighting	CRA	<p>Artificial lighting must be provided in required stairways, passageways, ramps, sanitary compartments, bathrooms, laundries and other spaces used in common by occupants of the building complying with AS1680.0 in accordance with the requirements of Clause F4.4 of the BCA.</p> <p>Details and design certification to be provided by electrical engineer prior to the issue of a Construction Certificate.</p>
F4.5	Ventilation of rooms	CRA	<p>Ventilation shall be provided throughout the building by means of natural ventilation complying with Clause F4.6 or mechanical ventilation complying with the requirements of AS1668.2 and AS3666.1 as required by Clause F4.5 of the BCA.</p> <p>Details and design certification to be provided by mechanical engineer prior to the issue of a Construction Certificate.</p> <p><i>Note: Any air handling system which recycles air from one fire compartment to another or operates in a manner that may unduly contribute to the spread of smoke from one compartment to another must be designed to operate a smoke control system in accordance with AS1668.1 or incorporate smoke dampers where the air-handling ducts pass any separating element to another fire compartment and shutdown and the smoke dampeners are activated to close automatically via smoke detectors complying with clause 4.10 of AS1668.1</i></p>
F4.6	Natural ventilation	CRA	See Clause F4.5
F4.7	Ventilation borrowed from adjoining room	CRA	See Clause F4.5
F4.8	Restriction on position of water closets and urinals	Complies	

Part F4 – Light and Ventilation			
Clause	Description	Status	Comments
F4.9	Airlocks	Noted	Note: Airlocks must comply with the set distances under AS1428.1 :2009
 <p>(b) Path of travel to ambulant toilets</p>			
F4.10	-	-	No provisions
F4.11	Carparks	N / A	The carpark is located externally to the building.
F4.12	Kitchen local exhaust	N / A	

Part F5 – Sound Transmission and Insulation			
Clause	Description	Status	Comments
F5.1	Application of part	Applies	Applicable to Class 2 buildings
F5.2	Determination of airborne sound insulation ratings	Noted	Construction required to have an airborne sound insulation rating must have the value for weighted sound reduction index (R_w) or weighted sound reduction index with spectrum adaptation term ($R_w + C_{tr}$) determined in accordance with AS/NZS1276.1, or ISO717.1 using result from laboratory measurements, or comply with Specification F5.2 of the BCA.
F5.3	Determination of impact sound installation ratings	Noted	A floor required to have an impact sound insulation rating must have the required value for weighted normalised impact sound pressure level with spectrum adaptation term ($L_{n,w} + C_I$) determined in accordance with AS/ISO 717.2 using results from laboratory measurements or comply with Specification F5.2 of the BCA. A wall that is required to have an impact sound insulation rating must be of discontinuous construction.
F5.4	Sound insulation rating for floors	CRA	Floors separating sole occupancy units or separating sole occupancy units from a plant room, lift shaft, public lobby or the like or parts of different classifications must have an $R_w + C_{tr}$ of not less than 50 and an $L_{n,w} + C_I$ of not more than 62. A design certificate and details of form of construction required to achieve such will be required from a qualified acoustic engineer prior to the issue of a Construction Certificate.



Part F5 – Sound Transmission and Insulation			
Clause	Description	Status	Comments
F5.5	Sound insulation rating of walls	CRA	<p>A wall separating sole occupancy units must have an $R_w + C_{tr}$ not less than 50. A wall separating a sole occupancy from a lift shaft, public lobby or the like, or parts of different classifications must have an $R_w + C_{tr}$ not less than 50.</p> <p>Compliance with F5.3(b) is required if the wall separates a bathroom, sanitary compartment, laundry or kitchen in one sole occupancy unit from a habitable room (excluding a kitchen) in another adjoining unit or a sole occupancy unit from a plant room or lift shaft.</p> <p>A door may be incorporated in a wall that separates a sole occupancy unit from a stairway, public corridor, public lobby or the like, provided the door assembly has an R_w not less than 30.</p> <p>Where a wall required to have sound insulation has a floor above, the wall must continue to the underside of the floor above or a ceiling that provides the sound insulation required for the wall.</p> <p>Where a wall required to have sound insulation has a roof above, the wall must continue to the underside of the roof above or a ceiling that provides the sound insulation required for the wall.</p> <p>A design certificate and details of form of construction required to achieve such will be required from a qualified acoustic engineer prior to the issue of a Construction Certificate.</p>
F5.6	Sound insulation rating of services	CRA	<p>If a duct, soil, waste or water supply pipe, including a duct or pipe that is located in a wall or floor cavity, serves or passes through more than one sole-occupancy unit, the duct or pipe must be separated from the rooms of any sole-occupancy unit by construction with an $R_w + C_{tr}$ (airborne) not less than—</p> <ul style="list-style-type: none"> (i) 40 if the adjacent room is a habitable room (other than a kitchen); or (ii) 25 if the adjacent room is a kitchen or non-habitable room. <p>If a storm water pipe passes through a sole-occupancy unit it must be separated in accordance with (i) and (ii) above.</p> <p>A design certificate and details will be required by a qualified acoustic engineer prior to the issue of a Construction Certificate.</p>
F5.7	Isolation of pumps	CRA	<p>A flexible coupling must be used at the point of connection between the service pipes in a building and any circulating or other pump.</p>



Part F6 – Condensation management			
Clause	Description	Status	Comments
F6.1	Application of Part	Applies	Applicable to a sole-occupancy unit of a Class 2 building or a Class 4 part of a building.
F6.2	Pliable building membrane	CRA	<p>(a) Where a pliable building membrane is installed in an external wall, it must—</p> <ul style="list-style-type: none"> (i) comply with AS/NZS 4200.1; and (ii) be installed in accordance with AS 4200.2; and (iii) be a vapour permeable membrane for climate zones 6, 7 and 8; and (iv) be located on the exterior side of the primary insulation layer of wall assemblies that form the external envelope of a building. <p>(b) Except for single skin masonry and single skin concrete, where a pliable building membrane is not installed in an external wall, the primary water control layer must be separated from water sensitive materials by a drained cavity.</p> <p>Details and a design certificate to be provided prior to the issue of a Construction Certificate.</p>
F6.3	Flow rate and discharge of exhaust systems	CRA	<p>(a) An exhaust system installed in a kitchen, bathroom, sanitary compartment or laundry must have a minimum flow rate of—</p> <ul style="list-style-type: none"> (i) 25 L/s for a bathroom or sanitary compartment; and (ii) 40 L/s for a kitchen or laundry. <p>(b) Exhaust from a kitchen must be discharged directly or via a shaft or duct to outdoor air.</p> <p>(c) Exhaust from a bathroom, sanitary compartment, or laundry must be discharged—</p> <ul style="list-style-type: none"> (i) directly or via a shaft or duct to outdoor air; or (ii) to a roof space that is ventilated in accordance with F6.4. <p>Details and design certification to be provided by mechanical engineer prior to the issue of a Construction Certificate.</p>
F6.4	Ventilation of roof spaces	CRA	<p>(a) Where an exhaust system covered by F6.3 discharges directly or via a shaft or duct into a roof space, the roof space must be ventilated to outdoor air through evenly distributed openings.</p> <p>(b) Openings required by (a) must have a total unobstructed area of 1/300 of the respective ceiling area if the roof pitch is greater than 22°, or 1/150 of the respective ceiling area if the roof pitch is less than or equal to 22°.</p> <p>(c) 30% of the total unobstructed area required by (b) must be located not more than 900 mm below the ridge or highest point of the roof space, measured vertically, with the remaining required area provided by eave vents.</p> <p>Details and design certification to be provided by mechanical engineer prior to the issue of a Construction Certificate.</p>

SECTION G – ANCILLARY PROVISIONS

Part G1 – Minor Structures and Components

Clause	Description	Status	Comments
N / A			

Part G2 – Heating appliances, fireplaces, chimneys and flues

N / A			
-------	--	--	--

Part G3 – Atrium construction

N / A			
-------	--	--	--

Part G4 – Minor Structures and Components

N / A			
-------	--	--	--

Part G5 – Construction in bushfire prone areas

N / A			
-------	--	--	--

SECTION H – SPECIAL USE BUILDINGS

N / A			
-------	--	--	--

SECTION I – MAINTENANCE

Note:

Essential Fire Safety Measures or other safety measures must be maintained and certified on a ongoing basis, in accordance with the provisions of the Environmental Planning and Assessment Regulation, 2000.

SECTION J – ENERGY EFFICIENCY

A detailed assessment of Section J of the BCA is beyond the scope of this report.
Below is a general overview of the Section's requirements.

Part J0 – Energy Efficiency			
Clause	Description	Status	Comments
NSW J(A)	Energy Efficiency – Class 2 Buildings and Class 4 Parts	Noted	Sub-section J(A) is applicable to the proposed development.
NSW J(B)	Energy Efficiency – Class 3 Buildings	N / A	Sub-section J(B) is not applicable to the proposed development.

Part J1 – Building Fabric			
Clause	Description	Status	Comments
J1.2	Thermal construction general	CRA	Details verifying compliance must be provided prior to the issue of a Construction Certificate
J1.3(d) and J1.5(c)	Thermal breaks	CRA	Details verifying compliance must be provided prior to the issue of a Construction Certificate
J1.3(c)	Compensating for a loss of ceiling insulation	CRA	Details verifying compliance must be provided prior to the issue of a Construction Certificate
J1.6	Floor edge insulation	CRA	Details verifying compliance must be provided prior to the issue of a Construction Certificate

Part J2 – Glazing

A Glazing Assessment is beyond the scope of this report

Part J3 – Building Sealing			
Clause	Description	Status	Comments
J3	Building Sealing	CRA	Details verifying compliance must be provided prior to the issue of a Construction Certificate



Part J3 – Building Sealing			
Clause	Description	Status	Comments
J3.2	Chimneys and flues	N / A	Not applicable
J3.3	Roof lights	CRA	<p>If proposed,</p> <p>(a) A roof light must be sealed, or capable of being sealed, in accordance with (b) to minimise air leakage when serving a conditioned space.</p> <p>(b) A roof light required by (a) to be sealed or capable of being sealed must be constructed with—</p> <p>(i) an imperforate ceiling diffuser or the like installed at the ceiling or internal lining level; or</p> <p>(ii) a weatherproof seal if it is a roof window; or</p> <p>(iii) a shutter system readily operated either manually, mechanically or electronically by the occupant.</p>
J3.4	External windows and doors	CRA	<p>(a) A seal to restrict air infiltration must be fitted to each edge of an external door, openable external window or the like when serving a conditioned space.</p> <p>(b) The requirements of (a) do not apply to—</p> <p>(i) a window complying with AS 2047; or</p> <p>(ii) an external louvre door, louvre window, or other such opening; or</p> <p>(iii) a fire door.</p> <p>(c) A seal required by (a) may be a foam or rubber compressible strip, fibrous seal or the like.</p> <p>(d) An external door at the main point of entry to the building, if leading to a conditioned space with a floor area of more than 50 m², must have a means of minimising the loss of conditioned air such as an airlock, self-closing door, revolving door or the like.</p> <p>Details verifying compliance must be provided prior to the issue of a Construction Certificate</p>
J3.5	Exhaust fans	CRA	<p>An exhaust fan must be fitted with a sealing device when serving an air-conditioned space, or a habitable room in climate zone 4, 6, 7 or 8.</p> <p>Details verifying compliance must be provided prior to the issue of a Construction Certificate</p>
J3.6	Construction of roofs, walls and floors	CRA	<p>(a) Roofs, external walls, external floors and any opening such as a window, door or the like must be constructed to minimise air leakage in accordance with (b) when forming part of the external fabric of a conditioned space</p> <p>(b) Construction required by (a) must be—</p> <p>(i) enclosed by internal lining systems that are close fitting at ceiling, wall and floor junctions; or</p> <p>(ii) sealed by caulking, skirting, architraves, cornices or the like.</p>

Part J3 – Building Sealing			
Clause	Description	Status	Comments
			Details verifying compliance must be provided prior to the issue of a Construction Certificate

Part J4 – ****			
No Part			

Part J5 – Air-Conditioning and Ventilation Systems			
Clause	Description	Status	Comments
J5.2	Air-conditioning and ventilating systems	CRA	Details to be provided with the Construction Certificate Application.
J5.3	Time switch	CRA	Power supply to: (a) an air-conditioning system of more than 10 kW _r ; or (b) a ventilation system with an air flow rate of more than 1000 L/s; or (c) heating systems of more than 10 kW _{heating} , must be controlled by a time switch in accordance with Specification J6. Details verifying compliance must be provided prior to the issue of a Construction Certificate
J5.4	Heating and cooling systems	CRA	Details to be provided with the Construction Certificate Application.
J5.5	Ancillary exhaust systems	CRA	Details to be provided with the Construction Certificate Application.

Part J6 – Artificial Lighting and Power			
A Lighting and Power Assessment is beyond the scope of this report			

Part J7 – Heated Water Supply and Swimming Pool and Spa Pool Plant			
Clause	Description	Status	Comments
J7.2	Hot water supply	CRA	Details to be provided with the Construction Certificate Application.

Part J8 – Facilities for Energy Monitoring			
Clause	Description	Status	Comments
J8.3	Facilities for energy monitoring	CRA	<p>(a) A building or sole-occupancy unit with a floor area of more than 500 m² must have the facility to record the consumption of gas and electricity.</p> <p>(b) A building with a floor area of more than 2,500 m² must have the facility to record individually the energy consumption of—</p> <ul style="list-style-type: none"> (i) air-conditioning plant including, where appropriate, heating plant, cooling plant and air handling fans; and (ii) artificial lighting; and (iii) appliance power; and (iv) central hot water supply; and (v) internal transport devices including lifts, escalators and travelators where there is more than one serving the building; and (vi) other ancillary plant. <p>(c) The provisions of (b) do not apply to a Class 2 building with a floor area of more than 2,500 m² where the total area of the common areas is less than 500 m².</p> <p>Details verifying compliance must be provided prior to the issue of a Construction Certificate</p>



4.0. CONCLUSION

Although demonstrating compliance with the BCA at DA assessment stage is not a prescribed head of consideration under Section 4.15 (formally Section 79C) of the Environmental Planning & Assessment Act 1979, Council has an obligation to consider whether the proposal, as lodged, is indicatively capable of complying with the BCA - without significant modification to those plans for which approval is sought.

In this instance we are confident that any modifications and advancement in level of details required to the proposal in order to satisfy the requirements of the BCA (in force at the time the Construction Certificate application is lodged) will **not** necessitate the need for any significant design changes that in turn would necessitate the submission of an application under Section 4.55 (formally Section 96) of the Environmental Planning and Assessment Act 1979.

In the same regard, we draw Council's attention to the requirements of clause 145 of the Environmental Planning & Assessment Regulation 2000, and suggest that detailed & specific BCA compliance matters shall be addressed to the satisfaction of the appointed Certifying Authority prior to the issue of the Construction Certificate.

Further, it is considered that this BCA review and the additional preparation of the required Construction Certificate documentation will be sufficient to ensure that the proposed design will achieve the necessary compliance with the BCA.

PREPARED BY:

Kallan Baker
Junior Consultant
Building Innovations Australia Pty Ltd
B.Eng. (Bachelor of Structural/Civil Engineering)

ASSESSED BY:

Joseph Bond
BCA Consultant
Building Innovations Australia Pty Ltd
M. Proj Mgmt (Master of Project Management)
Grad.Dip. Bld. Survey (Graduate Diploma of Building Surveying)
B. Bus Admin (Bachelor of Business Administration)
B. Info Tech (Bachelor of Information Technology)

REVIEWED BY:

Mardiros Tatian
Director
Building Innovations Australia Pty Ltd
A1 Accredited Certifier (BPB 2572)
M.Fire.Eng (Master of Fire Engineering)
Grad.Dip. Bld. Survey (Graduate Diploma of Building Surveying)
B. Med. Sci (Bachelor of Medical Science)
Building Professionals Board, NSW- A1 Accredited Certifier BPB 2572



APPENDIX A – FIRE RESISTANCE LEVELS

Table 4 TYPE B CONSTRUCTION: FRL OF BUILDING ELEMENTS

Building element	Class of building—FRL: (in minutes)			
	<i>Structural adequacy/Integrity/Insulation</i>			
	2, 3 or 4 part	5, 7a or 9	6	7b or 8
EXTERNAL WALL (including any column and other building element incorporated within it) or other external building element, where the distance from any <i>fire-source feature</i> to which it is exposed is—				
For <i>loadbearing</i> parts—				
less than 1.5 m	90/ 90/ 90	120/120/120	180/180/180	240/240/240
1.5 to less than 3 m	90/ 60/ 30	120/ 90/ 60	180/120/ 90	240/180/120
3 to less than 9 m	90/ 30/ 30	120/ 30/ 30	180/ 90/ 60	240/ 90/ 60
9 to less than 18 m	90/ 30/–	120/ 30/–	180/ 60/–	240/ 60/–
18 m or more	–/–/–	–/–/–	–/–/–	–/–/–
For non- <i>loadbearing</i> parts—				
less than 1.5 m	–/ 90/ 90	–/120/120	–/180/180	–/240/240
1.5 to less than 3 m	–/ 60/ 30	–/ 90/ 60	–/120/ 90	–/180/120
3 m or more	–/–/–	–/–/–	–/–/–	–/–/–
EXTERNAL COLUMN not incorporated in an <i>external wall</i> , where the distance from any <i>fire-source feature</i> to which it is exposed is—				
For <i>loadbearing</i> columns—				
less than 18 m	90/–/–	120/–/–	180/–/–	240/–/–
18 m or more	–/–/–	–/–/–	–/–/–	–/–/–
For non- <i>loadbearing</i> columns—				
For non- <i>loadbearing</i> columns—	–/–/–	–/–/–	–/–/–	–/–/–
COMMON WALLS and FIRE WALLS—	90/ 90 / 90	120/120/120	180/180/180	240/240/240
INTERNAL WALLS—				
<i>Fire-resisting</i> lift and stair <i>shafts</i> —				
<i>Loadbearing</i>	90/ 90/ 90	120/120/120	180/120/120	240/120/120
<i>Fire-resisting</i> stair <i>shafts</i> —				
Non- <i>loadbearing</i>	–/ 90/ 90	–/120/120	–/120/120	–/120/120
Bounding <i>public corridors</i> , public lobbies and the like—				
<i>Loadbearing</i>	60/ 60/ 60	120/–/–	180/–/–	240/–/–
Non- <i>loadbearing</i>	–/ 60/ 60	–/–/–	–/–/–	–/–/–
Between or bounding <i>sole-occupancy units</i> —				
<i>Loadbearing</i>	60/ 60/ 60	120/–/–	180/–/–	240/–/–
Non- <i>loadbearing</i>	–/ 60/ 60	–/–/–	–/–/–	–/–/–
OTHER LOADBEARING INTERNAL WALLS and COLUMNS—	60/–/–	120/–/–	180/–/–	240/–/–
ROOFS	–/–/–	–/–/–	–/–/–	–/–/–

APPENDIX B – REFERENCED DOCUMENTATION

The following documentation was used in the preparation of this report:

Drawing No.	Title	Rev.	Project No.	Date	Drawn By
101	LEVEL 1 FLOOR PLAN	L	991	25/09/2019	Environa Studio
102	LEVEL 2 FLOOR PLAN	L	991	25/09/2019	Environa Studio
110	ROOF LEVEL PLAN	L	991	25/09/2019	Environa Studio
120	SECTIONS AA + BB	L	991	25/09/2019	Environa Studio
130	ELEVATIONS NORTH + EAST	L	991	25/09/2019	Environa Studio
131	ELEVATIONS SOUTH + WEST	L	991	25/09/2019	Environa Studio
133	ELEVATIONS NORTH + SOUTH (INTERNAL)	L	991	25/09/2019	Environa Studio