

1 ELEVATION
Scale N.T.S

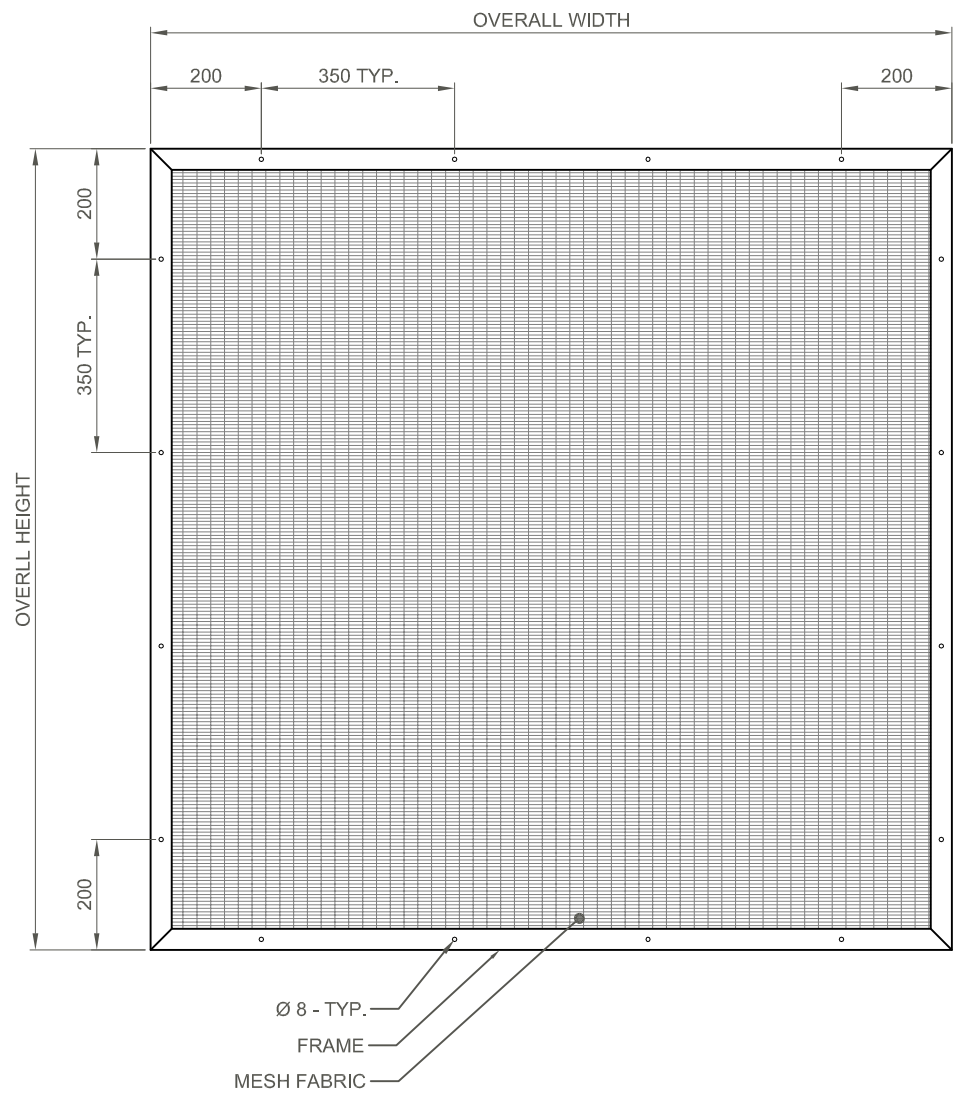


TABLE 1

SUBSTRATE	HOLE SIZE INTO SUBSTRATE	FIXING INTO SUBSTRATE	HOLE SIZE INTO FRAME
CONCRETE	Ø 6.0	PRODUCT CODE: 41045 WURTH FIXING M7.5 x 72	Ø 8
STEEL	N/A	PRODUCT CODE: A1063 SERIES 500 5.5mm / 12g - 24 x 65	Ø 8
TIMBER	N/A	PRODUCT CODE: 69010 COACH SCREW M6 x 75	Ø 8
BRICK	Ø 6.0	PRODUCT CODE: 41045 WURTH FIXING M7.5 x 72	Ø 8
ANGLE (40W x 40H x 1.6D)	ANGLE TO FRAME: N/A ANGLE TO SUBSTRATE: DEPENDENT ON SUBSTRATE	PRODUCT CODE: A1106 WAFER TEK SCREW 10-24 x 30 GR.410 S/S	Ø 8

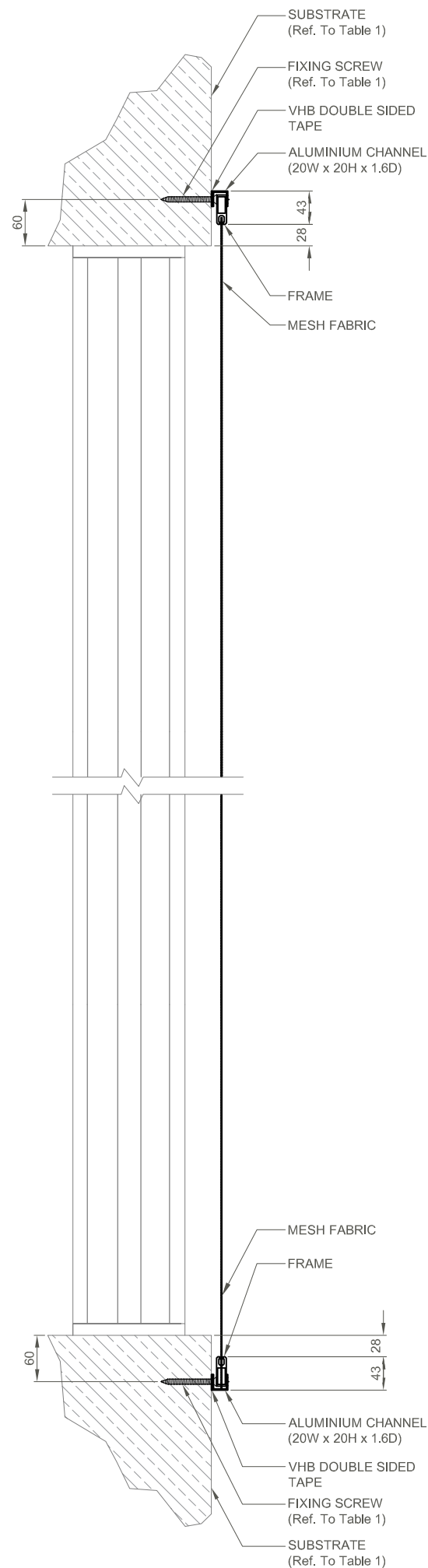
	MATERIAL	TYPE	PPC
FRAME	ALUMINIUM	FE38 / 51	ANODISED
SCREEN	BRONZE ALLOY	N / A	BLACK / WHITE

CLIENT APPROVAL

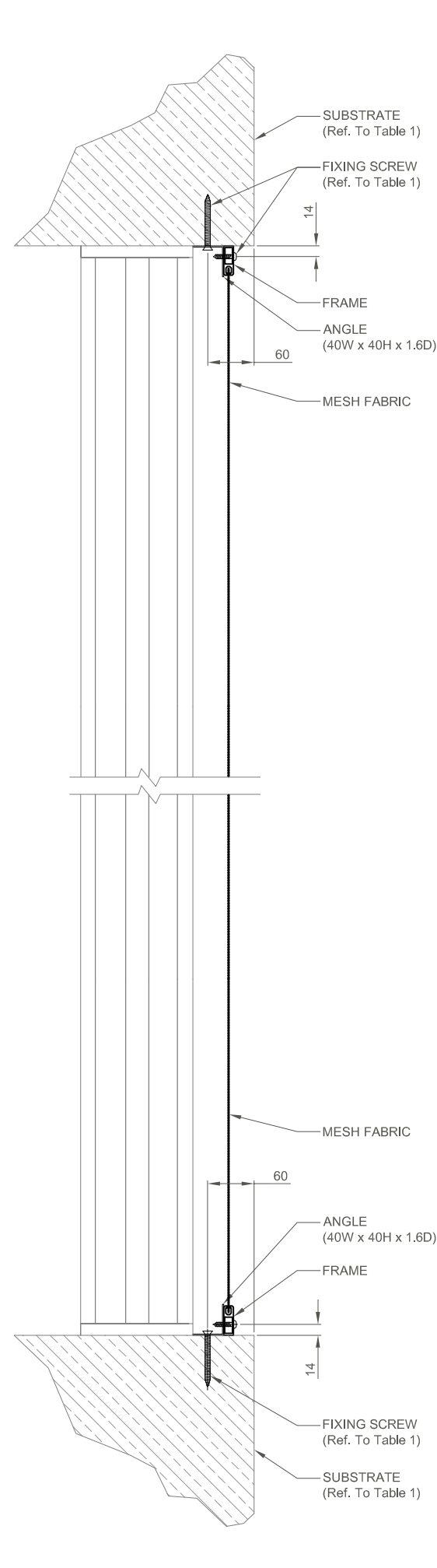
APPROVED BY: _____

DATE: _____

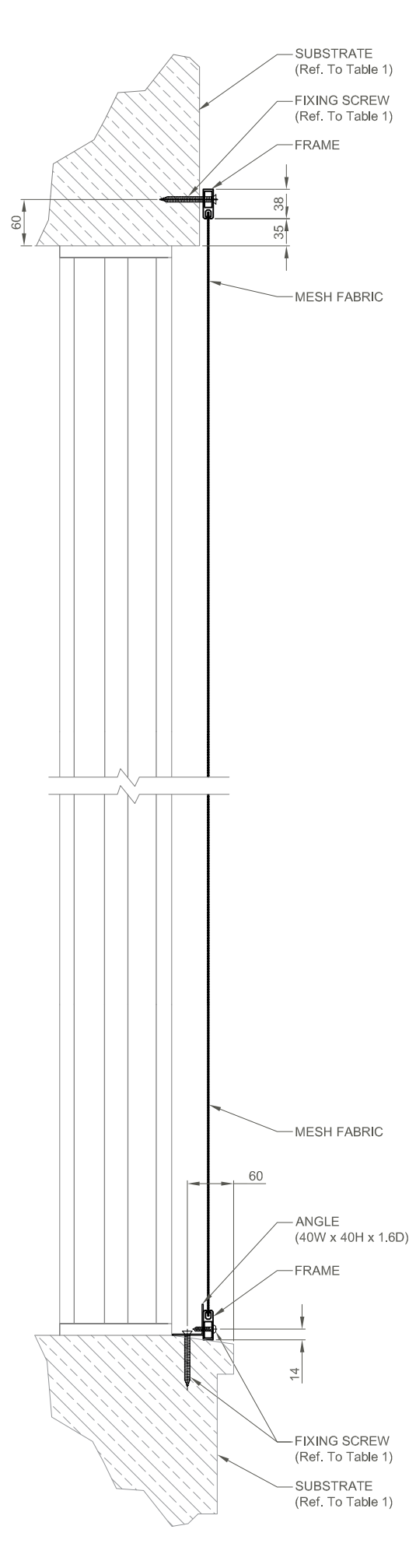
2 DETAIL - FACE FIX
Scale N.T.S



3 DETAIL - REVEAL FIX
Scale N.T.S



4 DETAIL - FACE / REVEAL FIX
Scale N.T.S



NOTES:

- DO NOT SCALE FROM THE DRAWING
- ALL DIMENSIONS ARE IN MILLIMETERS AND LEVELS ARE IN METERS UNLESS NOTED OTHERWISE
- ALL DIMENSIONS AND LEVELS TO BE VERIFIED AND CONFIRMED ON SITE PRIOR TO COMMENCEMENT OF WORK
- IT IS IMPERATIVE THAT THE FIRE/SMOKE CURTAINS ARE OPERATED FREE FROM OBSTRUCTION
- FREE OBSTRUCTION FULL CURTAIN LENGTH REMOVABLE CEILING ACCESS TO BE PROVIDED FOR FIRE/SMOKE CURTAIN COMMISSIONING AND FUTURE MAINTENANCE
- NO FIXING BY OTHERS TO EITHER HEADBOXING OR FIRE CURTAIN SIDE GUIDES
- ALL METALWORK SUPPLIED IN GALV. MS UNLESS NOTED OTHERWISE
- BOXING OVER 2.5 METRES TO HAVE A VISIBLE JOINT
- SMOKE SEAL IF REQUIRED ARE IN A LIGHT GREY COLOUR WHERE VISIBLE
- ALL SUB STRUCTURES TO BE SUITABLY FIRE RATED (BY OTHERS)
- ALL FLOORS/WALLS TO BE PLUMB & TRUE PRIOR TO CURTAIN INSTALLATION
- ALL DIMENSIONS ARE SUBJECT TO +/- 10MM TOLERANCE

LEGEND:

PRODUCT TYPE

SMART LOUVRE

DRAWING ISSUED FOR

- PROPOSAL
- COORDINATION
- APPROVAL
- AS FOR CONSTRUCTION
- AS BUILT

REV	DESCRIPTION	DRAWN	DATE

Unit 12, 7-11 Parraweena Road,
Taren Point NSW 2229
Tel: (02) 9526 3100
Fax: (02) 9526 3111
Email: info@greenefire.com.au
Web: www.greenefire.com.au

ALL RIGHTS RESERVED. THIS DESIGN MAY NOT BE REPRODUCED IN ANY MATERIAL FORM, INCLUDING ELECTRONICALLY WITHOUT THE WRITTEN PERMISSION OF THE COPYRIGHT NAMES

PROJECT:

PROJECT REF:

CUSTOMER:

DRAWING TITLE:
**SMART LOUVRE
INSTALLATION
GENERIC DRAWING**

DRAWN: JC	CHECKED: MH
DATE: 14.03.17	APPROVED:
SCALE: N.T.S	