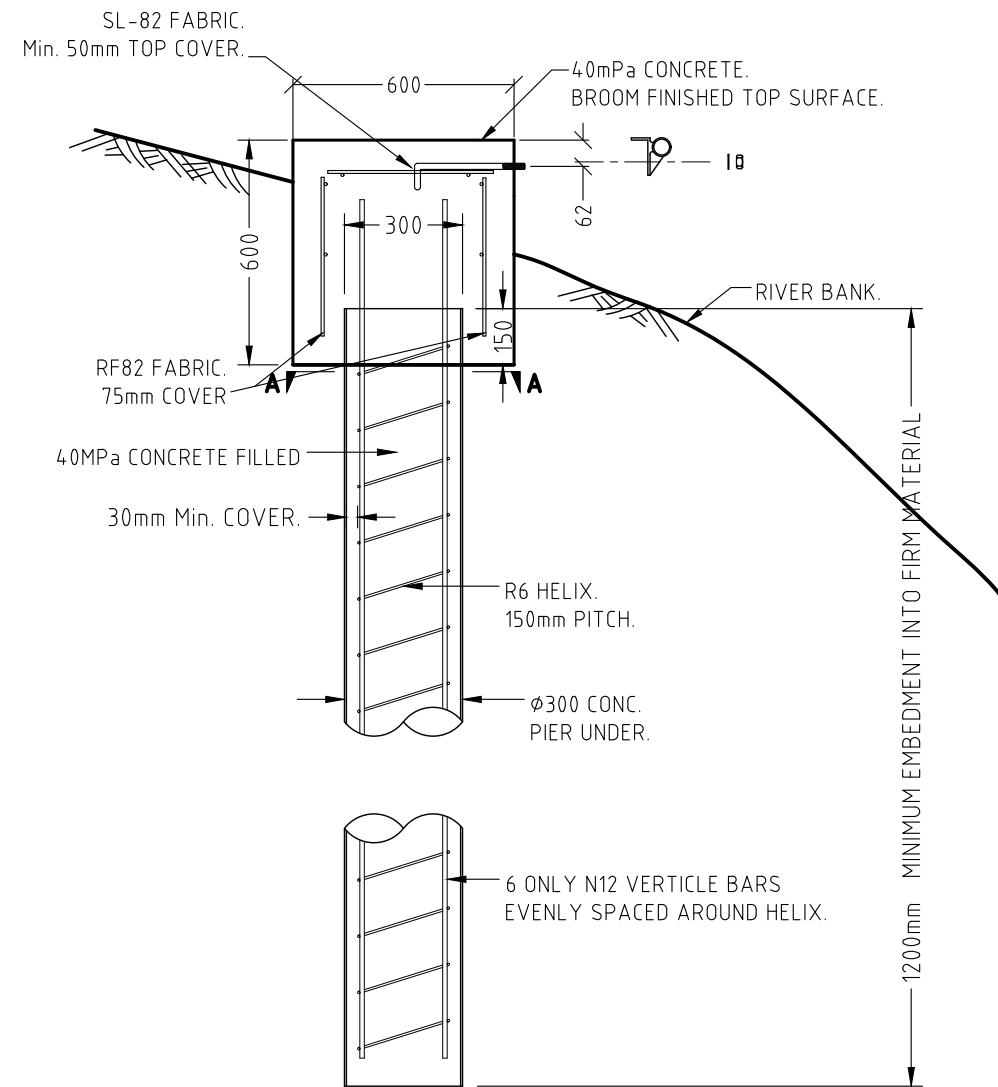


PLAN
SCALE 1:20



SCALE 1:20
ELEVATION

No:	DATE	REVISION	DRAWN BY

ATLAS MARINE INTERNATIONAL
TRADING AS
SUPERIOR JETTIES

COPYRIGHT © 2016
ATLAS MARINE INTERNATIONAL PTY, LTD.
NO PART OF THIS DOCUMENT MAY BE COPIED,
REPRODUCED, STORED IN A RETRIEVABLE SYSTEM
IN ANY FORM, OR TRANSMITTED BY ANY MEANS
WITHOUT PRIOR WRITTEN PERMISSION OF
ATLAS MARINE INTERNATIONAL PTY, LTD.

SUPERIOR®

Mail Address: P.O. Box 920 Nerang 4 211

Ph: (07) 5594 8200
Fax: (07) 5594 8222
Email: info@superiorjetties.com

DATE
27/06/16

DRAWING NO:
OPP-7835-CA-1

REVISION NO:

PROJECT PROPOSED MARINA				
DRG. TITLE TYPICAL CONCRETE ABUTMENT FOR EARTH BANK				
CLIENT MICHAEL JARVIN				
ADDRESS NEWPORT ARMS HOTEL PITTWATER				
DRAWN BY D.G.G.	DESIGNED M.W.	CHECKED BY	PAPER SIZE A3	SCALE AS NOTED

