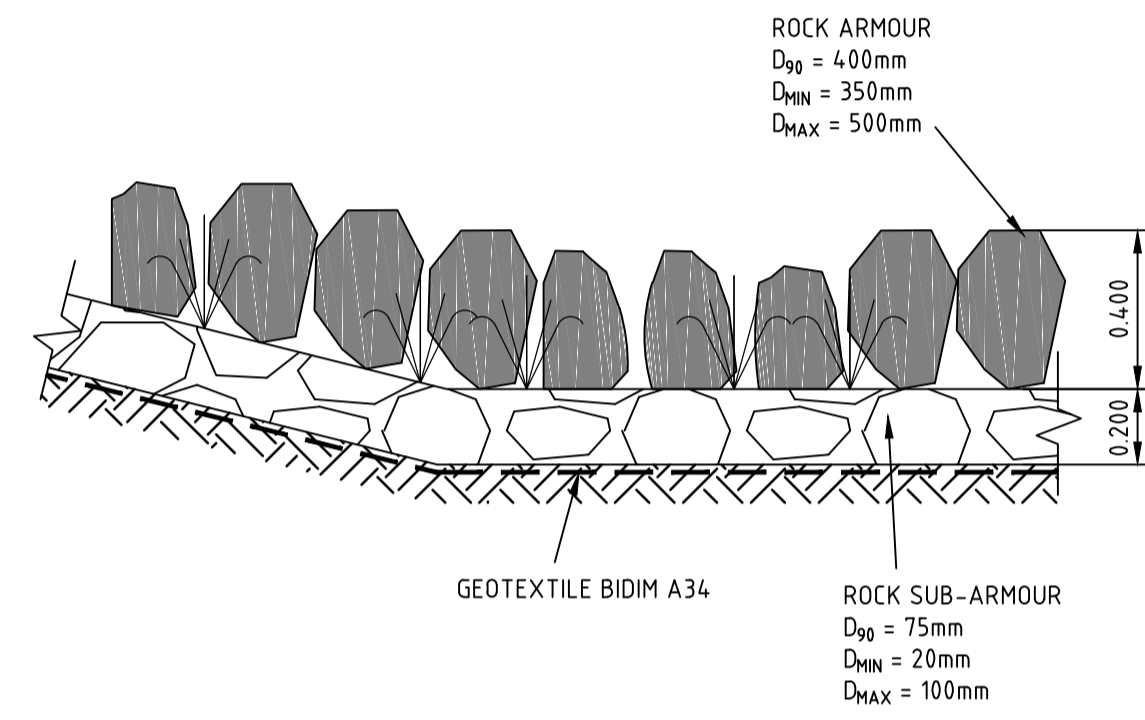
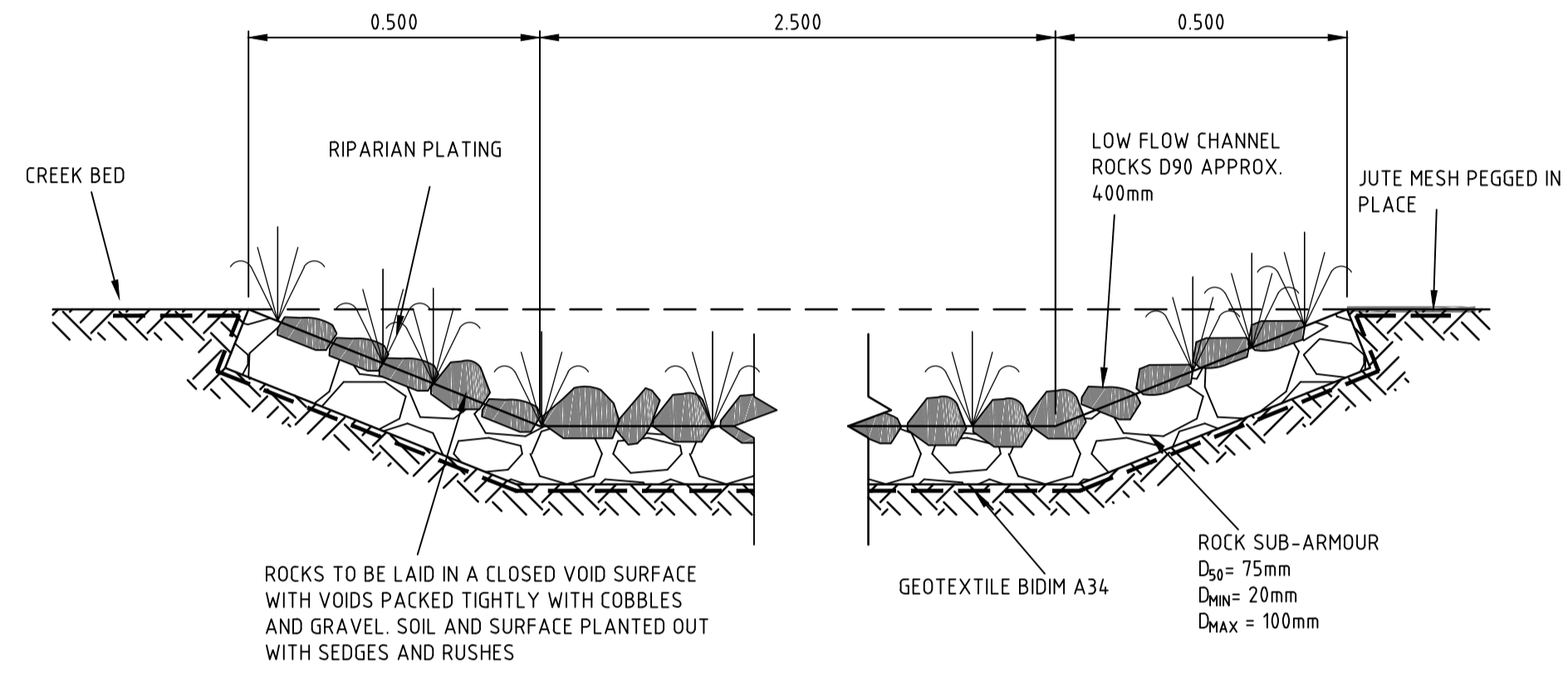


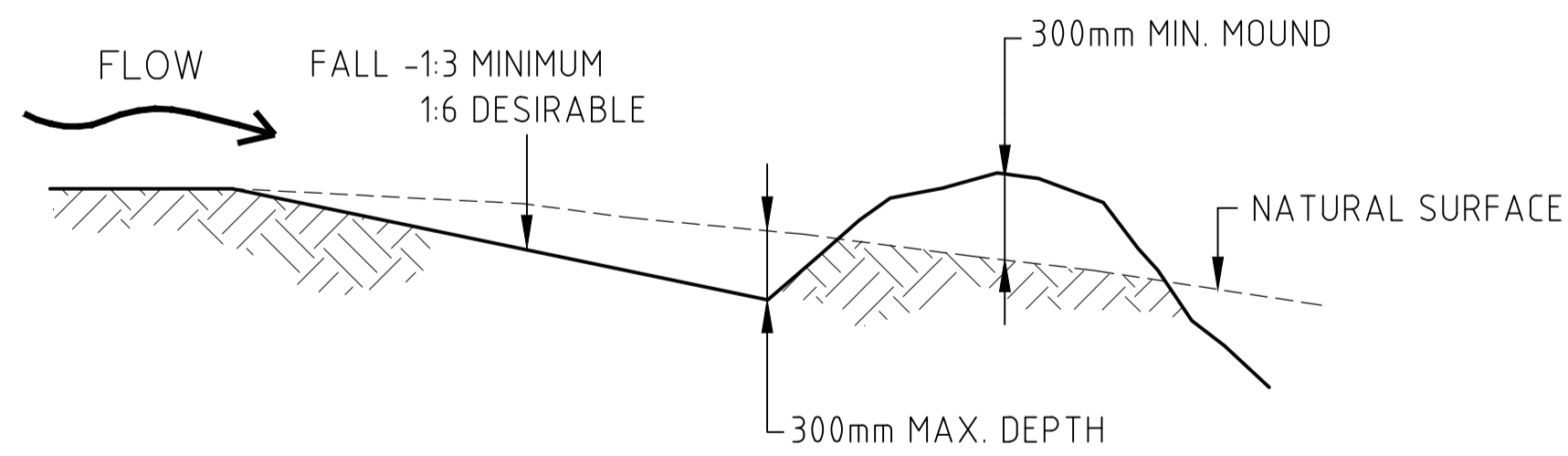
DETAIL 1
SCALE NTS
C005



DETAIL 2
SCALE NTS
C005



SECTION A
SCALE NTS



DETAIL 3
SCALE NTS
C005

COPYRIGHT
These drawings, plans and specifications and the copyright therein are the property of the Bonacci Group and must not be used, reproduced or copied wholly or in part without the written permission of the Bonacci Group.

Rev	Description	Date	By	App
P1	DEVELOPMENT APPLICATION	15.08.17	JH	-

Rev	Description	Date	By	App

BONACCI
BONACCI GROUP (NSW) Pty Ltd
ABN 29 102 716 352
Consulting Engineers, Structural - Civil - Infrastructure
Level 6, 37 York Street, Sydney, NSW 2000 Australia
Tel: +61 2 8247 8400 Fax: +61 2 8247 8444
sydney@bonaccigroup.com
www.bonaccigroup.com

Project Name
**2 MACPHERSON STREET
WARRIEWOOD, NSW 2102**

Drawing Title
**SOIL AND WATER MANAGEMENT
DETAILS SHEET 1**

DEVELOPMENT APPLICATION

Designed	JH	Project Director Approved	Date	North
Drawn	JH			
Scale	NTS	Project Ref	Drawing No	Rev
Date	15/08/17	00 21791 01	C006	P1
Sheet				