

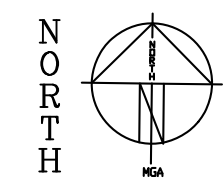
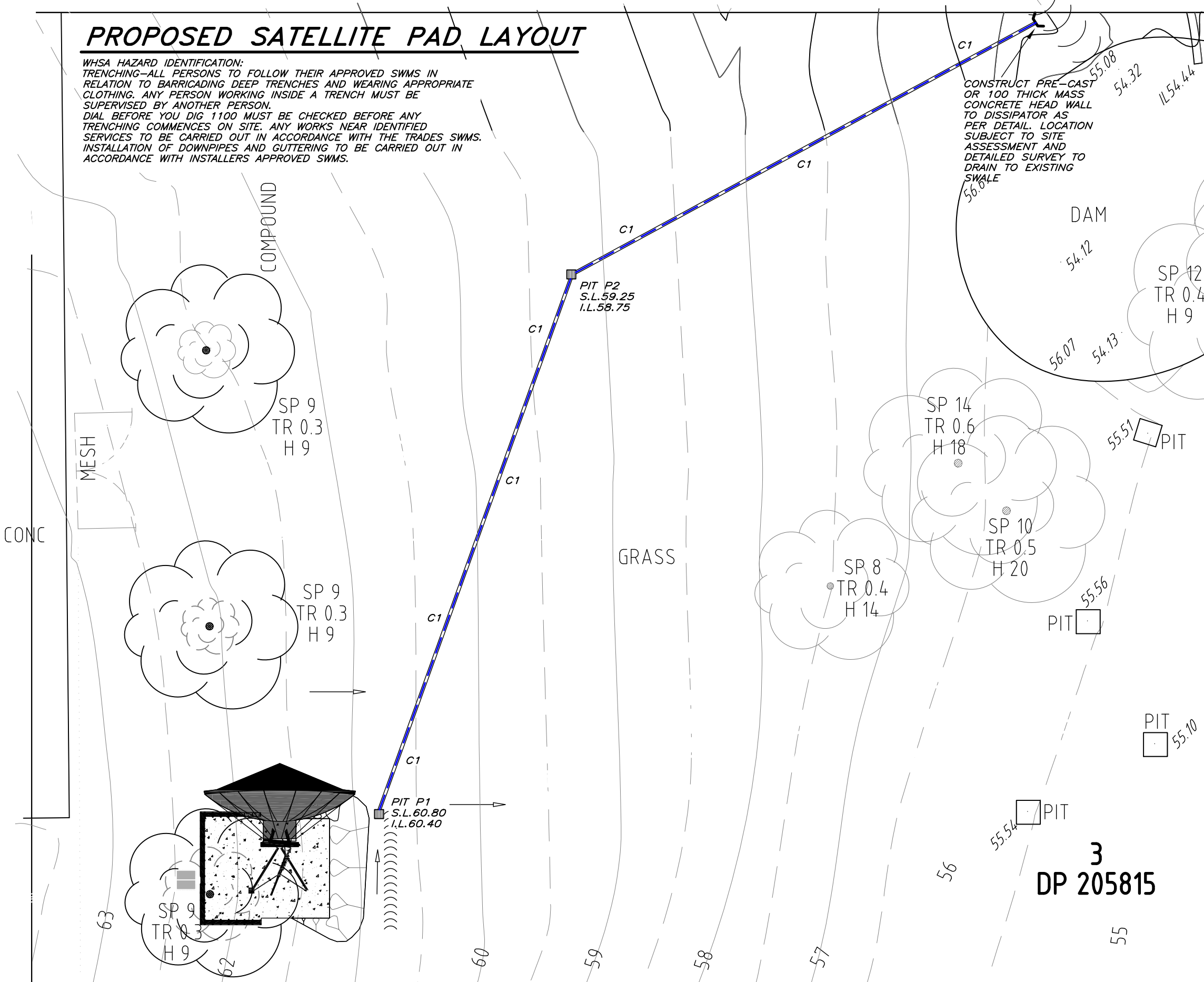
PROPOSED SATELLITE PAD LAYOUT

WHSA HAZARD IDENTIFICATION:
TRENCHING—ALL PERSONS TO FOLLOW THEIR APPROVED SWMS IN RELATION TO BARRICADING DEEP TRENCHES AND WEARING APPROPRIATE CLOTHING. ANY PERSON WORKING INSIDE A TRENCH MUST BE SUPERVISED BY ANOTHER PERSON.
DIAL BEFORE YOU DIG 1100 MUST BE CHECKED BEFORE ANY TRENCHING COMMENCES ON SITE. ANY WORKS NEAR IDENTIFIED SERVICES TO BE CARRIED OUT IN ACCORDANCE WITH THE TRADES SWMS.
INSTALLATION OF DOWNPIPES AND GUTTERING TO BE CARRIED OUT IN ACCORDANCE WITH INSTALLERS APPROVED SWMS.

STORMWATER LAYOUT NOTES

- PITS UP TO 450 DEEP TO BE 350SQ U.N.O., PITS UP TO 600 DEEP TO BE 450 SQ U.N.O., PITS UP TO 900 DEEP TO BE 600 SQ U.N.O., PITS UP TO 1200 DEEP TO BE 900 x 600 U.N.O., PITS EXCEEDING 1200 DEEP TO BE 900 SQ. U.N.O. PITS TO BE PRECAST CONCRETE OR RENDERED BRICK WITH CONCRETE HEAVY DUTY GRATES. U.N.O. LIGHT DUTY PITS AND GRATES MAY BE USED ONLY IN LIGHT/FOOT TRAFFICABLE AREAS. U.N.O. ALL PITS TO BE BENCHED TO DISCHARGE PIPES U.N.O. GAL. STEP IRONS TO ALL PITS EXCEEDING 900 DEPTH.
- COVER AND SUMP GRATES SHALL COMPLY WITH AS2733 & AS4198.
- DOWNPIPES TO BE 90 DIA IF CHARGED AND 100 x 50 BOX IF GRAVITY. U.N.O. DP'S SHALL BE INSTALLED IN ACCORDANCE WITH AS3500.3.2:4.11 & AS4198. MAX. ROOF AREA PER DOWNPIPE WITH A NOMINATED GUTTER SIZE TO BE DETERMINED USING MANUFACTURERS SPECIFICATIONS WITH OVERFLOW PROVISIONS BY INSTALLERS.
- PIPES TO HAVE 1% MIN.GRADE U.N.O. BY PIT INVERTS. PIPES TO BE V.C. CLASS 'X' OR U.P.V.C. CLASS STORMWATER PIPE TO AS1254,1260,1273,1477,2179.2 AND WHERE EXPOSED TO DIRECT SUNLIGHT TO HAVE ADEQUATE PROTECTION TO U.V. RADIATION IN ACCORDANCE WITH AS2032. SEWER GRADE/GAL. PIPES AND KERB ADAPTORS TO BE USED WHERE COUNCIL POLICY OR CONSENT REQUIRE SUCH.
- GUTTER OUTLETS SHALL BE FITTED VERTICALLY TO THE SOLE OF THE EAVE GUTTERS. RAINHEADS/BOX GUTTER SUMPS TO HAVE AN OVERFLOW DUCT OR WEIR IN ACCORDANCE WITH AS3500.
- PROVIDE OVERFLOW SPITTERS TO ALL COVERED BALCONIES/TERRACES. NOT TO BE DIRECTED ON TO ROOF SURFACES
- RISING MAINS (PRESSURE PIPE) TO BE IN ACCORDANCE WITH AS3500.1:2.
- SUBSOIL DRAINS TO BE IN ACCORDANCE WITH AS2439.1 CLASS 100 TO BE USED ONLY IN SINGLE DWELLINGS.
- ALL PIPE JOINTS, VALVES TO BE IN ACCORDANCE WITH AS3500.3.2:2.7 & AS3500.3.2
- EXPANSION JOINTS SHALL COMPLY WITH AS3500.3.2:TABLE 4.1 PVC JOINTS AND ACCESSORIES TO COMPLY WITH AS2179.2 & AS4198.
- ALL TRENCHES TO BE IN ACCORDANCE WITH AS3500.3.2:7.2.8-14. EMBEDMENT MATERIAL AND TRENCH FILL TO ALL PIPES & SUBSOIL DRAINS TO BE IN ACCORDANCE WITH AS3500.3.2:7, ALL WORKS TO BE IN ACCORDANCE WITH AS1254, 1741, 2032, 2733, 2865, 3996, 1260, 1477, 2179.1 & 2,2566, 6367, 8301, ARR97 & BCA.
- IT IS THE BUILDER'S RESPONSIBILITY TO CONFIRM THAT LEVELS AND SURVEYS ARE IN ACCORDANCE WITH LEVELS ON SITE & ARE APPROVED BY COUNCIL & ARCHITECT BEFORE COMMENCING WORK.
- NO SEWER VENTS, GULLY PITS OR SIMILAR TO BE LOCATED BELOW THE MAXIMUM WATER SURFACE LEVEL IN DETENTION BASINS. ALL BASIN WALLS TO BE WATERTIGHT & STRUCTURALLY DESIGNED BY A STRUCTURAL ENGINEER.
- ALL FENCES WHICH MAY DIVERT FLOW FROM PROPOSED DIRECTION TO BE RAISED 100mm.
- BUILDER TO ENSURE ALL DRAINAGE AREAS INCLUDING EXPOSED BALCONIES TO HAVE OVERFLOW MECHANISM IN PLACE IN THE EVENT OF BLOCKAGE WITH ADEQUATE OVERFLOW SECTION THROUGH PLANTERS, PARAPETS ETC.
- ALL EXTERIOR FINISHED GROUND LEVELS TO BE SLOPING AWAY FROM PERIMETER WALLS IN ALL CASES.
- ALL HEADROOM CLEARANCES TO BE COORDINATED BETWEEN BUILDER & ARCHITECT. NOTIFY ENGINEER FOR APPROVAL IF ANY CHANGES OCCUR.
- ALL GULLY POSITIONS ARE DIAGRAMMATIC ONLY- BUILDER SHOULD CONSULT ARCHITECTURALS FOR DIMENSIONS TO LOCATE STORMWATER ELEMENTS U.N.O.
- FIRE RATING TO ARCHITECT'S SPECIFICATION.
- ALL FINISHED FLOOR LEVELS ARE NOMINATED BY ARCHITECT.
- ALL SITE SAFETY MEASURES AND WORK METHOD STATEMENTS PREPARED BY BUILDER/SUB-CONTRACTORS ARE TO BE IMPLEMENTED DURING CONSTRUCTION. NO WORK IS TO COMMENCE UNTIL ALL WORKERS CARRY OUT SITE INDUCTION, PREPARED AND CARRIED OUT BY BUILDER. ANY HAZARD IDENTIFICATION TO BE REPORTED IMMEDIATELY TO SITE SUPERVISOR TO CARRY OUT NECESSARY PROCEDURES TO ELIMINATE HAZARD, PRIOR TO PROCEEDING WITH WORK. STRUCTURAL AND GEOTECHNICAL ADVICE SHOULD BE SOUGHT IN ALL CASES.
- CONFINED SPACES SIGNAGE TO BE INSTALLED IN ACCESSIBLE UNDERGROUND TANKS TO WORK COVER SPECIFICATIONS. ALL PITS EXCEEDING 600mm DEPTH TO HAVE 'J' BOLTS OR SIMILAR INSTALLED TO GRATES.
- MAINTENANCE DEVICES REQ'D BY AUTHORITIES ARE NOT TO BE ASSUMED SHOWN ON DRAWINGS.
- EARTH MOUNDING SHOWN AS TEMPORARY MEASURE UNTIL LANDSCAPING COMPLETED TO DIRECT FLOWS AS SHOWN.

CONSTRUCT PRE-CAST OR 100 THICK MASS CONCRETE HEAD WALL TO DISSIPATOR AS PER DETAIL. LOCATION SUBJECT TO SITE ASSESSMENT AND DETAILED SURVEY TO DRAIN TO EXISTING SWALE



REVISIONS	

ISSUE	PRINTS	ISSUED TO	DATE
1	EMAIL	BUILDER/CLIENT	8-3-24

SCALE (A3) 1:200, 100 u.n.o.
 SCALE BAR - 1m INTERVALS
 DATE MARCH 2024
 DRAWN M.I.
 DESIGNED M.I.
 APPROVED

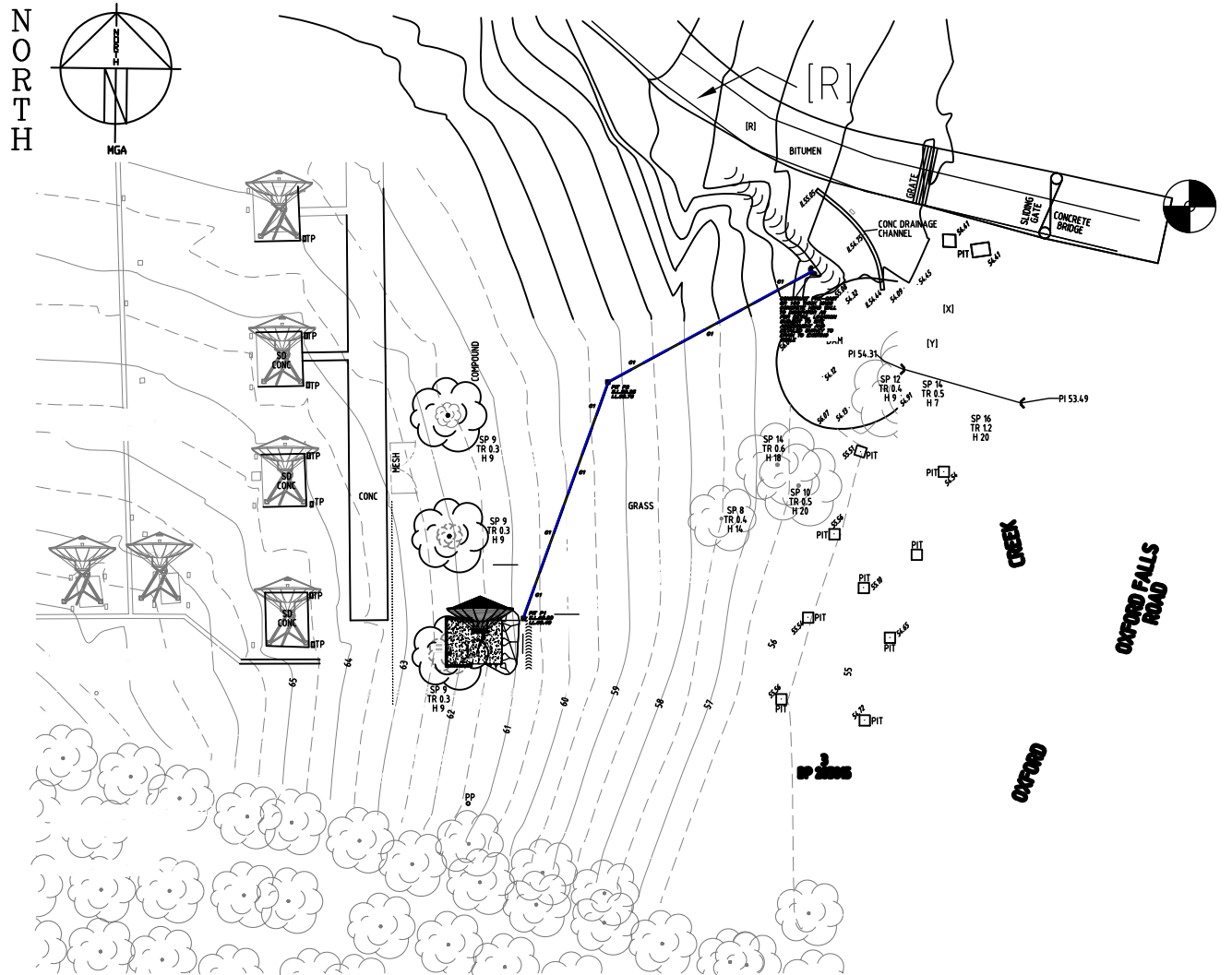


IBRAHIM STORMWATER CONSULTANTS
CONSULTING CIVIL ENGINEERS
 P.O. BOX 400 CHERRYBROOK NSW 2126
 TELEPHONE: (02) 9980 5515 FAX: (02) 9980 6114
 www.stormwater.net.au email: mail@stormwater.net.au

PROJECT
PROPOSED DEVELOPMENT
AT 995 OXFORD FALLS ROAD
OXFORD FALLS.
FOR LAYCOMM

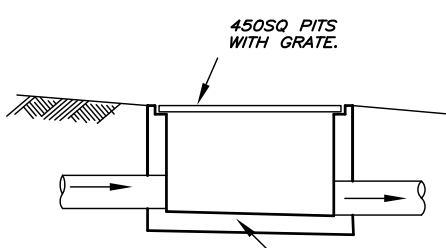
THIS DRAWING
STORMWATER
LAYOUT SH.1
 BUILDER
 TBA

JOB NUMBER
L11638-130224
 SHEET No. **1 of 2**
 REVISION



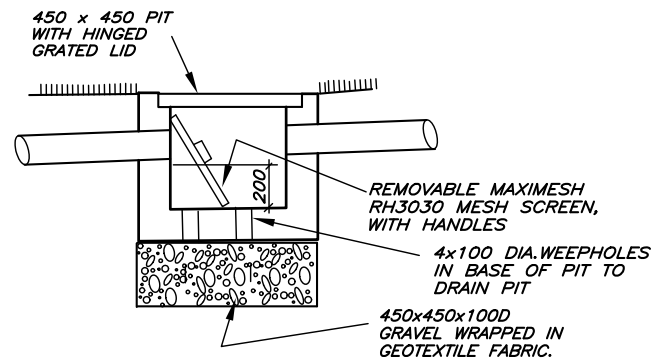
LOCALITY PLAN

NOT TO SCALE



TYPICAL PIT DETAIL

NOT TO SCALE



SILT ARRESTOR PIT - P2

WHSA
 ALL NEARBY SERVICES TO BE LOCATED PRIOR EXCAVATIONS.
 ALL PIPES TO BE CUT FLUSH WITH PIT WALLS AND SPARGED.
 PITS EXCEEDING 600mm IN DEPTH TO HAVE LOCK DOWN MECHANISM.
 SAFETY GEAR TO BE WORN AT ALL TIMES. INCLUDING FOOTWEAR, CLOTHING AND GLOVES AS PER SWMS.

THIS DRAWING IS DIAGRAMMATIC ONLY & NOT TO BE SCALED. IT IS NOT A PART 4A CERT. REFER TO ARCHITECTS DRAWINGS FOR DIMENSIONS. COPYRIGHT IN THIS DRAWING IS THE PROPERTY OF IBRAHIM STORMWATER CONSULTANTS AND THE DRAWING SHALL NOT BE REPRODUCED OR COPIED, WHOLE OR IN PART, IN ANY FORM WITHOUT THE PRIOR WRITTEN APPROVAL OF IBRAHIM STORMWATER CONSULTANTS

BUILDER/CLIENT TO ENSURE THAT ALL SAFETY MEASURES ARE TAKEN DURING CONSTRUCTION, INCLUDING BUT NOT LIMITED TO, SAFETY FENCING, SIGNAGE, OBTAINING STRUCTURAL AND GEOTECHNICAL ADVICE WHERE EXCAVATIONS ARE NEAR STRUCTURES OR SERVICES, SAFETY MEASURES RECOMMENDED BY PRODUCT SUPPLIERS ETC.

REVISIONS	

ISSUE	PRINTS	ISSUED TO	DATE
1	EMAIL	BUILDER/CLIENT	8-3-24

SCALE(A3) 1:200, 100 u.n.o.
 SCALE BAR - 1m INTERVALS
 DATE MARCH 2024
 DRAWN M.I.
 DESIGNED M.I.
 APPROVED



IBRAHIM STORMWATER CONSULTANTS
CONSULTING CIVIL ENGINEERS
 P.O. BOX 400 CHERRYBROOK NSW 2126
 TELEPHONE: (02) 9980 5515 FAX: (02) 9980 6114
 www.stormwater.net.au email: mail@stormwater.net.au

PROJECT
PROPOSED DEVELOPMENT
AT 995 OXFORD FALLS ROAD
OXFORD FALLS.
FOR LAYCOMM

THIS DRAWING
STORMWATER
DETAILS SH.1
 BUILDER
 TBA

JOB NUMBER
L11638-130224

SHEET No.
2 of 2

REVISION