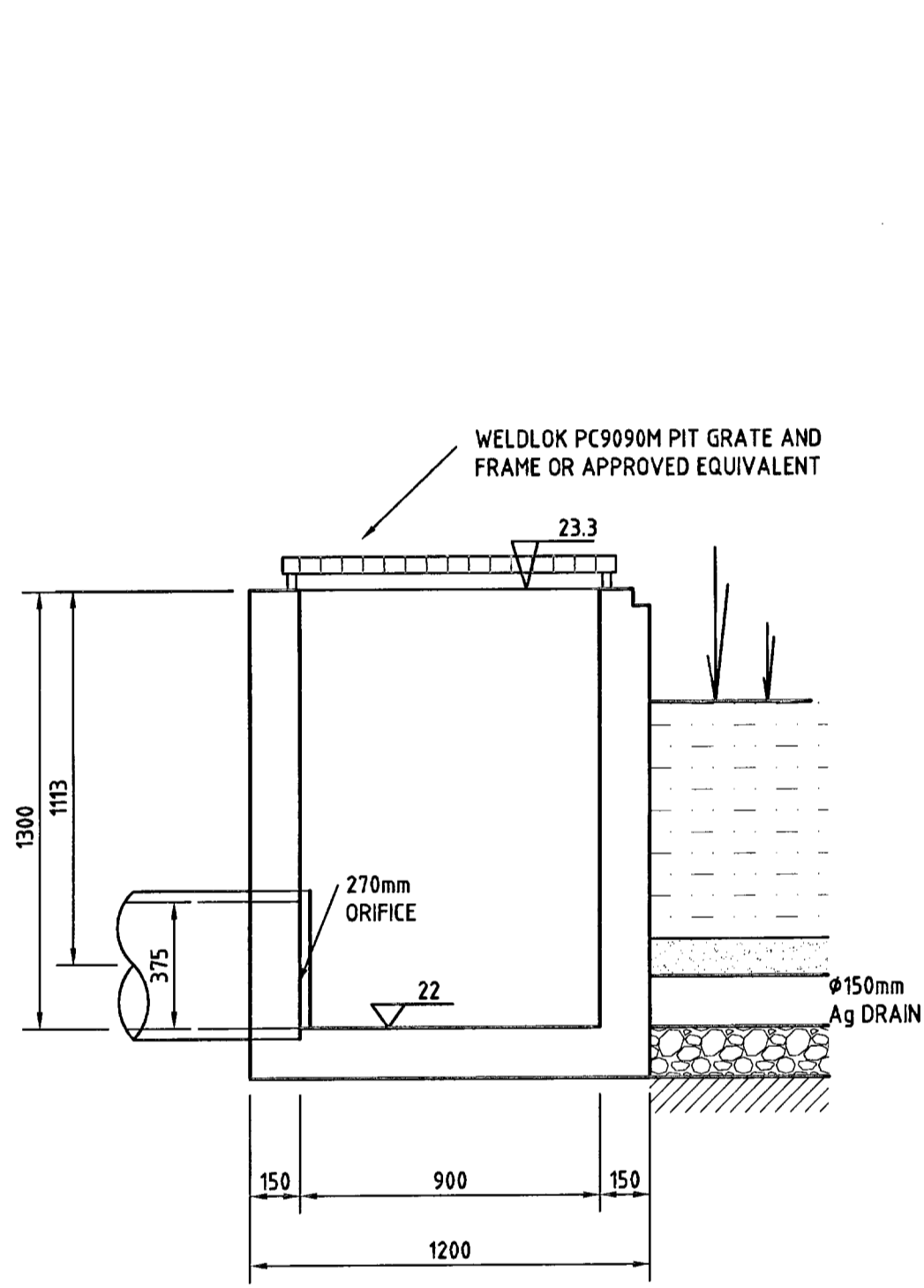
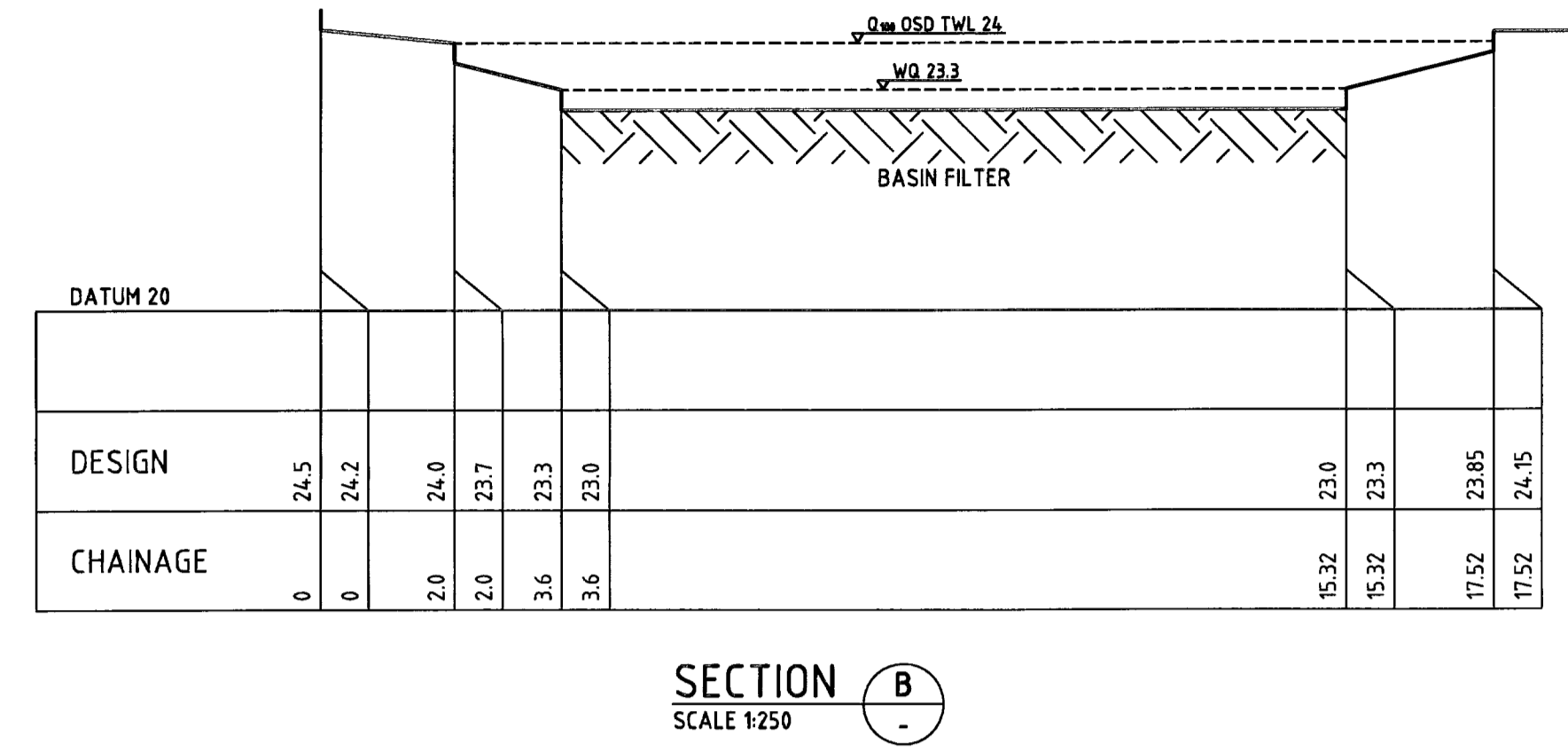
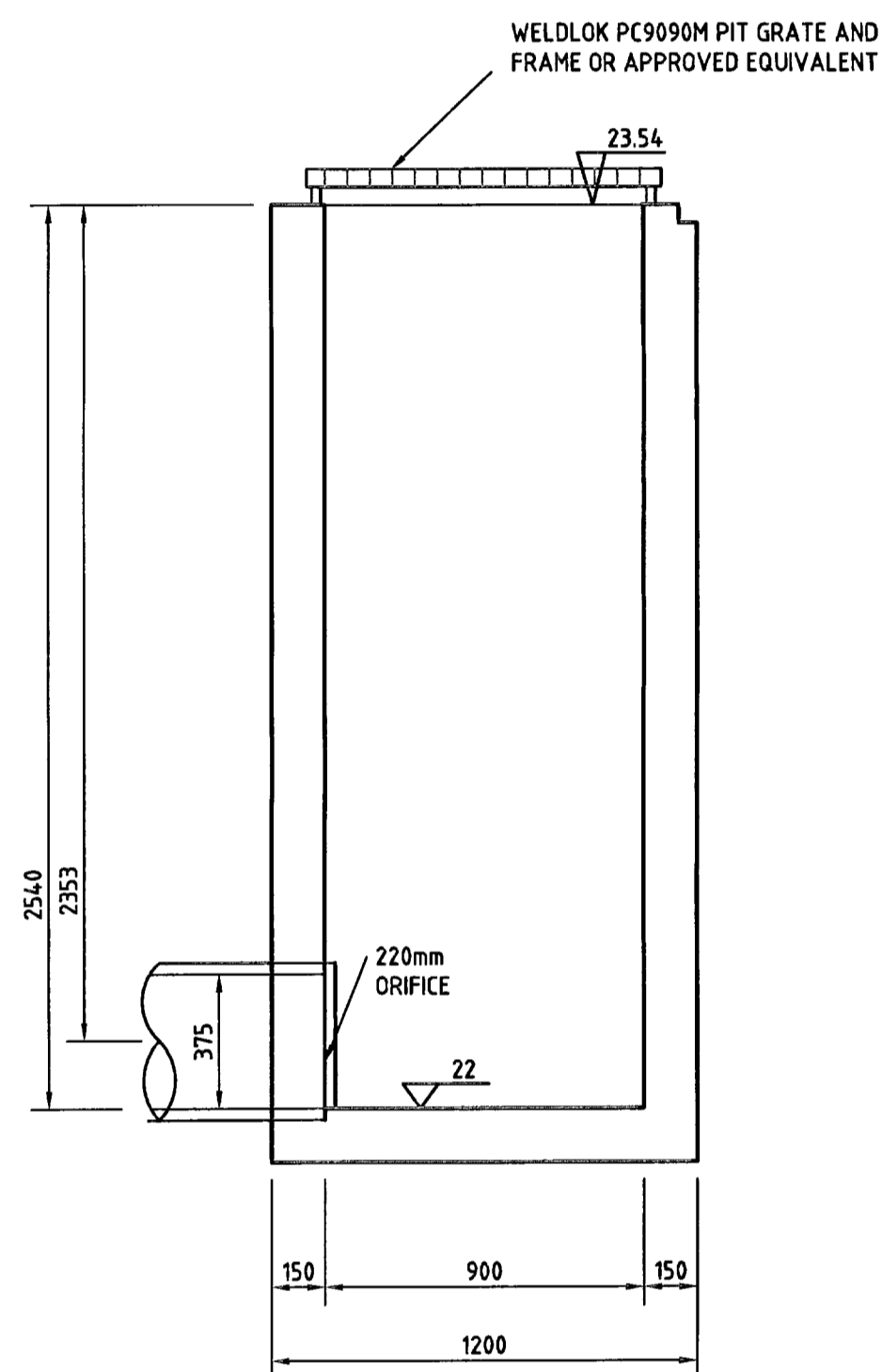


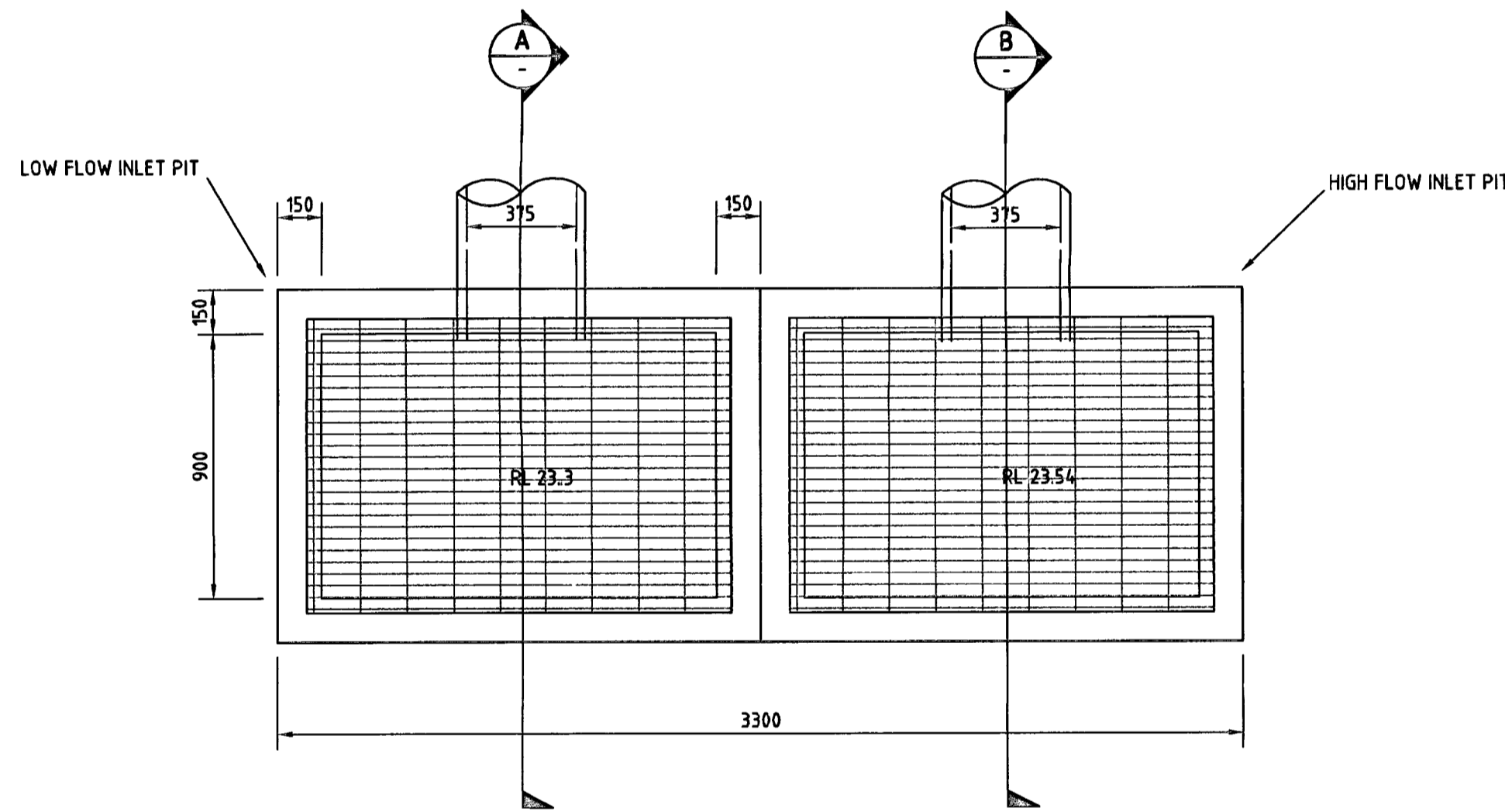
SITE A (TOTAL) DETAILS
 CATCHMENT AREA 2.1ha
 PSD (Q₁₀₀) 0.769m³/s
 BYPASS FLOW (Q₁₀₀) 0.28m³/s
 TOTAL OUTFLOW (Q₁₀₀) 0.718m³/s



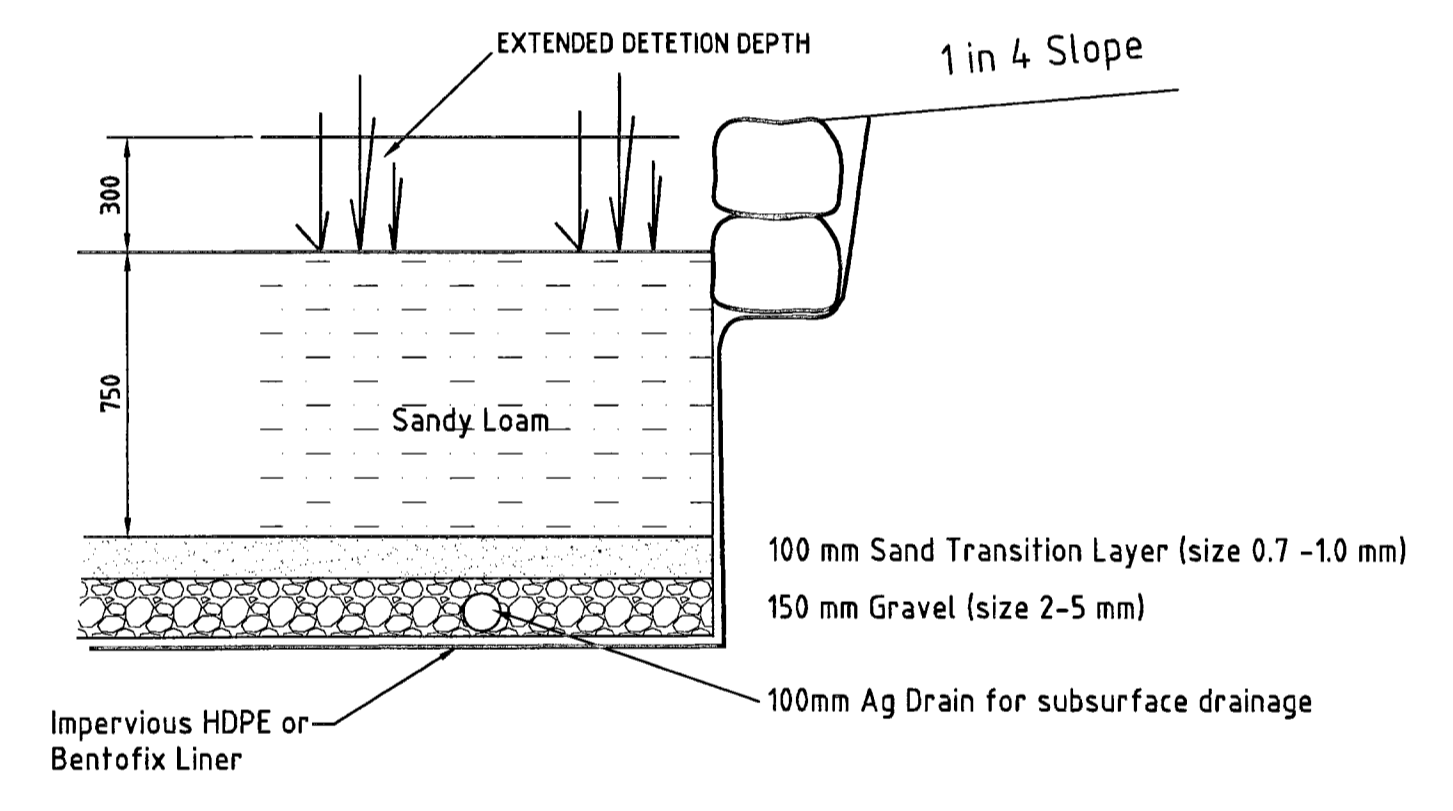
BIOFILTRATION BASIN LOWFLOW OUTLET STRUCTURE
BASIN A2/ SECTION A



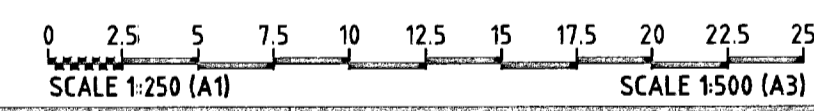
BIOFILTRATION BASIN HIGHFLOW OUTLET STRUCTURE
BASIN A2/ SECTION B



BASIN OUTLET STRUCTURE
BASIN A2



TYPICAL BASIN FILTER AREA PROFILE
BASIN A2



REV	DATE	DESCRIPTION	BY	VER	APP
03	29/06/06	ISSUED FOR REZONING	MS	JL	
02	02/05/06	CLIENT REVIEW	MS	JL	
01	22/09/04	ISSUED FOR DA APPROVAL	AK	JL	
		AMENDMENTS			

Disclaimer and Copyright:
 ALL DIMENSIONS TO BE CHECKED ON SITE BY SUPERINTENDANT PRIOR TO CONSTRUCTION. USE WRITTEN DIMENSIONS ONLY. DO NOT SCALE.
 © 2004 W P Brown & Partners Pty Ltd

Brown Consulting (NSW) Pty Ltd
 Level 2, 82 Waterloo Road Macquarie Park NSW Australia 2113
 Telephone: 02 9900 1000 Facsimile: 02 9900 1099

Sydney
 Canberra
 Brisbane
 Melbourne
 Singapore

	VERIFICATION		
	INITIALS	SIGNATURE	DATE
DRAFTING	AK		18/10/04
DESIGN	JL		18/10/04
VERIFY	RAP		18/10/04
APPROVED	RAP		18/10/04

Architects: **JUBILEE DEVELOPMENTS**

Project: **SECTOR 5 WARRIEWOOD VALLEY**

Drawing: **BIOFILTRATION BASIN A2 PLAN AND SECTION**

Drawn by: AK	Sheet: 1 OF 1
Design by: JL	Scale:
Project No: X04023	
Drawing No: D04	Rev: 01