

- NOTES**
- Do not scale drawings. Written dimensions govern. All dimensions are in millimetres unless noted otherwise.
  - All levels shown are in metres Australian Height Datum and dimensions in millimetres unless otherwise specified.
  - All dimensions shall be verified on site before proceeding with the work. Hassell shall be notified in writing of any discrepancies.
  - All levels shown for coordination purposes only. Refer to TTV drawings.
  - This drawing must be read in conjunction with all relevant contracts, specifications and drawings. This drawing is an uncontrolled copy. Unless noted otherwise. © Copyright of this drawing is vested in Hassell Ltd.

REV	DESCRIPTION	DATE
A	For information - Pre-Design & FTB	14.08.2019
B	For information	29.08.2019
C	For information	09.09.2019
D	For information	13.09.2019
E	For information	17.09.2019
F	For information	19.09.2019
G	For information	24.09.2019
H	For Quantity Surveyor	26.09.2019
J	Draft DA Issue	27.09.2019
K	Draft DA Issue	30.09.2019
L	For Development Application	17.10.2019
M	Re-issued For DA Amendment	23.03.2020
N	For Development Application	03.07.2020
P	For L01 DA Modification	13.08.2021

**REVISION AMENDMENTS**

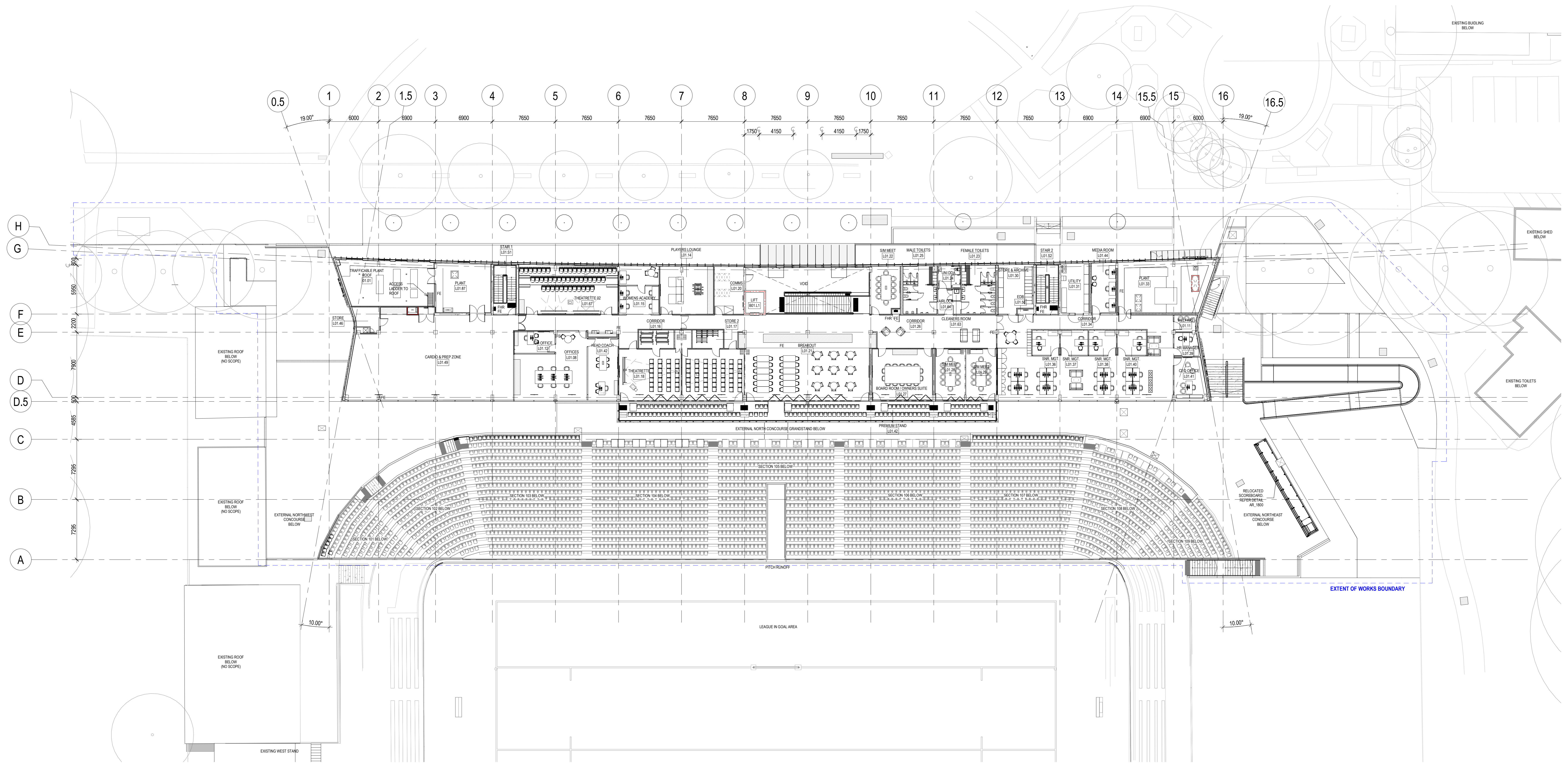
**CONSULTANT**  
**Hassell**  
 Hassell LTD ABN 24 007 711 435  
 Level 2, Pier 8/23 Hickson Rd  
 Sydney NSW 2000, Australia  
 T +61 2 9101 2000  
 F +61 2 9101 2100  
 sydney@hassellstudio.com  
 Nominated Architects NSW  
 Tony Grant 5350  
 Glenn South 6842  
 Ross de la Motte 7398

Civil & Structure	Acoustics
TTW Level 3 48 Chandos Street St Leonards NSW 2065	GN&F 68-70 Crown Street Woolloomooloo NSW 2011
Services LCI Level 4 73 Walker Street North Sydney NSW 2060	Acoustics Pulse Acoustics Level 4 73 Walker Street North Sydney NSW 2060
BCA McKenzie Group Level 6 189 Kent Street Sydney NSW 2000	Branding Brand Culture 202 / 19a Boundary Street Rushcutters Bay NSW 2011
Team Planner URBIS Level 4 73 Walker Street North Sydney NSW 2060	Cost Planner RLB Level 19 141 Walker Street North Sydney NSW 2060

**CLIENT**  
 MANLY WARRINGAH SEA EAGLES  
**PROJECT**  
 BROOKVALE OVAL REDEVELOPMENT  
 CENTRE OF EXCELLENCE AND  
 GRANDSTAND

**STATUS**  
 FOR DEVELOPMENT APPLICATION  
**DRAWING TITLE**  
 GA PLAN - UPPER LEVEL L01

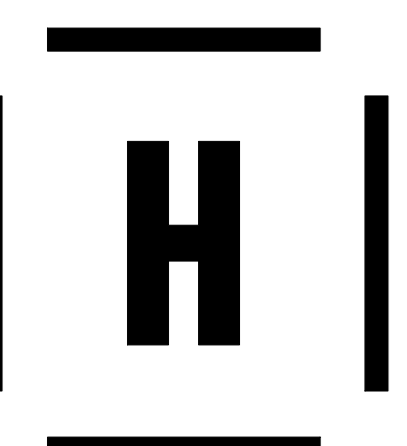
REVIEWED	SCALE @ A0
IB	As indicated
APPROVED	PROJECT NO.
GS	014340
DRAWING NO.	REV NO.
A_1002	P

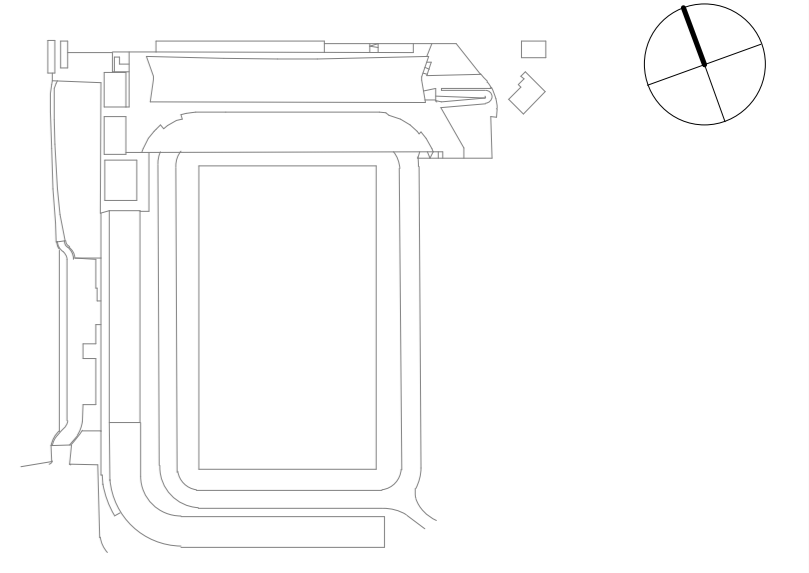


1 GA PLAN - UPPER LEVEL L01 - DA  
 1:200

**LEGEND FIRE RATING**

SYMBOL	DESCRIPTION
---	2 HOUR FIRE RATING
FE	FIRE EXTINGUISHER
FHR	FIRE HOSE REEL





**NOTES**

- Do not scale drawings. Written dimensions govern. All dimensions are in millimetres unless noted otherwise.
- All levels shown are in metres Australian Height Datum and dimensions in millimetres unless otherwise specified.
- All dimensions shall be verified on site before proceeding with the work. Hassell shall be notified in writing of any discrepancies.
- All levels shown for coordination purposes only. Refer to TTV drawings.
- This drawing must be read in conjunction with all relevant contracts, specifications and drawings. This drawing is an uncontrolled copy. Unless noted otherwise. © Copyright of this drawing is vested in Hassell Ltd.

REV	DESCRIPTION	DATE
A	For information - Pre-Design & FTB	14.08.2019
B	For information	29.08.2019
C	For information	09.09.2019
D	For information	13.09.2019
E	For information	17.09.2019
F	For information	19.09.2019
G	For information	24.09.2019
H	For Quantity Surveyor	26.09.2019
J	Draft DA Issue	27.09.2019
K	Draft DA Issue	30.09.2019
L	For Development Application	17.10.2019
M	Re-issued For DA Amendment	23.03.2020
N	For Development Application	03.07.2020
P	For L01 DA Modification	13.08.2021

**REVISION AMENDMENTS**

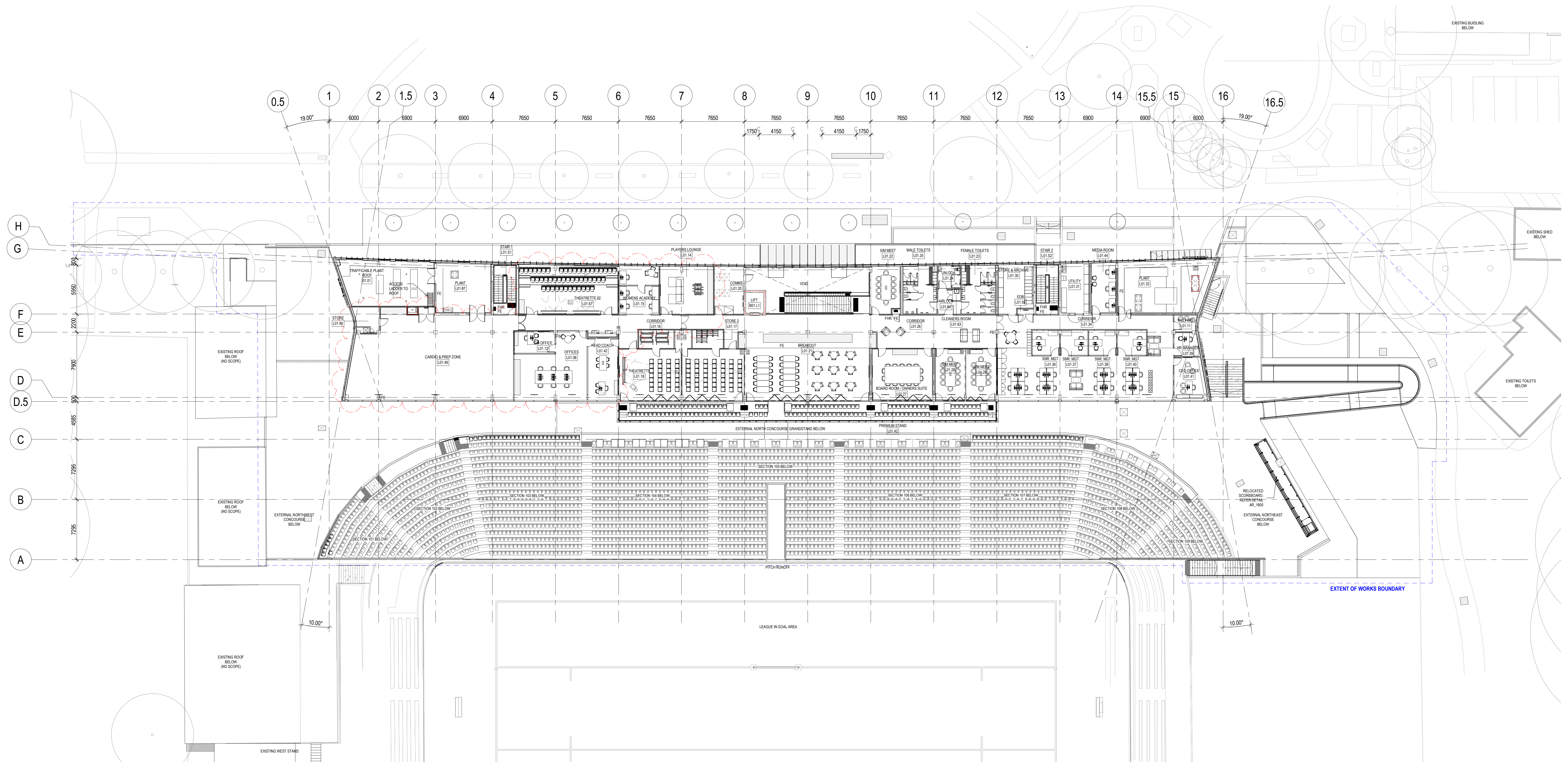
**CONSULTANT**  
**Hassell**  
 Hassell LTD ABN 24 007 711 435  
 Level 2, Pier 8/9, 23 Hickson Rd  
 Sydney NSW 2000, Australia  
 T +61 2 9101 2000  
 F +61 2 9101 2100  
 sydney@hassellstudio.com  
 Nominate Architects NSW  
 Tony Grant 5350  
 Glenn South 6842  
 Ross de la Motte 7398

Discipline	Consultant	Address
<b>Civil &amp; Structure</b>	TTV	Level 3 48 Chandon Street St Leonards NSW 2065
<b>Acoustics</b>	GN&F	68-70 Crown Street Woolloomooloo NSW 2011
<b>Services</b>	LCI	Level 4 73 Walker Street North Sydney NSW 2060
<b>Acoustics</b>	Pulse Acoustics	Level 4 73 Walker Street North Sydney NSW 2060
<b>BCA</b>	Mckenzie Group	Brand Culture 202 / 19a Boundary Street Rushcutters Bay NSW Sydney NSW 2000
<b>Branding</b>	Brand Culture	202 / 19a Boundary Street Rushcutters Bay NSW Sydney NSW 2000
<b>Team Planner</b>	URBIS	Level 4 73 Walker Street North Sydney NSW 2060
<b>Cost Planner</b>	RLB	Level 19 141 Walker Street North Sydney NSW 2060

**CLIENT**  
 MANLY WARRINGAH SEA EAGLES  
**PROJECT**  
 BROOKVALE OVAL REDEVELOPMENT  
 CENTRE OF EXCELLENCE AND  
 GRANDSTAND

**STATUS**  
 FOR DEVELOPMENT APPLICATION  
**DRAWING TITLE**  
 GA PLAN - UPPER LEVEL L01

REVIEWED	SCALE @ A0
IB	As indicated
APPROVED	PROJECT NO.
GS	014340
DRAWING NO.	REV NO.
A_1002	P



1 GA PLAN - UPPER LEVEL L01 - DA  
 1:200

**LEGEND FIRE RATING**

SYMBOL	DESCRIPTION
	2 HOUR FIRE RATING
FE	FIRE EXTINGUISHER
FHR	FIRE HOSE REEL

