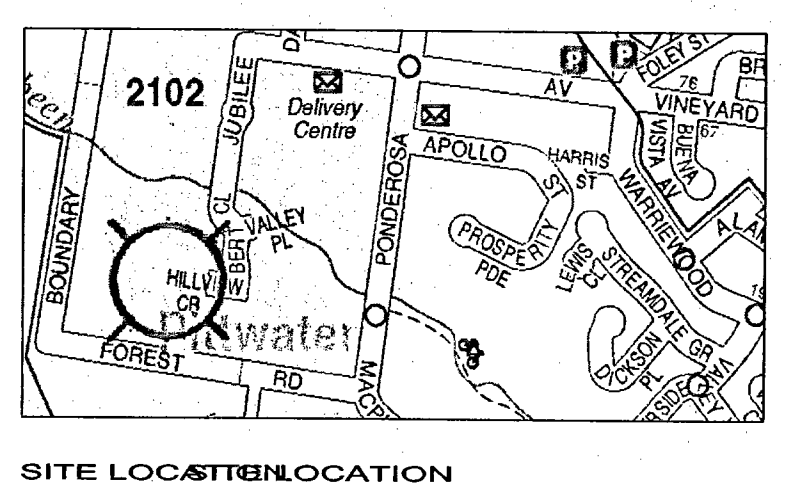
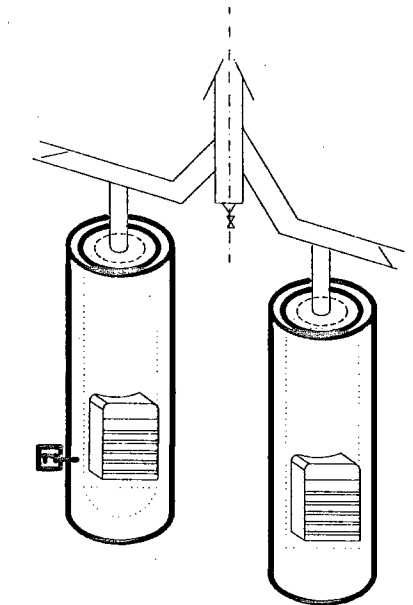
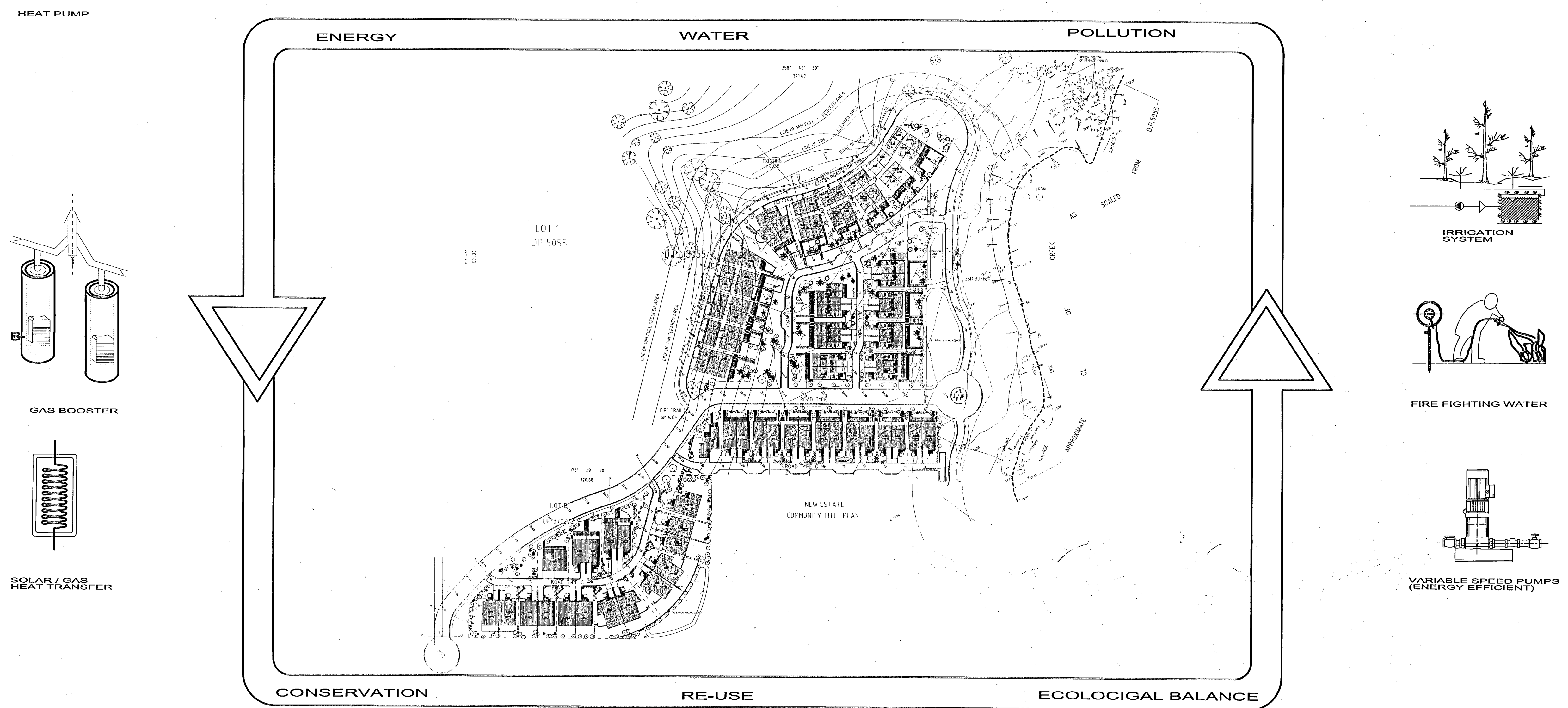


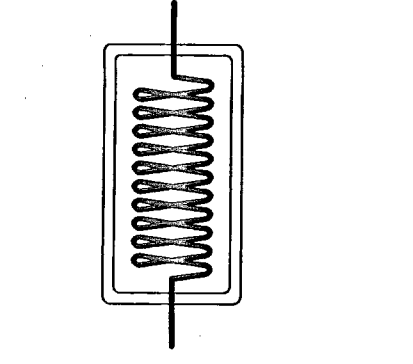
thomsonkane



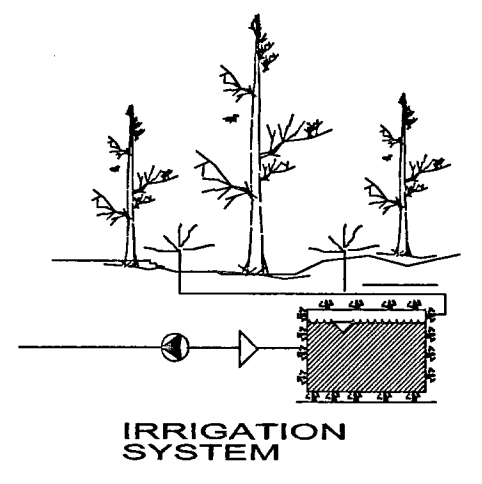
SITE LOCATION



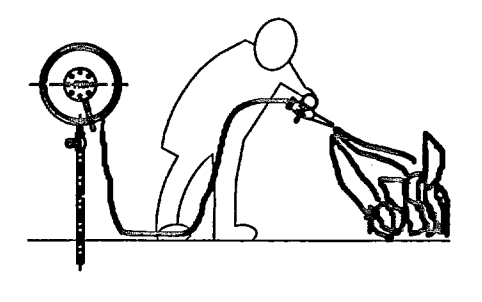
GAS BOOSTER



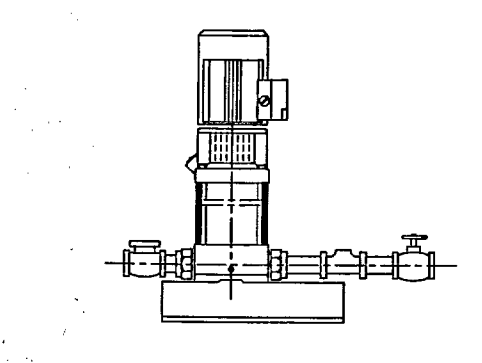
SOLAR / GAS HEAT TRANSFER



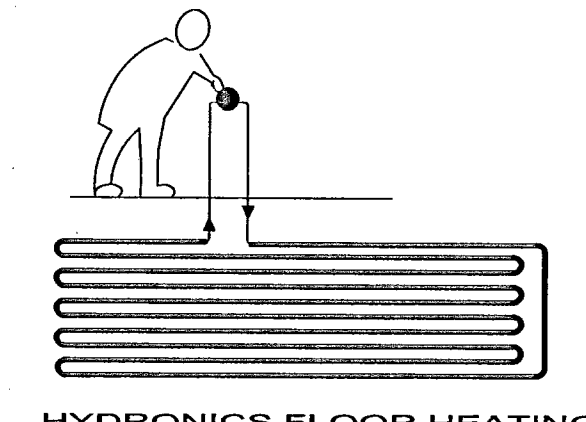
IRRIGATION SYSTEM



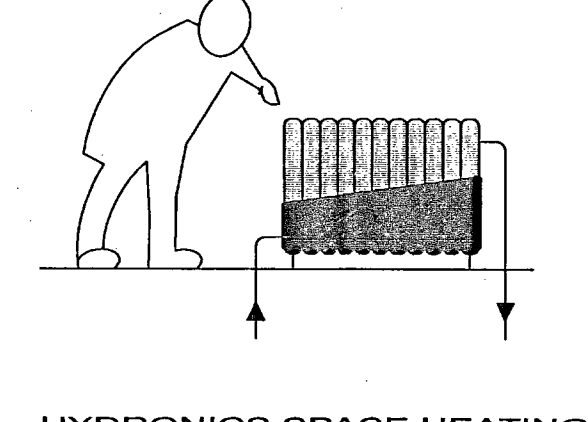
FIRE FIGHTING WATER



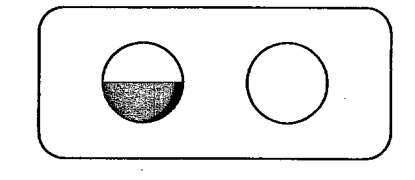
VARIABLE SPEED PUMPS (ENERGY EFFICIENT)



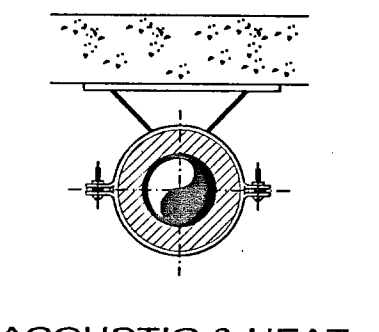
HYDRONICS FLOOR HEATING



HYDRONICS SPACE HEATING



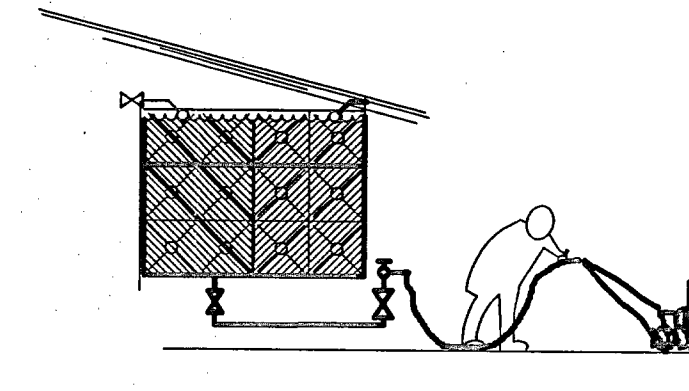
DUAL FLUSH TOILETS



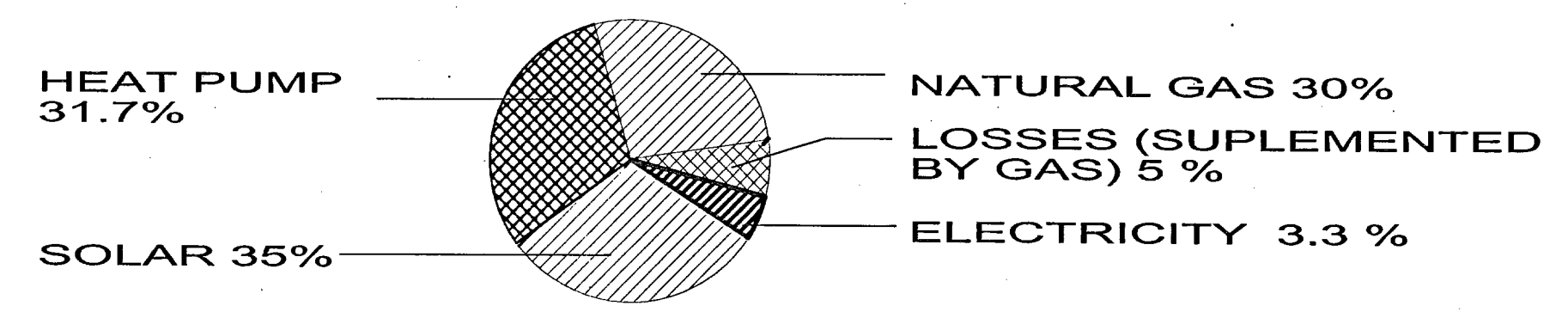
ACOUSTIC & HEAT INSULATED PIPEWORK



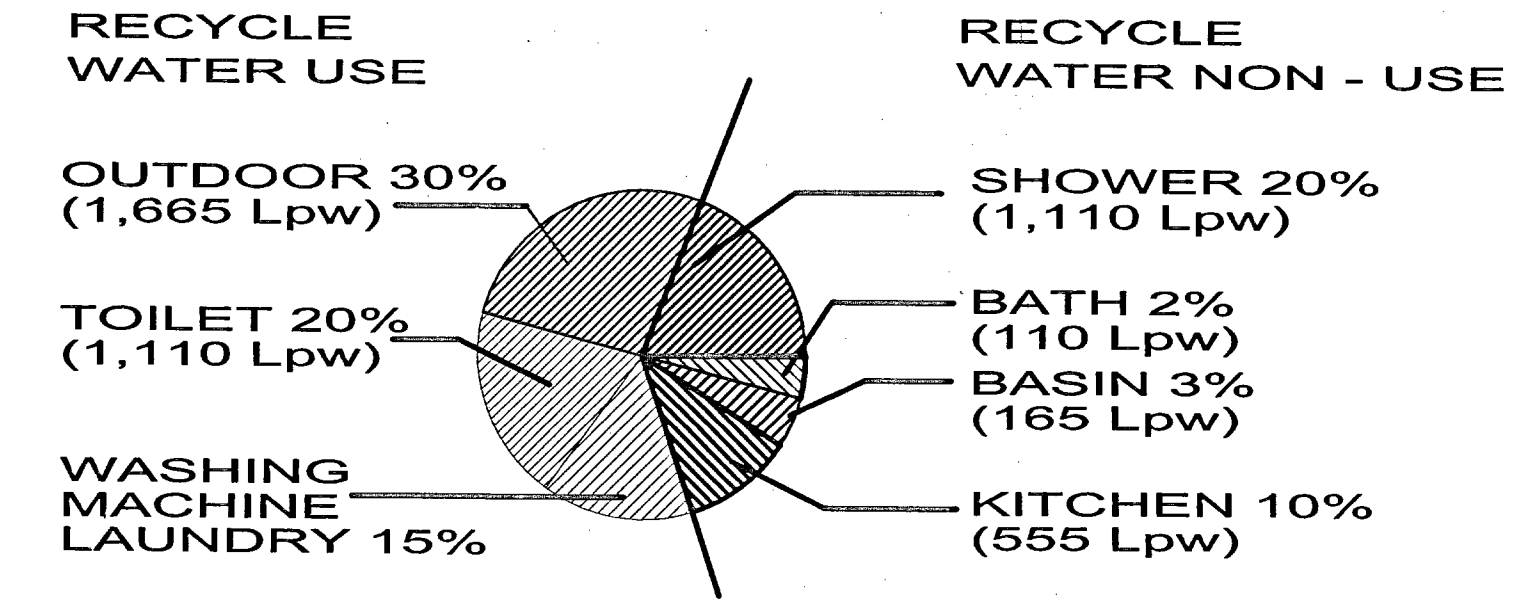
ANTISCALD WATER FLOW AND TEMPERATURE CONTROL



WATER STORAGE TANK



AVERAGE ENERGY USAGE IN PROPOSED DEVELOPMENT



AVERAGE SYDNEY HOUSEHOLD

REV	ISSUE	BY	CHKD	DATE
A	PRELIMINARY ISSUE	AM	AT	07.05.06

DISCIPLINE	DRG NO.	REV	REASON FOR ISSUE
ARCHITECTURAL	21.04.06		PRELIMINARY AUTHORIZATION
STRUCTURAL			
LANDSCAPE			
ELECTRICAL			
CIVIL	26.05.06		VERIFICATION OF LATEST AMENDMENT

**thomsonkane**  
 Consulting Hydraulic and Fire Engineers  
 261 Pacific Highway, North Sydney NSW 2060  
 Phone: (02) 9955 0788 Fax: (02) 9954 5532  
 Email: h@thomsonkane.com.au  
 WWW.THOMSONKANE.COM.AU  
 ACN 109 903 649  
 THIS DRAWING IS COPYRIGHT ©

**ARCHITECTS:**  
**Denis Leech Associates P/L**  
 350 George Street, Sydney NSW 2000  
 Tel: (02) 9997 7288 Fax: (02) 9997 3164

**MASTER PLANNING:**  
**Wolski, Lycenko & Brechnock**  
 115 Military Road, Neutral Bay NSW 2089  
 Tel: (02) 9953 8477 Fax: (02) 9953 8557

**ELECTRICAL:**  
**WEBB AUSTRALIA**  
 37 Ryde Road, Pymble NSW 2073  
 Tel: (02) 9418 1444 Fax: (02) 9418 1191

**ENVIRONMENTAL:**  
**WP Brown & Partners Pty Ltd**  
 Level 2, 82 Waterloo Road  
 Macquarie Park NSW 2113  
 Tel: (02) 9900 1000 Fax: (02) 9900 1099

**LANDSCAPE:**  
**Place Planning & Design P/L**  
 Suite 10, Norberry Terrace, 177 Pacific Hwy  
 North Sydney NSW 2060  
 Tel: (02) 9959 5021 Fax: (02) 9959 5802

**PROJECT:**  
**PROPOSED RESIDENTIAL SUBDIVISION - 5 WARRIEWOOD VALLEY, WARRIEWOOD NSW**

**TITLE: HYDRAULIC SERVICES**  
**WATER CYCLE DIAGRAM**

SCALE:	PROJECT NO:	CAD REF:
	4733-2H	T:TKNEW/
DATE: MAY '06	DRAWING NUMBER:	REVISION:
DRAWN BY:	H-01	A
CHKD BY: AT		