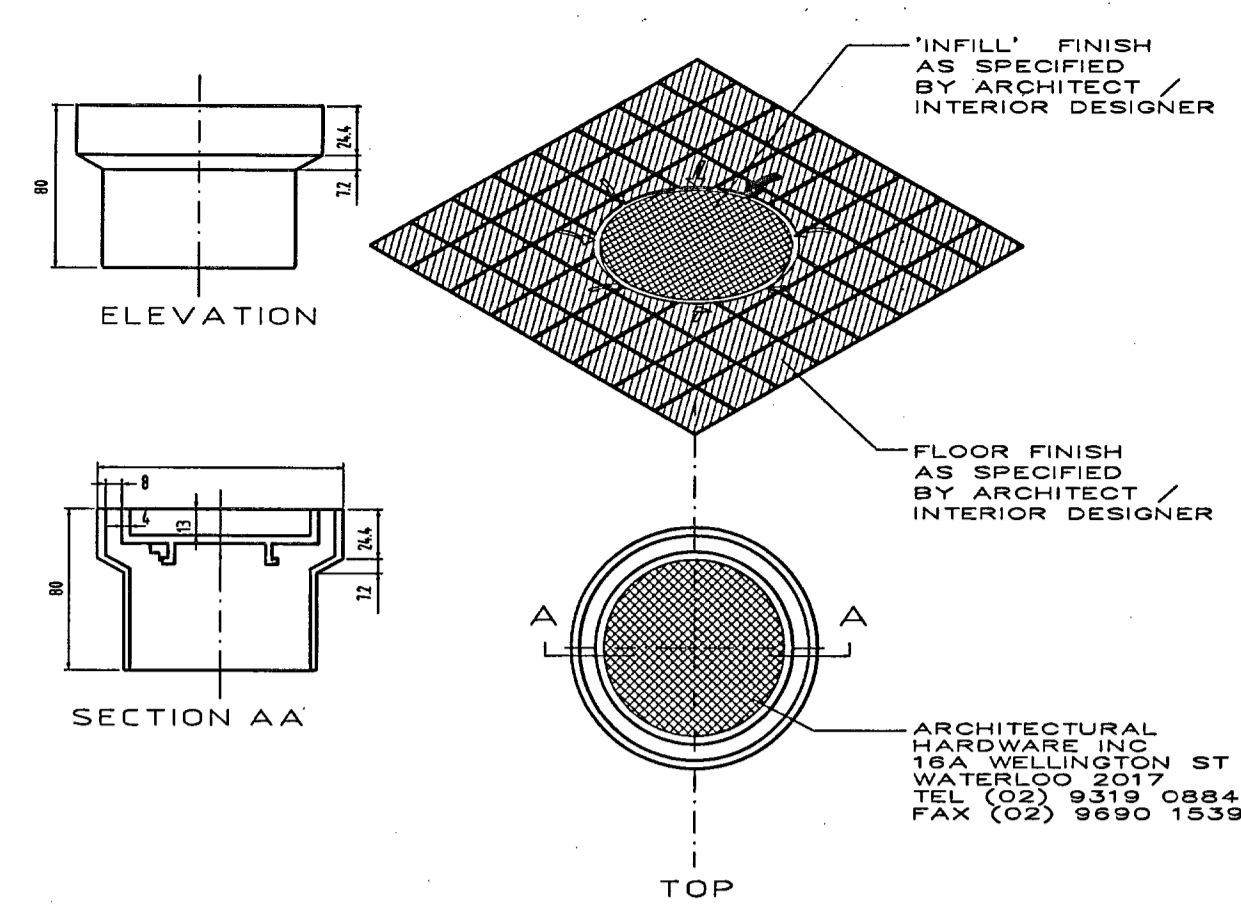
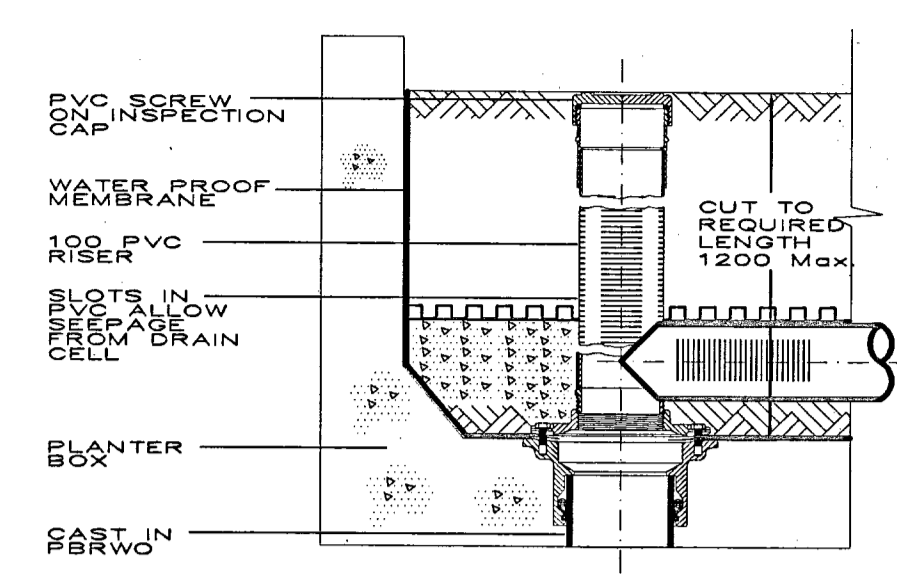


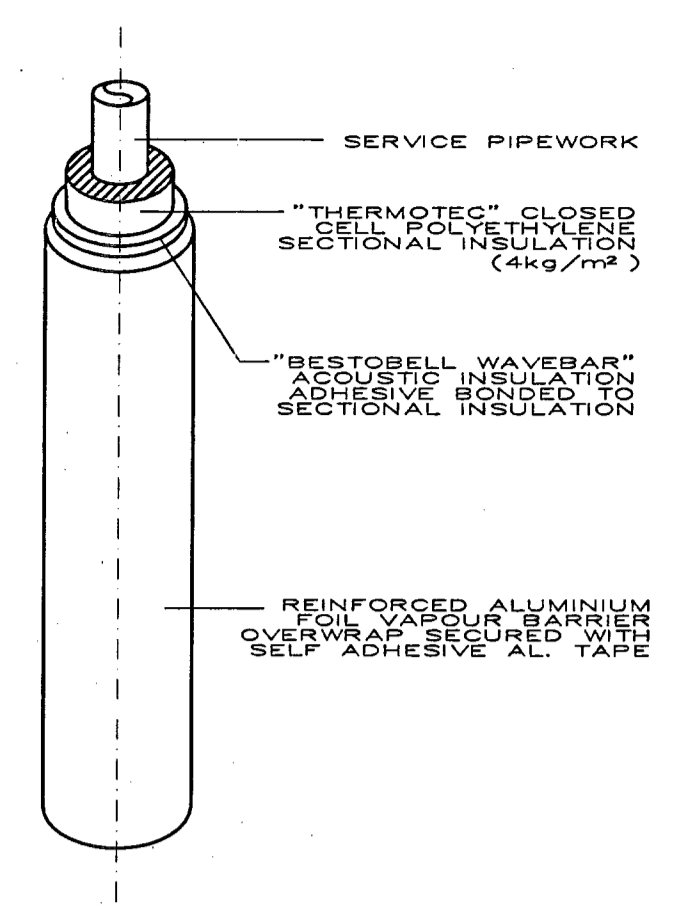
DETAIL - 01  
TYPICAL FLOORWASTE  
N.T.S.



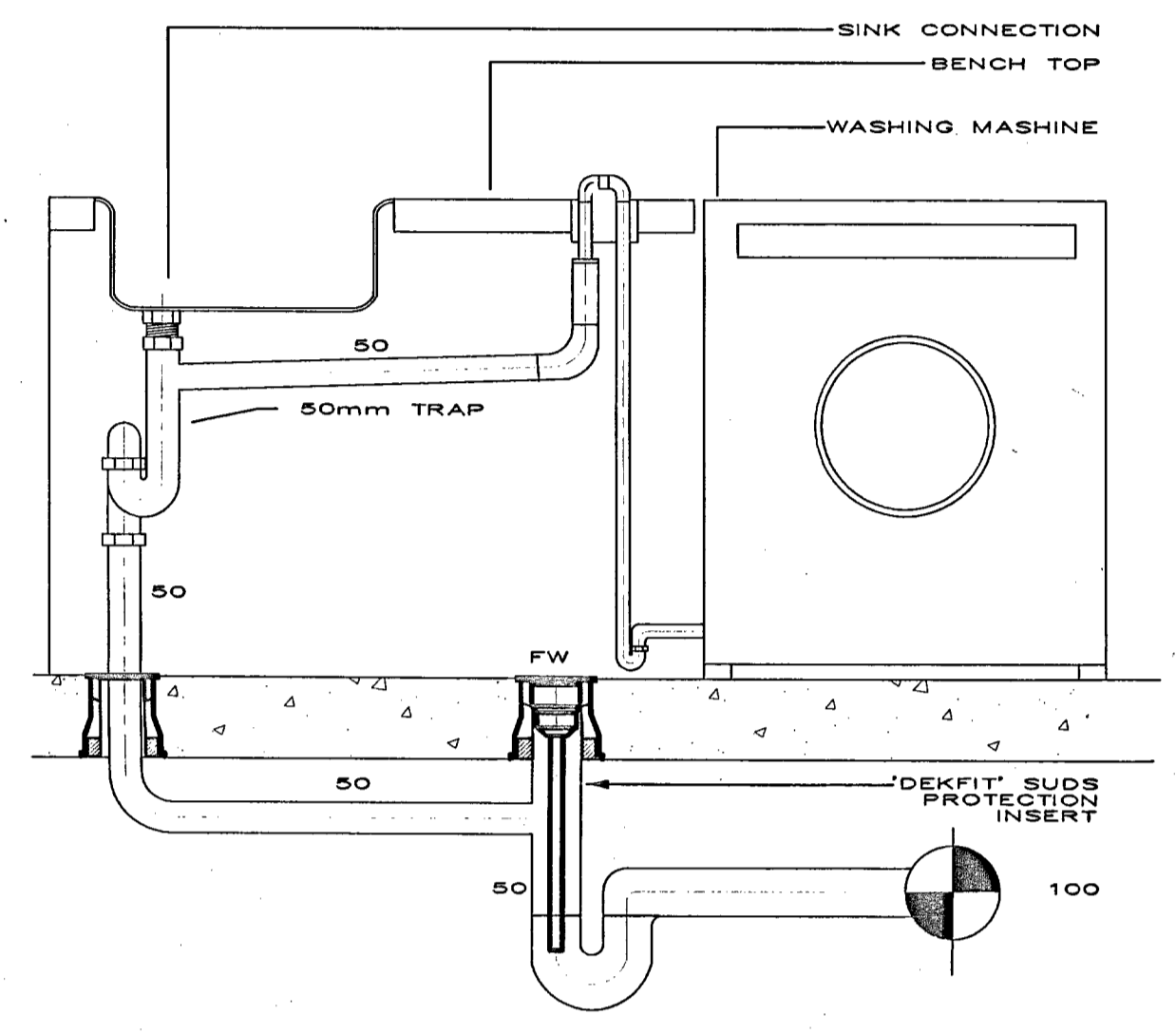
DETAIL - 02  
TYPICAL FLOORWASTE  
N.T.S.



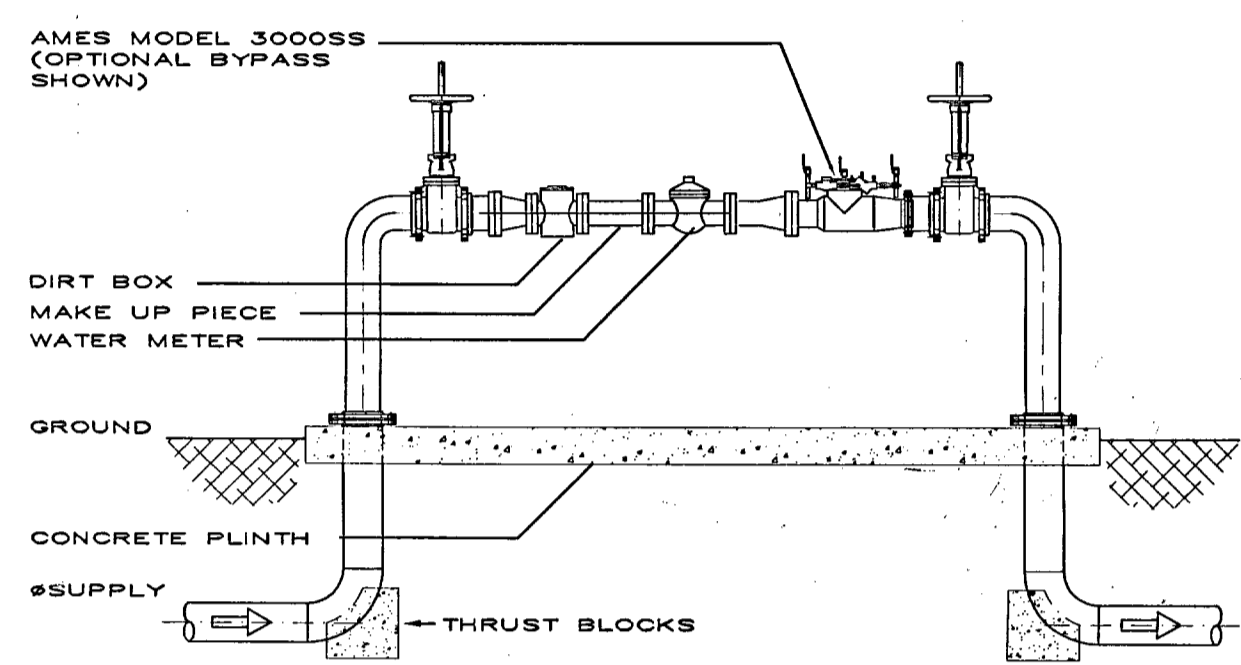
DETAIL - 03  
PLANTER BOX  
N.T.S.



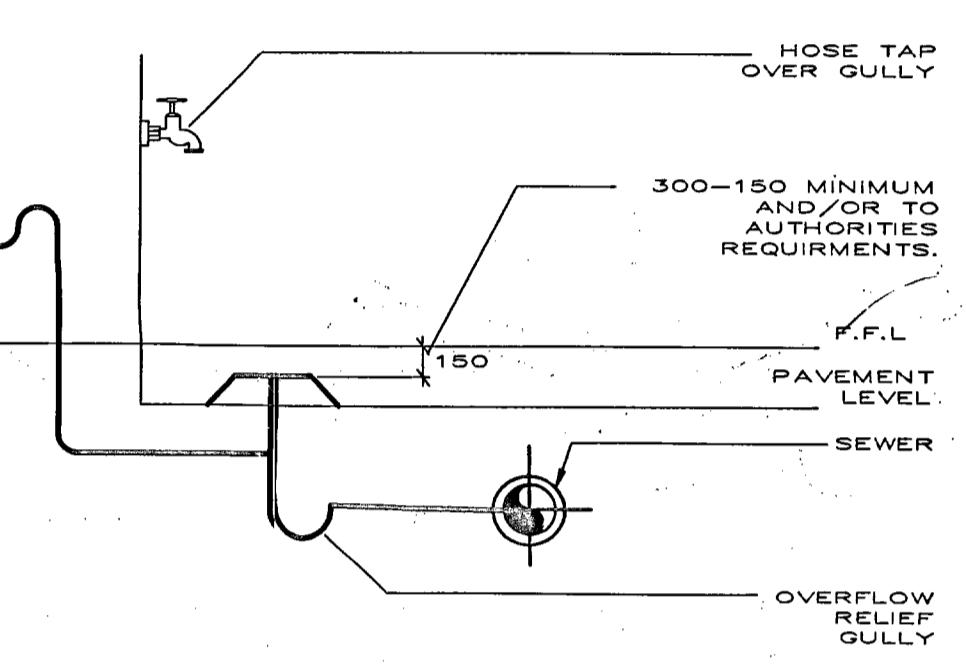
DETAIL - 04  
ACOUSTIC INSULATION  
N.T.S.



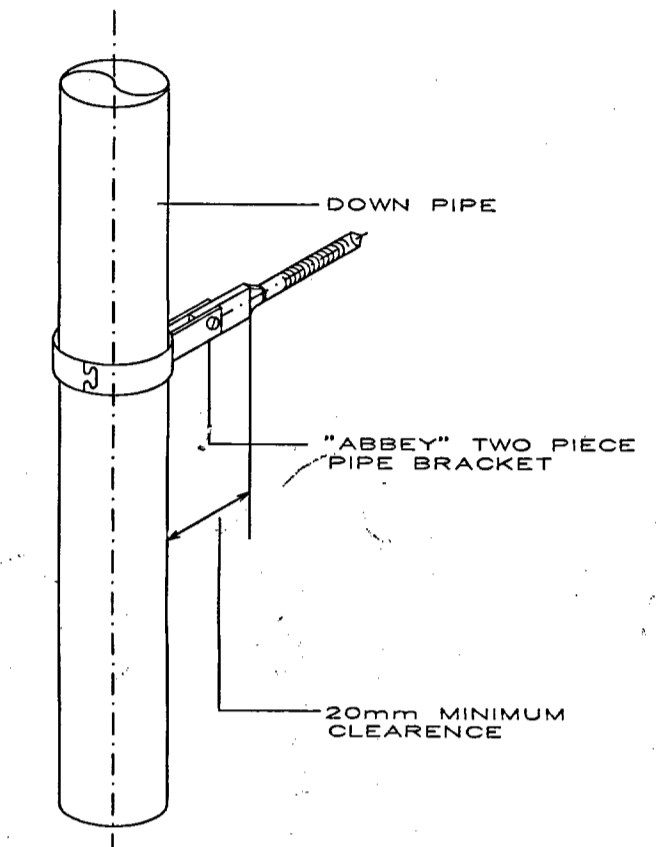
DETAIL - 05  
TYPICAL LAUNDRY TUB & FLOORWASTE  
N.T.S.



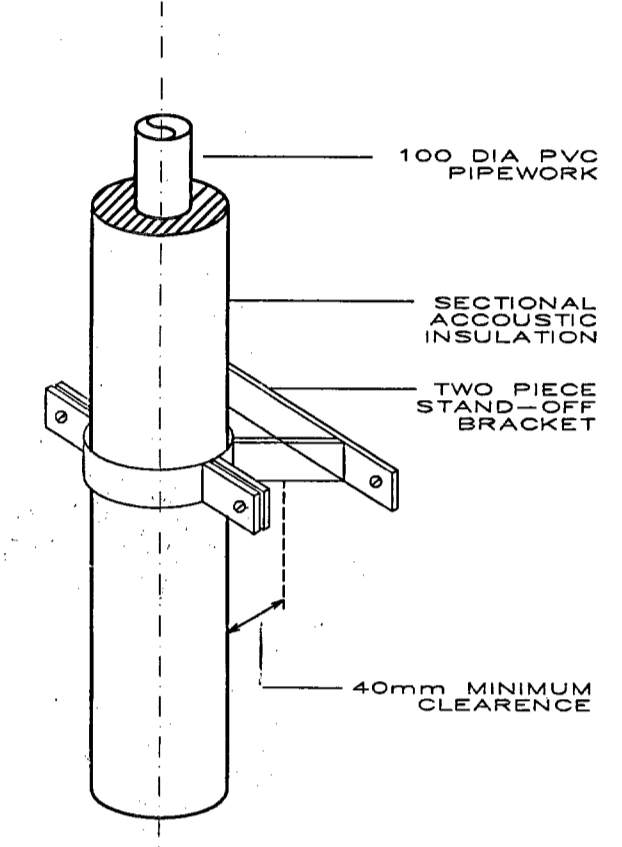
DETAIL - 06  
WATER METER ASSEMBLY  
N.T.S.



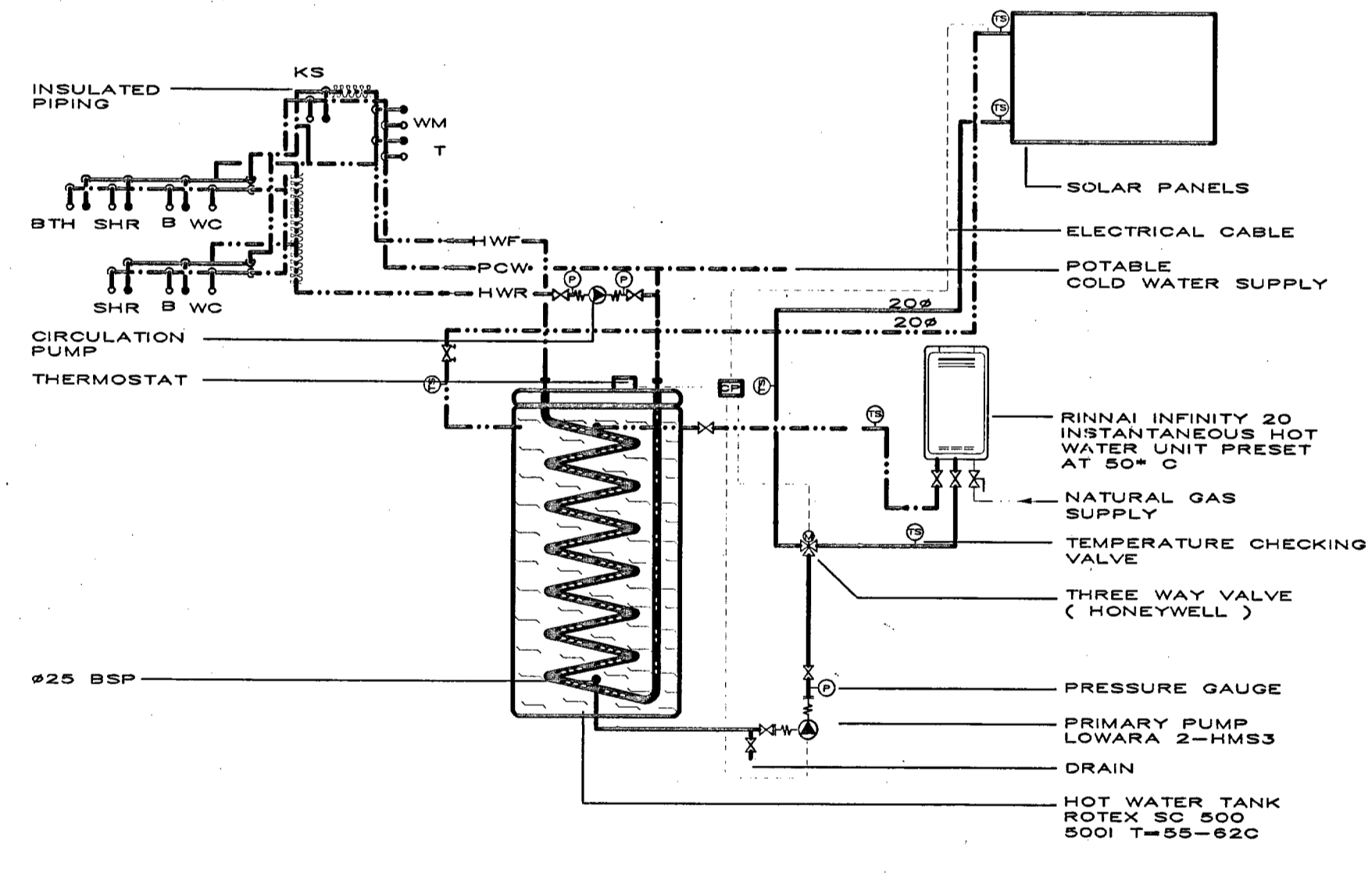
DETAIL - 07  
SURCHARGE GULLY  
N.T.S.



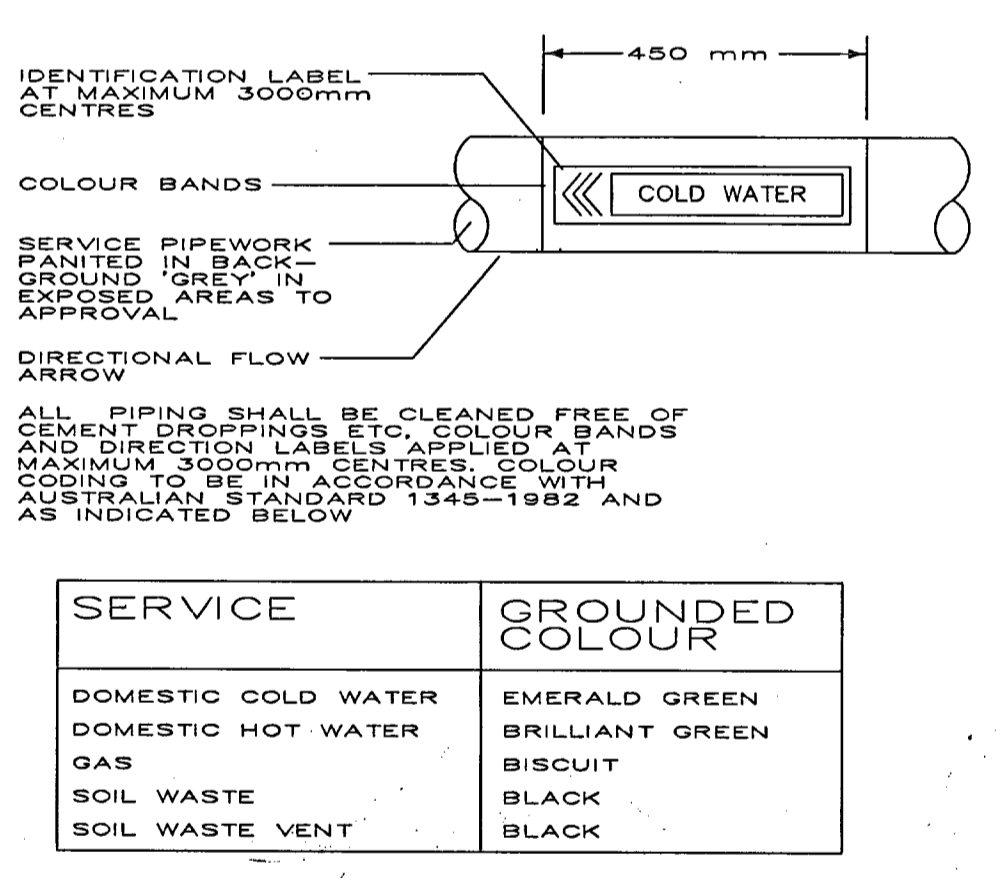
DETAIL - 08  
STANDOFF BRACKET  
N.T.S.



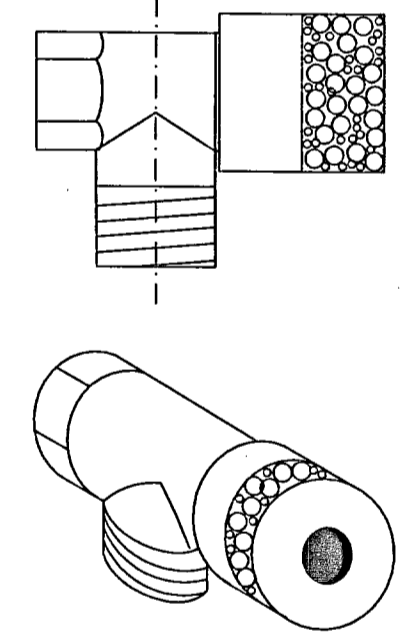
DETAIL - 09  
TYPICAL VERTICAL SANITARY  
PIPEWORK BRACKET  
N.T.S.



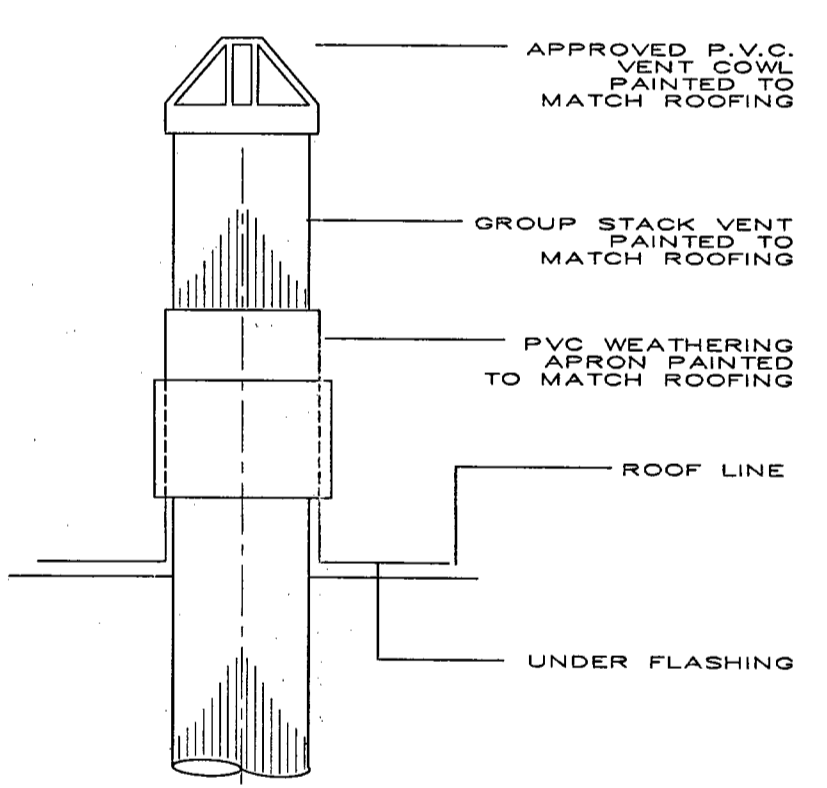
DETAIL - 10  
SOLAR & GAS HOT WATER SYSTEM  
N.T.S.



DETAIL - 11  
PIPING IDENTIFICATION  
N.T.S.



DETAIL - 12  
TYPICAL 'WM' HOSE TAP  
N.T.S.



DETAIL - 13  
TYPICAL VERTICAL TERMINATION  
N.T.S.

REV	ISSUE	BY	CHKD	DATE
A	PRELIMINARY ISSUE	AM	AT	07.06.06

DISCIPLINE	DRG NO.	REV	REASON FOR ISSUE
ARCHITECTURAL	21.04.06		TK QA SYSTEM
STRUCTURAL			PRELIMINARY AUTHORIZATION
LANDSCAPE			BY:
ELECTRICAL			VERIFICATION OF LATEST AMENDMENT
CIVIL	26.05.06		BY:

HYDRAULIC ENGINEERS:  
**thomsonkane**  
Consulting Hydraulic and Fire Engineers  
281 Pacific Highway, North Sydney NSW 2060  
Phone: (02) 9555 0768 Fax: (02) 9554 5932  
Email: k@thomsonkane.com.au  
WWW.THOMSONKANE.COM.AU  
ACN 109 803 549  
THIS DRAWING IS COPYRIGHT ©

ARCHITECTS:  
**Denis Leech Associates P/L**  
350 George Street, Sydney NSW 2000  
Tel: (02) 9997 7288 Fax: (02) 9997 3164

MASTER PLANNING:  
**Wolski, Lyncenko & Brechnock**  
115 Military Road, Neutral Bay NSW 2089  
Tel: (02) 9953 8477 Fax: (02) 9953 8557

ELECTRICAL:  
**WEBB AUSTRALIA**  
37 Ryde Road, Pymble NSW 2073  
Tel: (02) 9418 1444 Fax: (02) 9418 1191

ENVIRONMENTAL:  
**WP Brown & Partners Pty Ltd**  
Level 2, 82 Waterloo Road  
Macquarie Park NSW 2113  
Tel: (02) 9900 1000 Fax: (02) 9900 1099

LANDSCAPE:  
**Place Planning & Design P/L**  
Suite 10, Norberry Terrace, 177 Pacific Hwy  
North Sydney NSW 2060  
Tel: (02) 9959 5021 Fax: (02) 9959 5802

PROJECT:  
**PROPOSED RESIDENTIAL SUBDIVISION 5 WARRIEWOOD VALLEY, WARRIEWOOD NSW**

TITLE: HYDRAULIC SERVICES  
**DETAIL SHEET**

SCALE: 1:100	PROJECT No: 4733-2H	CAD REF: T: TKNEW/
DATE: MAY '06	DRAWING NUMBER: H-08	REVISION: A
DRAWN BY: AT		