

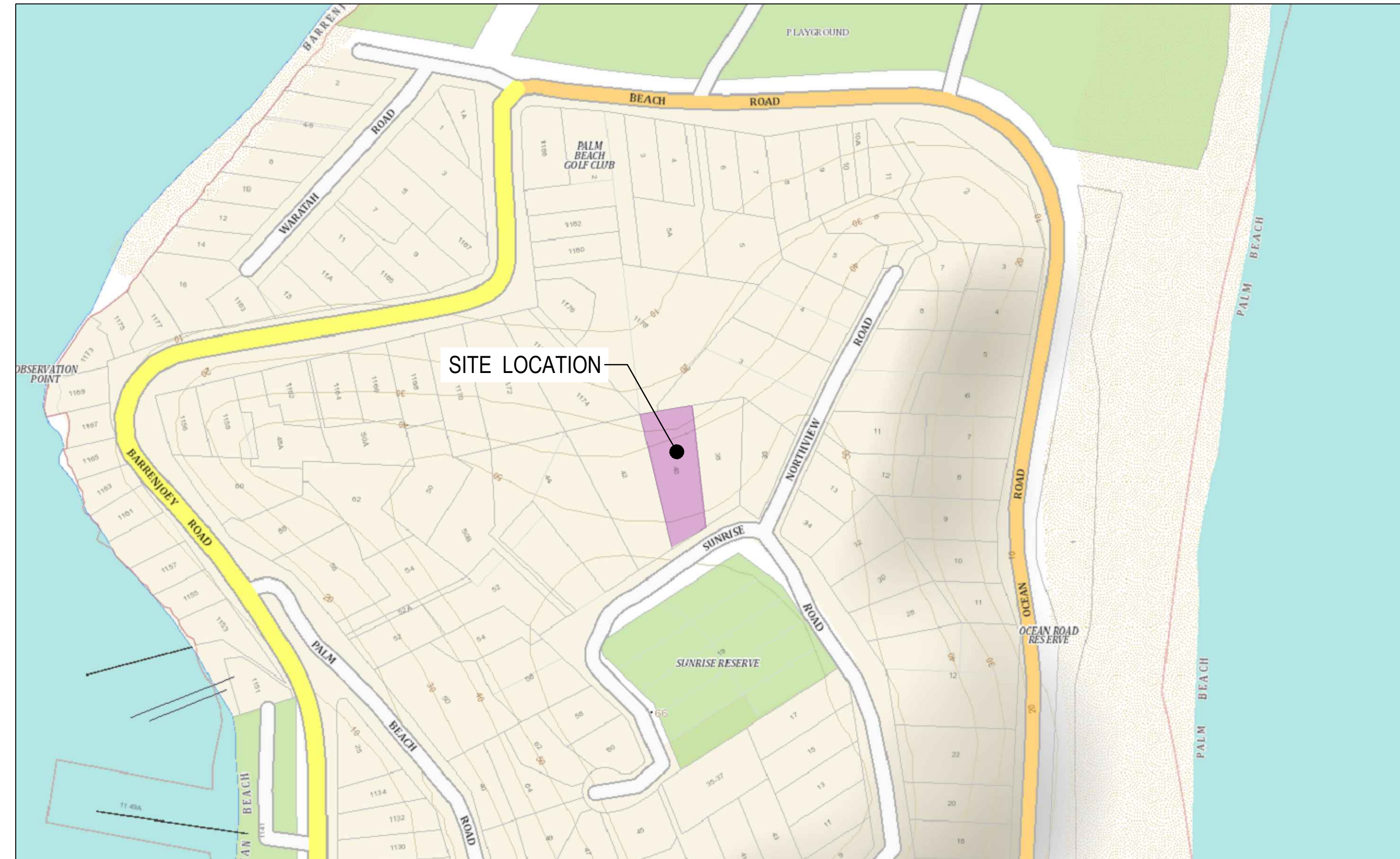
# NEW RESIDENCE

## 40 SUNRISE ROAD, PALM BEACH NSW 2108

### CIVIL SERVICES

CIVIL LEGEND	
• P19.46	PROPOSED FINISH SURFACE LEVEL
• EX19.46	EXISTING SURFACE LEVEL
IL 15.00	PROPOSED INVERT LEVEL
CL 16.60	PROPOSED COVER / LID LEVEL
	STORMWATER PIT
	STORMWATER DRAINAGE LINE WITH SIZE
	ROOFWATER DRAINAGE
	OSD TANK
	RAIN WATER TANK STORAGE
	GRATED DRAIN
○ DP	DOWNPIPE
⊗ RWO	RAINWATER OUTLET

SOIL EROSION AND SEDIMENT CONTROL LEGEND	
	SEDIMENT FENCE
	WRAP INLET GRATE IN FILTER FABRIC. PROVIDE AT ALL EXISTING SURFACE STORMWATER PITS, RAINWATER OUTLETS AND TRENCH DRAINS.
	STABILISED CONSTRUCTION EXIT
	SAND BAG SEDIMENT TRAP



LOCALITY PLAN  
NTS

SIXMAP DATA © 2021

DRAWING LIST	
DWG No.	DESCRIPTION
C1.01	COVER SHEET, LEGENDS AND DRAWING LIST
C1.02	NOTES SHEET
C1.05	DETAILS SHEET 1
C1.06	DETAILS SHEET 2
C1.07	DETAILS SHEET 3
C3.01	STORMWATER MANAGEMENT PLAN
C3.10	EASEMENT PLAN
C5.01	SOIL EROSION AND SEDIMENT CONTROL PLAN

#### DIAL BEFORE YOU DIG



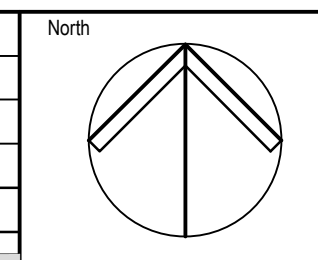
IMPORTANT: THE CONTRACTOR IS TO MAINTAIN A CURRENT SET OF "DIAL BEFORE YOU DIG" DRAWINGS ON SITE AT ALL TIMES.

NOT FOR CONSTRUCTION

© COPYRIGHT of this design and plan is the property of ACOR Consultants Pty Ltd. ACN 079 306 246 ABN 40 079 306 246, all rights reserved. It must not be used, modified, reproduced or copied wholly or in part without written permission from ACOR Consultants Pty Ltd.

This drawing has been assigned an electronic code that signifies the drawing has been checked and approved by: GREG LYELL

Issue	Description	Date	Drawn	Approved
C	RE-ISSUE FOR DA	09.12.21	RP	GL
B	ISSUE FOR DA	07.06.21	IK	GL
A	ISSUE FOR INFORMATION	21.05.21	IK	GL



Client

Architect  
**SUSAN ROTHWELL ARCHITECTS**  
38 SERPENTINE ROAD  
GREENWICH, NSW 2065  
PHONE : 9439 2380 FAX : 9901 3185

**ACOR CONSULTANTS**  
ENGINEERS | MANAGERS | INFRASTRUCTURE PLANNERS | DEVELOPMENT CONSULTANTS

**ACOR Consultants Pty Ltd**  
Suite 2, Level 1, 33 Herbert Street  
St Leonards NSW 2065  
T +61 2 9438 5098

Project  
**NEW RESIDENCE**  
40 SUNRISE ROAD  
PALM BEACH, NSW 2108

Drawing Title COVER SHEET, LEGENDS AND DRAWING LIST					
Drawn	Date	Scale	A1	G.A. Check	Date
DW	Apr-21	N/A		GL	07.06.21
Designed	Project No.	Dwg. No.	Issue		
IK	NSW202638	C1.01	C		



### GENERAL NOTES

- THESE DRAWINGS SHALL BE READ IN CONJUNCTION WITH ALL ARCHITECTURAL AND OTHER CONSULTANTS DRAWINGS AND SPECIFICATIONS AND WITH SUCH OTHER WRITTEN INSTRUCTIONS AS MAY BE ISSUED.
- ALL DIMENSIONS RELEVANT TO SETTING OUT AND OFF-SITE WORK SHALL BE VERIFIED BY THE CONTRACTOR BEFORE CONSTRUCTION
- DIMENSIONS SHALL NOT BE OBTAINED BY SCALING THE DRAWINGS.
- ALL DIMENSIONS ON DETAILS ARE IN MILLIMETRES UNLESS STATED OTHERWISE. ALL PLANS AND LEVELS ARE EXPRESSED IN METRES.
- DURING CONSTRUCTION THE CONTRACTOR SHALL BE RESPONSIBLE FOR MAINTAINING THE STRUCTURAL STABILITY OF THE WORKS AND ENSURE NO PARTS BE OVER STRESSED UNDER CONSTRUCTION ACTIVITIES.
- WORKMANSHIP AND MATERIALS ARE TO BE IN ACCORDANCE WITH THE RELEVANT CURRENT S.A.A. CODES INCLUDING ALL AMENDMENTS, AND THE LOCAL STATUTORY AUTHORITIES, EXCEPT WHERE VARIED BY THE CONTRACT DOCUMENTS.
- THE APPROVAL OF A SUBSTITUTION SHALL BE SOUGHT FROM THE ENGINEER BUT IS NOT AN AUTHORISATION FOR A VARIATION. ANY VARIATIONS INVOLVED MUST BE TAKEN UP WITH THE ARCHITECT OR PROJECT MANAGER BEFORE THE WORK COMMENCES.
- ANY DISCREPANCIES OR OMISSIONS SHALL BE REFERRED TO THE ENGINEER FOR A DECISION BEFORE PROCEEDING WITH THE WORK.
- THE BUILDER SHALL GIVE 48 HOURS NOTICE FOR ALL ENGINEERING INSPECTIONS.
- BUILDING FROM THESE DRAWINGS IS NOT TO COMMENCE UNTIL APPROVED BY THE LOCAL AUTHORITIES
- THE WORD 'ENGINEER' USED IN THESE NOTES REFER TO AN EMPLOYEE OR NOMINATED REPRESENTATIVE OF **ACOR CONSULTANTS PTY.LTD.**

### EXISTING SERVICES AND FEATURES

- THE CONTRACTOR SHALL ALLOW FOR THE CAPPING OFF, EXCAVATION, REMOVAL AND DISPOSAL IF REQUIRED OF ALL EXISTING SERVICES IN AREAS AFFECTED BY WORKS WITHIN THE CONTRACT AREA, AS SHOWN ON THE DRAWINGS UNLESS DIRECTED OTHERWISE BY THE SUPERINTENDENT.
- THE CONTRACTOR SHALL ENSURE THAT AT ALL TIMES SERVICES TO ALL BUILDINGS NOT AFFECTED BY THE WORKS ARE NOT DISRUPTED.
- PRIOR TO COMMENCEMENT OF ANY WORKS THE CONTRACTOR SHALL GAIN WRITTEN APPROVAL OF HIS PROGRAMME FOR THE RELOCATION/CONSTRUCTION OF TEMPORARY SERVICES.
- EXISTING BUILDINGS, EXTERNAL STRUCTURES, AND TREES SHOWN ON THESE DRAWINGS ARE FEATURES EXISTING PRIOR TO ANY DEMOLITION WORKS.
- CONTRACTOR SHALL CONSTRUCT TEMPORARY SERVICES TO MAINTAIN EXISTING SUPPLY TO BUILDINGS REMAINING IN OPERATION DURING WORKS TO THE SATISFACTION AND APPROVAL OF THE SUPERINTENDENT. ONCE DIVERSION IS COMPLETE AND COMMISSIONED THE CONTRACTOR SHALL REMOVE ALL SUCH TEMPORARY SERVICES AND MAKE GOOD TO THE SATISFACTION OF THE SUPERINTENDENT.
- INTERRUPTION TO SUPPLY OF EXISTING SERVICES SHALL BE DONE SO AS NOT TO CAUSE ANY INCONVENIENCE TO THE PRINCIPAL. CONTRACTOR TO GAIN APPROVAL OF SUPERINTENDENT FOR TIME OF INTERRUPTION.

### STORMWATER NOTES

- ALL 225 DIA. DRAINAGE PIPES AND LARGER SHALL BE CLASS '2' APPROVED SPIGOT AND SOCKET FRC OR RCP PIPES WITH RUBBER RING JOINTS. (U.N.O.) ALL DOWNPIPE DRAINAGE LINES SHALL BE SEWER GRADE UPVC WITH SOLVENT WELD JOINTS. (U.N.O.)
- EQUIVALENT STRENGTH REINFORCED CONCRETE PIPES MAY BE USED.
- ALL PIPE JUNCTIONS UP TO AND INCLUDING 450 DIA. AND TAPERS SHALL BE VIA PURPOSE MADE FITTINGS.
- MINIMUM GRADE TO STORMWATER LINES TO BE 1%. (U.N.O.)
- CONTRACTOR TO SUPPLY AND INSTALL ALL FITTINGS AND SPECIALS INCLUDING VARIOUS PIPE ADAPTORS TO ENSURE PROPER CONNECTION BETWEEN DISSIMILAR PIPEWORK.
- ALL CONNECTIONS TO EXISTING DRAINAGE PITS SHALL BE MADE IN A TRADESMAN-LIKE MANNER AND THE INTERNAL WALL OF THE PIT AT THE POINT OF ENTRY SHALL BE CEMENT RENDERED TO ENSURE A SMOOTH FINISH.
- PRECAST PITS SHALL NOT BE USED UNLESS WRITTEN APPROVAL IS OBTAINED FROM THE SUPERINTENDENT.
- WHERE TRENCHES ARE IN ROCK, THE PIPE SHALL BE BEDDED ON A MIN. 50MM CONCRETE BED (OR 75MM THICK BED OF 12MM BLUE METAL) UNDER THE BARREL OF THE PIPE. THE PIPE COLLAR AT NO POINT SHALL BEAR ON THE ROCK. IN OTHER THAN ROCK, PIPES SHALL BE LAID ON A 75MM THICK SAND BED. IN ALL CASES BACKFILL THE TRENCH WITH SAND TO 200MM ABOVE THE PIPE. WHERE THE PIPE IS UNDER PAVEMENTS BACKFILL REMAINDER OF TRENCH WITH SAND OR APPROVED GRANULAR BACKFILL COMPACTED IN 150MM LAYERS TO 98% STANDARD MAX. DRY DENSITY.
- BEDDING SHALL BE (U.N.O.) TYPE H1, IN ACCORDANCE WITH CURRENT RELEVANT AUSTRALIAN STANDARDS.
- WHERE STORMWATER LINES PASS UNDER FLOOR SLABS SEWER GRADE RUBBER RING JOINTS ARE TO BE USED.
- WHERE SUBSOIL DRAINAGE LINES PASS UNDER FLOOR SLABS AND VEHICULAR PAVEMENTS UNSLOTTED UPVC SEWER GRADE PIPE SHALL BE USED.
- PROVIDE 3.0M LENGTH OF 100 DIA. SUBSOIL DRAINAGE PIPE WRAPPED IN FABRIC SOCK, AT UPSTREAM END OF EACH PIT.

### EROSION AND SEDIMENT CONTROL NOTES

#### GENERAL INSTRUCTIONS

- THIS PLAN IS TO BE READ IN CONJUNCTION WITH THE ENGINEERING PLANS, AND ANY OTHER PLANS OR WRITTEN INSTRUCTIONS THAT MAY BE ISSUED AND RELATING TO DEVELOPMENT AT THE SUBJECT SITE.
- THE SITE SUPERINTENDENT WILL ENSURE THAT ALL SOIL AND WATER MANAGEMENT WORKS ARE LOCATED AS INSTRUCTED IN THIS SPECIFICATION.
- ALL BUILDERS AND SUB-CONTRACTORS WILL BE INFORMED OF THEIR RESPONSIBILITIES IN MINIMISING THE POTENTIAL FOR SOIL EROSION AND POLLUTION TO DOWNSLOPE LANDS AND WATERWAYS.

#### CONSTRUCTION SEQUENCE

- THE SOIL EROSION POTENTIAL ON THIS SITE SHALL BE MINIMISED. HENCE WORKS SHALL BE UNDERTAKEN IN THE FOLLOWING SEQUENCE :
  - INSTALL SEDIMENT FENCES, TEMPORARY CONSTRUCTION EXIT AND SANDBAG KERB INLET SEDIMENT TRAP
  - UNDERTAKE SITE DEVELOPMENT WORKS IN ACCORDANCE WITH THE ENGINEERING PLANS. PHASE DEVELOPMENT SO THAT LAND DISTURBANCE IS CONFINED TO AREAS OF WORKABLE SIZE.

#### EROSION CONTROL

- DURING WINDY CONDITIONS, LARGE, UNPROTECTED AREAS WILL BE KEPT MOIST (NOT WET) BY SPRINKLING WITH WATER TO KEEP DUST UNDER CONTROL.
- FINAL SITE LANDSCAPING WILL BE UNDERTAKEN AS SOON AS POSSIBLE AND WITHIN 20 WORKING DAYS FROM COMPLETION OF CONSTRUCTION ACTIVITIES.

#### FENCING

- STOCKPILES WILL NOT BE LOCATED WITHIN 2 METRES OF HAZARD AREAS, INCLUDING LIKELY AREAS OF CONCENTRATED OR HIGH VELOCITY FLOWS SUCH AS WATERWAYS. WHERE THEY ARE BETWEEN 2 AND 5 METRES FROM SUCH AREAS, SPECIAL SEDIMENT CONTROL MEASURES SHOULD BE TAKEN TO MINIMISE POSSIBLE POLLUTION TO DOWNSLOPE WATERS, E.G. THROUGH INSTALLATION OF SEDIMENT FENCING.
- ANY SAND USED IN THE CONCRETE CURING PROCESS (SPREAD OVER THE SURFACE) WILL BE REMOVED AS SOON AS POSSIBLE AND WITHIN 10 WORKING DAYS FROM PLACEMENT.
- WATER WILL BE PREVENTED FROM ENTERING THE PERMANENT DRAINAGE SYSTEM UNLESS IT IS RELATIVELY SEDIMENT FREE, I.E. THE CATCHMENT AREA HAS BEEN PERMANENTLY LANDSCAPED AND/OR ANY LIKELY SEDIMENT HAS BEEN FILTERED THROUGH AN APPROVED STRUCTURE.
- TEMPORARY SOIL AND WATER MANAGEMENT STRUCTURES WILL BE REMOVED ONLY AFTER THE LANDS THEY ARE PROTECTING ARE REHABILITATED.

#### OTHER MATTERS

- ACCEPTABLE RECEPTORS WILL BE PROVIDED FOR CONCRETE AND MORTAR SLURRIES, PAINTS, ACID WASHINGS, LIGHT-WEIGHT WASTE MATERIALS AND LITTER.
- RECEPTORS FOR CONCRETE AND MORTAR SLURRIES, PAINTS, ACID WASHINGS, LIGHT-WEIGHT WASTE MATERIALS AND LITTER ARE TO BE EMPTIED AS NECESSARY. DISPOSAL OF WASTE SHALL BE IN A MANNER APPROVED BY THE SITE SUPERINTENDENT.

#### SITE INSPECTION & MAINTENANCE

- EROSION AND SEDIMENT CONTROL MEASURES SHALL BE INSPECTED AFTER RAINFALL EVENTS TO ENSURE THAT THEY OPERATE EFFECTIVELY. REPAIR AND OR MAINTENANCE SHALL BE UNDERTAKEN AS REQUIRED.

### SITWORKS NOTES

- ORIGIN OF LEVELS :- AUSTRALIAN HEIGHT DATUM (A.H.D.)
- CONTRACTOR MUST VERIFY ALL DIMENSIONS AND EXISTING LEVELS ON SITE PRIOR TO COMMENCEMENT OF WORK.
- ALL WORK IS TO BE UNDERTAKEN IN ACCORDANCE WITH THE DETAILS SHOWN ON THE DRAWINGS, THE SPECIFICATIONS AND THE DIRECTIONS OF THE PRINCIPAL'S REPRESENTATIVE.
- EXISTING SERVICES HAVE BEEN PLOTTED FROM SUPPLIED DATA AND AS SUCH THEIR ACCURACY CANNOT BE GUARANTEED. IT IS THE RESPONSIBILITY OF THE CONTRACTOR TO ESTABLISH THE LOCATION AND LEVEL OF ALL EXISTING SERVICES PRIOR TO THE COMMENCEMENT OF ANY WORK. ANY DISCREPANCIES SHALL BE REPORTED TO THE PRINCIPAL'S REPRESENTATIVE. CLEARANCES SHALL BE OBTAINED FROM THE RELEVANT SERVICE AUTHORITY.
- WHERE NEW WORKS ABOUT EXISTING THE CONTRACTOR SHALL ENSURE THAT A SMOOTH EVEN PROFILE, FREE FROM ABRUPT CHANGES IS OBTAINED.
- THE CONTRACTOR SHALL ARRANGE ALL SURVEY SETOUT TO BE CARRIED OUT BY A REGISTERED SURVEYOR.
- CARE IS TO BE TAKEN WHEN EXCAVATING NEAR EXISTING SERVICES. NO MECHANICAL EXCAVATIONS ARE TO BE UNDERTAKEN OVER COMMUNICATIONS OR ELECTRICAL SERVICES. HAND EXCAVATE IN THESE AREAS.
- ALL SERVICE TRENCHES UNDER VEHICULAR PAVEMENTS SHALL BE BACKFILLED WITH AN APPROVED NON-NATURAL GRANULAR MATERIAL AND COMPACTED TO 98% STANDARD MAXIMUM DRY DENSITY IN ACCORDANCE WITH AS.1289.5.1.1.
- ALL TRENCH BACKFILL MATERIAL SHALL BE COMPACTED TO THE SAME DENSITY AS THE ADJACENT MATERIAL.
- ON COMPLETION OF PIPE INSTALLATION ALL DISTURBED AREAS MUST BE RESTORED TO ORIGINAL, INCLUDING KERBS, FOOTPATHS, CONCRETE AREAS, GRAVEL AND GRASSED AREAS AND ROAD PAVEMENTS.
- PROVIDE 12mm WIDE EXPANDING CORK JOINTS BETWEEN CONCRETE PAVEMENTS AND ALL BUILDINGS, WALLS, FOOTINGS, COLUMNS, KERBS, DISH DRAINS, GRATED DRAINS, BOLLARD FOOTINGS ETC
- CONTRACTOR TO OBTAIN ALL AUTHORITY APPROVALS.
- ALL BATTERS TO BE GRASSED LINED WITH MINIMUM 100 TOPSOIL AND APPROVED COUGH LAID AS TURF.
- MAKE SMOOTH TRANSITION TO EXISTING SERVICES AND MAKE GOOD.
- THE CONTRACTOR SHALL PROVIDE ALL TEMPORARY DIVERSION DRAINS AND MOUNDS TO ENSURE THAT AT ALL TIMES EXPOSED SURFACES ARE FREE DRAINING AND WHERE NECESSARY EXCAVATE SUMPS AND PROVIDE PUMPING EQUIPMENT TO DRAIN EXPOSED AREAS.
- THESE PLANS SHALL BE READ IN CONJUNCTION WITH APPROVED ARCHITECTURAL, STRUCTURAL, HYDRAULIC AND ELECTRICAL DRAWINGS AND SPECIFICATIONS.
- TRENCHES THROUGH EXISTING ROAD AND CONCRETE PAVEMENTS SHALL BE SAWCUT TO FULL DEPTH OF CONCRETE AND A MIN 50mm IN BITUMINOUS PAVING.
- ALL BRANCH GAS AND WATER SERVICES UNDER DRIVEWAYS AND BRICK PAVING SHALL BE LOCATED IN Ø80 uPVC SEWER GRADE CONDUITS EXTENDING A MIN OF 500mm PAST PAVING.
- ON COMPLETION OF WORKS ALL DISTURBED AREAS MUST BE RESTORED TO ORIGINAL INCLUDING, BUT NOT LIMITED TO, KERBS, FOOTPATHS, CONCRETE AREAS, GRASS AND LANDSCAPED AREAS.

© COPYRIGHT of this design and plan is the property of ACOR Consultants Pty Ltd. ACN 079 306 246 ABN 40 079 306 246, all rights reserved. It must not be used, modified, reproduced or copied wholly or in part without written permission from ACOR Consultants Pty Ltd.

This drawing has been assigned an electronic code that signifies the drawing has been checked and approved by: GREG LYELL

Issue	Description	Date	Drawn	Approved
C	RE-ISSUE FOR DA	09.12.21	RP	GL
B	ISSUE FOR DA	07.06.21	IK	GL
A	ISSUE FOR INFORMATION	21.05.21	IK	GL

Issue	Description	Date	Drawn	Approved

Client

Architect

**SUSAN ROTHWELL ARCHITECTS**

38 SERPENTINE ROAD  
GREENWICH, NSW 2065  
PHONE : 9439 2380

FAX : 9901 3185



ENGINEERS | MANAGERS | INFRASTRUCTURE PLANNERS | DEVELOPMENT CONSULTANTS

**ACOR Consultants Pty Ltd**

Suite 2, Level 1, 33 Herbert Street  
St Leonards NSW 2065  
T +61 2 9438 5098



Project

**NEW RESIDENCE**

40 SUNRISE ROAD  
PALM BEACH, NSW 2108

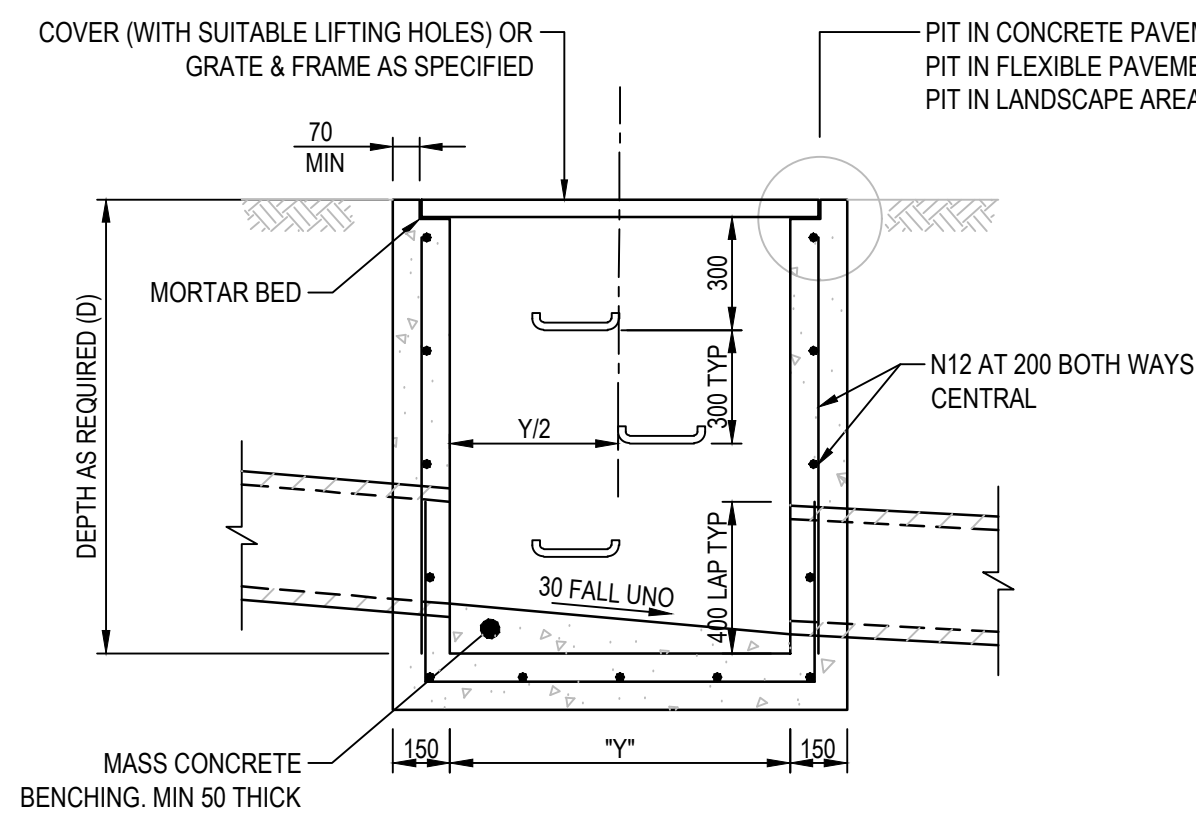
Drawing Title

NOTES SHEET

Drawn	Date	Scale	A1	G.A. Check	Date
DW	Apr-21	N/A		GL	07.06.21
Designed	Project No.	Dwg. No.	Issue		
IK	NSW202638	C1.02	C		

NOT FOR CONSTRUCTION

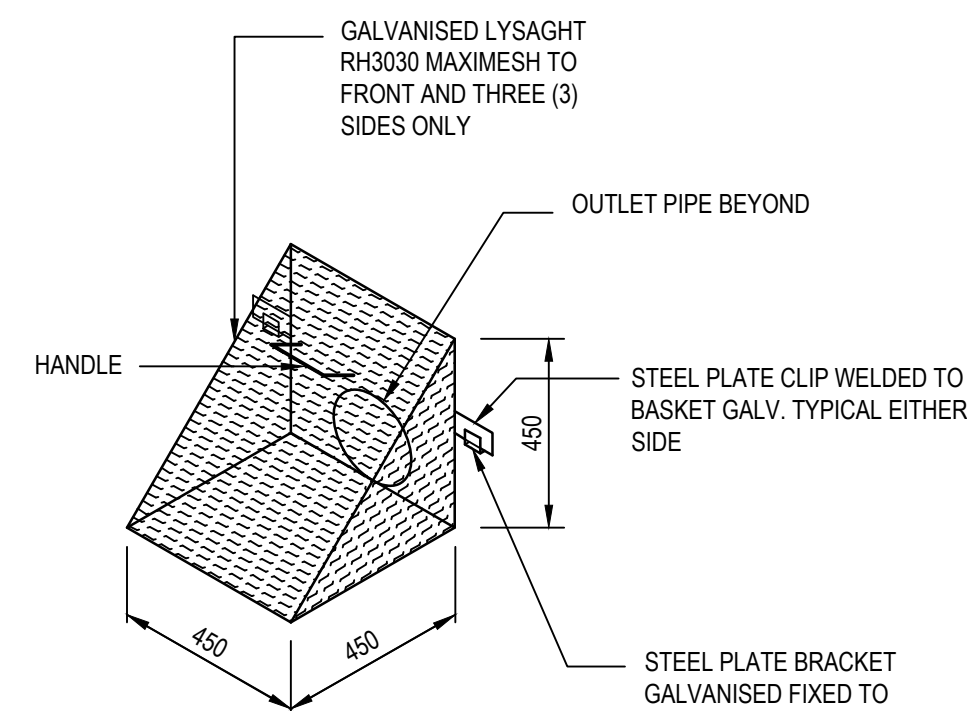
P:\2021\20210623\20210623-16\dwg\20210623-16-01.dwg



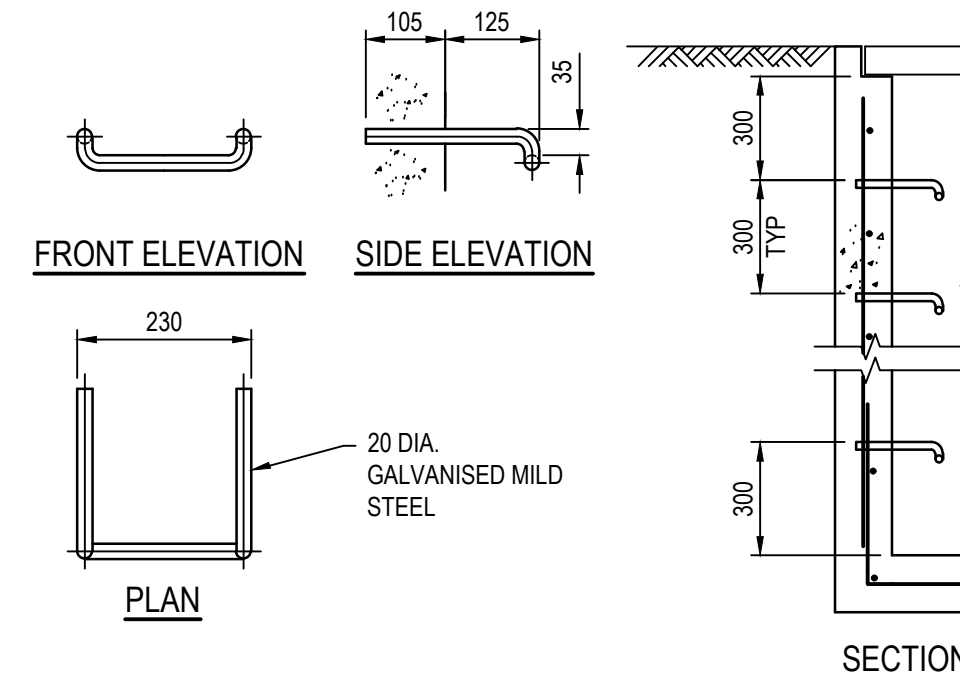
SECTION 1  
SCALE 1:20

MINIMUM INTERNAL PIT DIMENSIONS		
"D"	"X"	"Y"
D < 600	450	450*
D < 900	600	600*
D < 1200	600	900
D > 1200	900	900

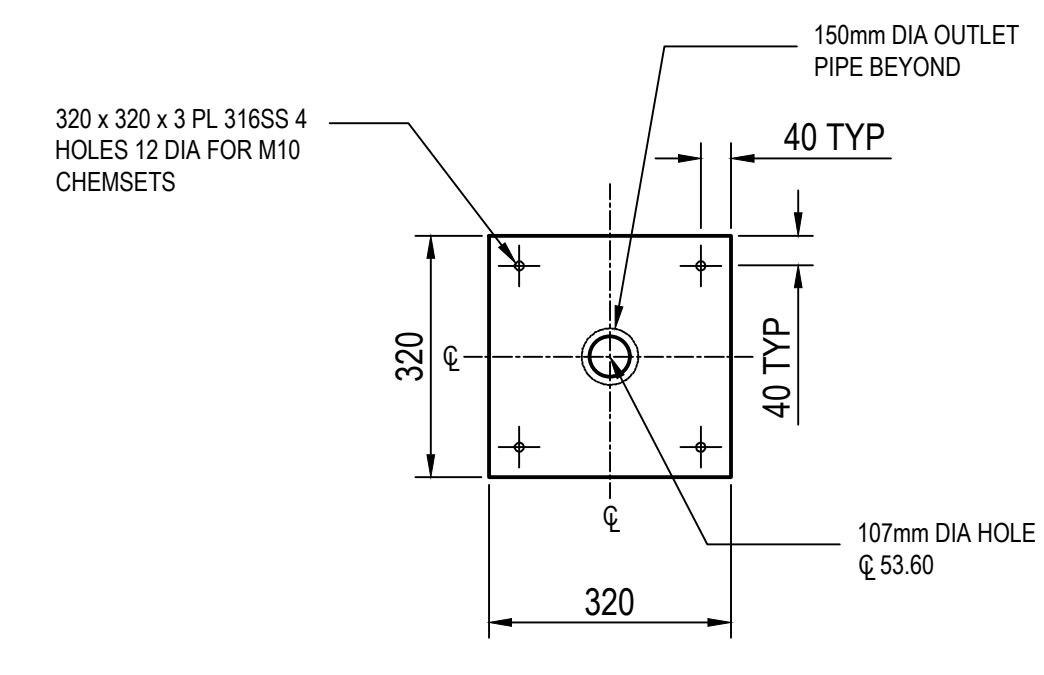
NOTE  
PITS DENOTED \* SHALL BE USED ONLY WHERE SPECIFIED IN DRAINAGE SCHEDULE OR ON PLAN.



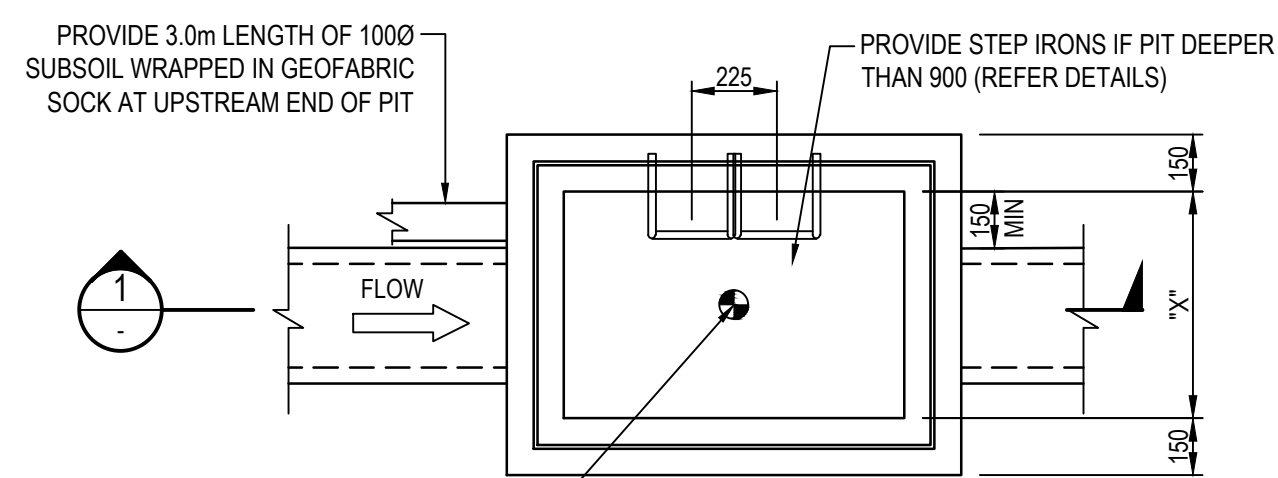
MAXIMESH DETAIL  
N.T.S.



STEP IRON DETAIL  
N.T.S.



ORIFICE PLATE  
SCALE 1:20

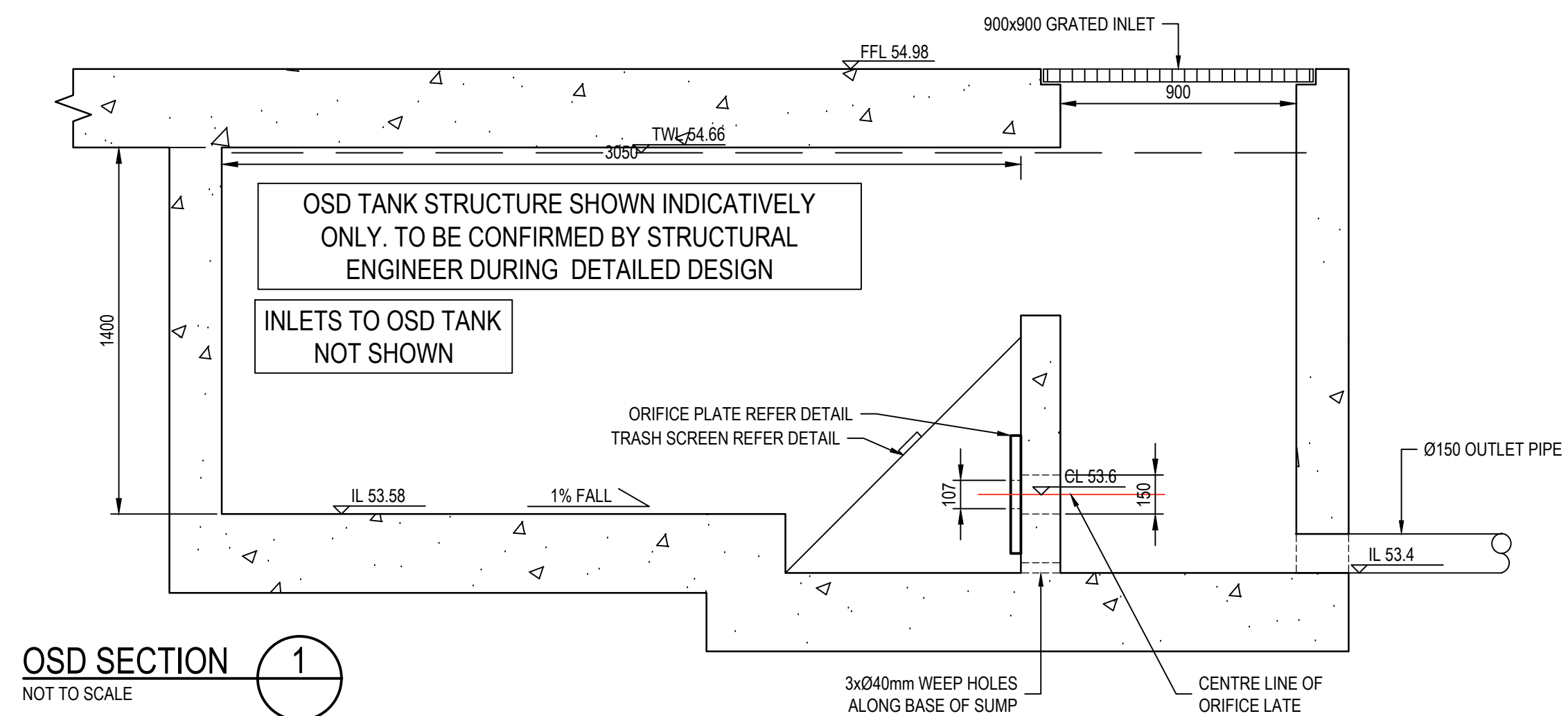


PLAN

SURFACE INLET/JUNCTION PIT  
SCALE 1:20

DESIGN CRITERIA - ON-SITE DETENTION

TOTAL SITE AREA OF DEVELOPMENT WORKS =	1528 m <sup>2</sup>
DESIGN METHOD =	ILSAX
PRE-DEVELOPED IMPERVIOUS AREA =	0m <sup>2</sup> (0%)
POST-DEVELOPED IMPERVIOUS AREA =	480m <sup>2</sup> (31.4%)
PRE DEVELOPED FLOWS (l/s) =	Q <sub>1</sub> = 33 Q <sub>100</sub> = 90
POST DEVELOPED FLOWS -INCLUDING BYPASS (l/s) =	Q <sub>1</sub> = 33 Q <sub>100</sub> = 78
PORTION OF SITE THROUGH OSD SYSTEM =	563m <sup>2</sup>
PORTION OF SITE BYPASSING OSD SYSTEM =	965m <sup>2</sup>
REQUIRED STORAGE VOLUME =	14m <sup>3</sup>
ACTUAL OSD STORAGE VOLUME =	16m <sup>3</sup>



© COPYRIGHT of this design and plan is the property of ACOR Consultants Pty Ltd. ACN 079 306 246 ABN 40 079 306 246, all rights reserved. It must not be used, modified, reproduced or copied wholly or in part without written permission from ACOR Consultants Pty Ltd.

This drawing has been assigned an electronic code that signifies the drawing has been checked and approved by: GREG LYELL

Issue	Description	Date	Drawn	Approved
C	RE-ISSUE FOR DA	09.12.21	RP	GL
B	ISSUE FOR DA	07.06.21	IK	GL
A	ISSUE FOR INFORMATION	21.05.21	IK	GL

Client

Architect

SUSAN ROTHWELL  
ARCHITECTS

38 SERPENTINE ROAD  
GREENWICH, NSW 2065  
PHONE : 9439 2380 FAX : 9901 3185



ACOR Consultants Pty Ltd  
Suite 2, Level 1, 33 Herbert Street  
St Leonards NSW 2065  
T +61 2 9438 5098



Project  
NEW RESIDENCE

40 SUNRISE ROAD  
PALM BEACH, NSW 2108

Drawing Title  
DETAILS  
SHEET 1

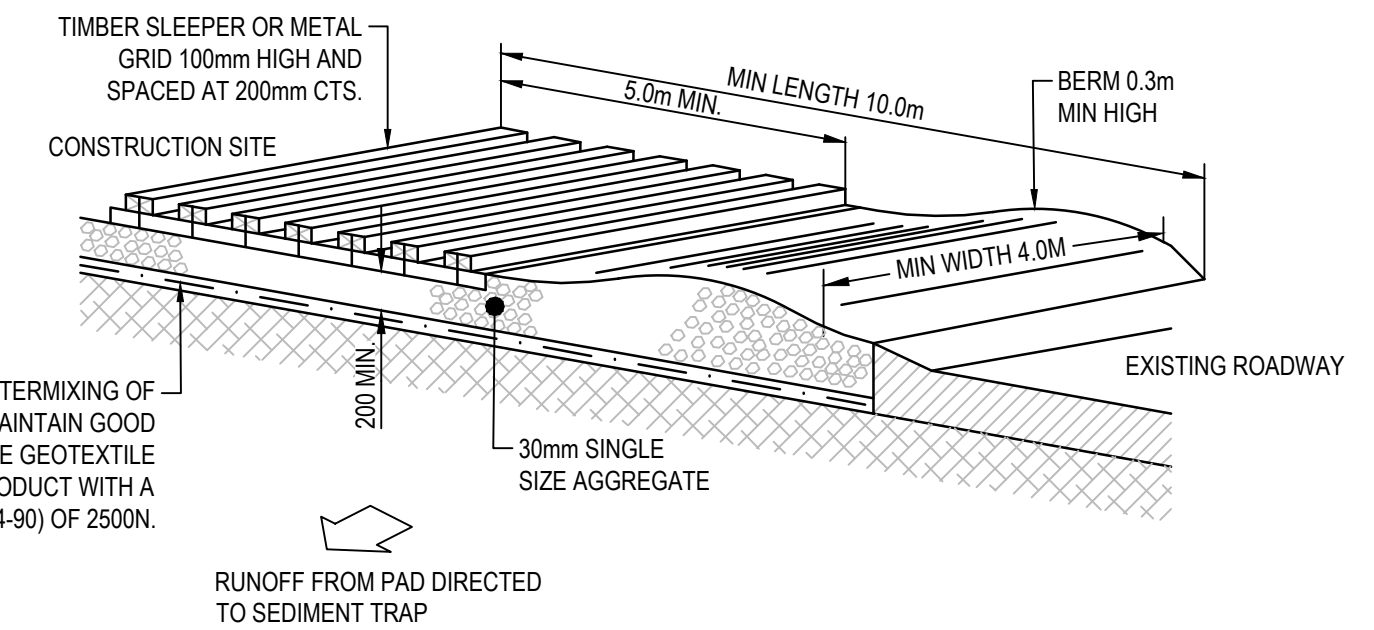
Drawn	Date	Scale	A1	G.A. Check	Date
DW	Apr-21	AS SHOWN	GL	07.06.21	
Designed	Project No.	Dwg. No.	Issue		
IK	NSW202638	C1.05	C		

NOT FOR CONSTRUCTION





**NOTE**  
ENSURE THAT ALL UTILITY ASSETS ARE MAINTAINED AND PROTECTED AT ALL TIMES IN THE VICINITY OF THE TEMPORARY CONSTRUCTION EXIT



GEOTEXTILE FABRIC DESIGNED TO PREVENT INTERMIXING OF SUBGRADE AND BASE MATERIALS AND TO MAINTAIN GOOD PROPERTIES OF THE SUB-BASE LAYERS. THE GEOTEXTILE MAY BE WOVEN OR NEEDLE PUNCHED PRODUCT WITH A MINIMUM CBR BURST STRENGTH (AS3706.4-90) OF 2500N.

**CONSTRUCTION NOTES**

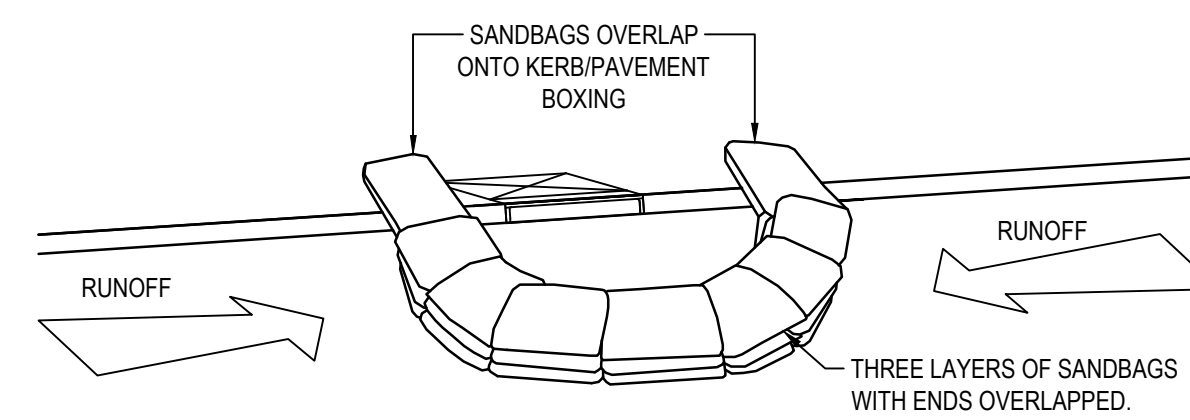
1. STRIP TOPSOIL AND LEVEL SITE.
2. COMPACT SUBGRADE.
3. COVER AREA WITH NEEDLE-PUNCHED GEOTEXTILE.
4. CONSTRUCT 200mm THICK PAD OVER GEOTEXTILE USING 30mm SINGLE SIZE AGGREGATE.
5. CONSTRUCT HUMP IMMEDIATELY WITHIN BOUNDARY TO DIVERT WATER TO A SEDIMENT FENCE OR OTHER SEDIMENT TRAP WHERE THE SEDIMENT IS COLLECTED AND REMOVED.

**MAINTENANCE NOTES**

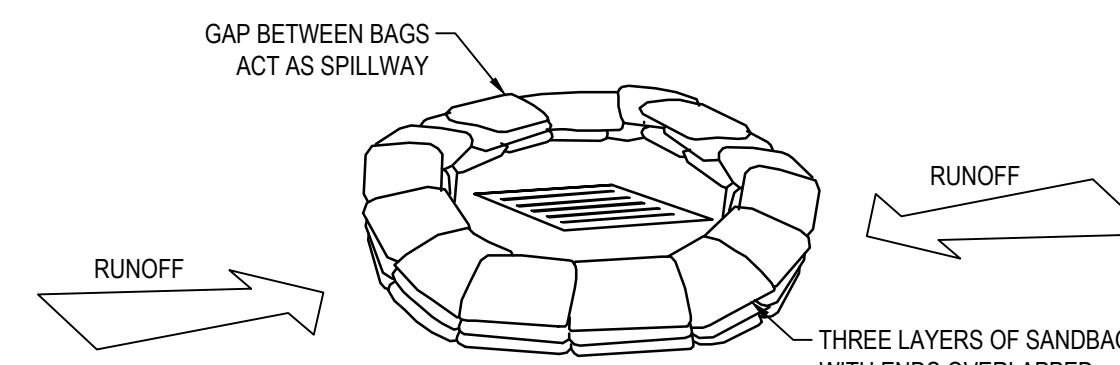
THE EXIT SHALL BE MAINTAINED IN A CONDITION WHICH PREVENTS TRACKING OR FLOWING OF SEDIMENT OFF THE CONSTRUCTION SITE. THIS MAY REQUIRE PERIODIC TOP DRESSING WITH ADDITIONAL GRAVEL AS CONDITIONS DEMAND AND REPAIR AND/OR CLEANOUT OF ANY MEASURES USED TO TRAP SEDIMENT. ALL SEDIMENT SPILLED, DROPPED, WASHED OR TRACKED OFF THE CONSTRUCTION SITE MUST BE REMOVED IMMEDIATELY.

**TEMPORARY STABILISED CONSTRUCTION EXIT**

N.T.S.



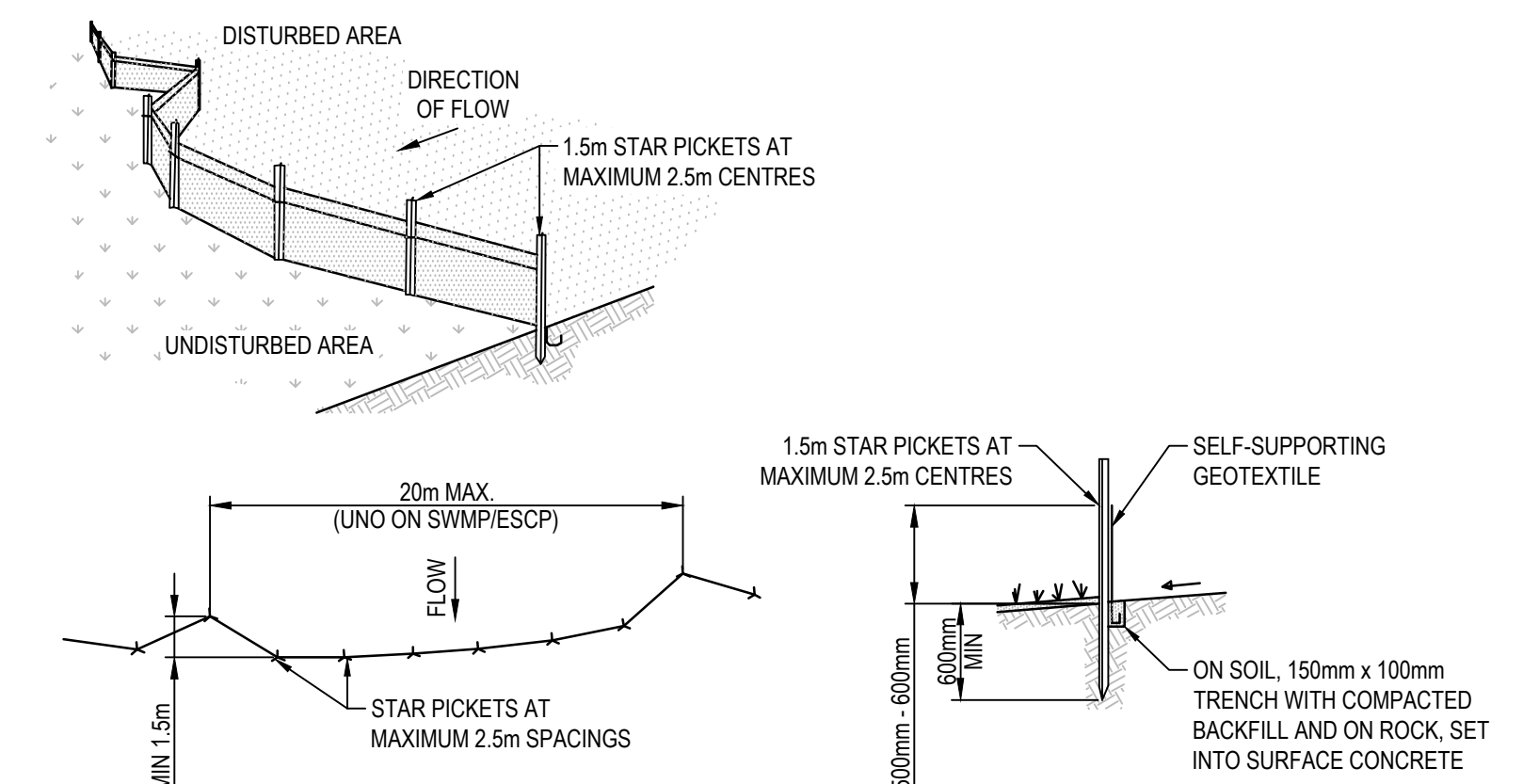
**SANDBAG SEDIMENT TRAP - AT KERB SAG PIT**



**SANDBAG SEDIMENT TRAP - AT OTHER THAN KERB SAG PIT**

**SANDBAG SEDIMENT TRAP DETAILS**

N.T.S.



**PLAN**

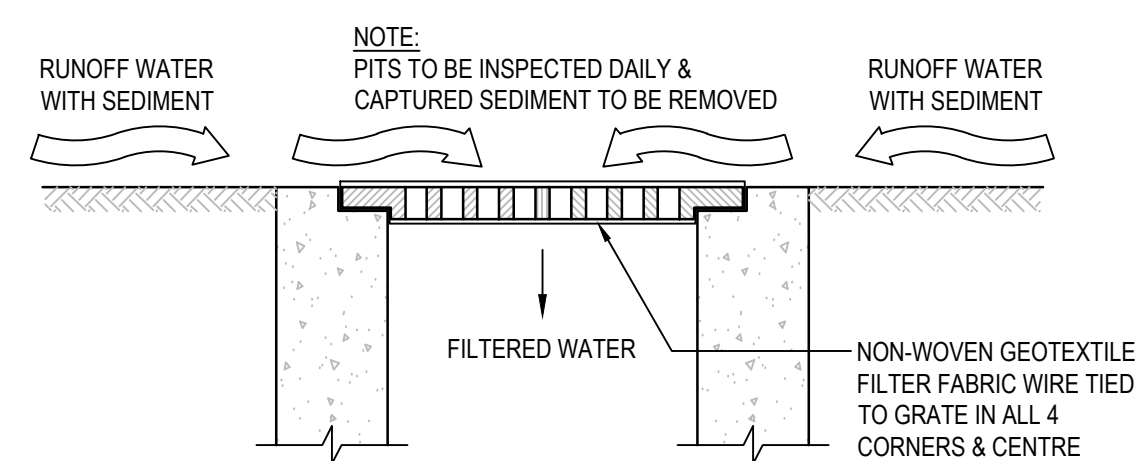
**SECTION DETAIL**

**CONSTRUCTION NOTES**

1. CONSTRUCT SEDIMENT FENCE AS CLOSE AS POSSIBLE TO PARALLEL TO THE CONTOURS OF THE SITE.
2. DRIVE 1.5m LONG STAR PICKETS INTO GROUND, 2.5 METRES APART (MAX). ENSURE STAR PICKETS ARE FITTED WITH SAFETY CAPS.
3. DIG A 150mm DEEP TRENCH ALONG THE UPSLOPE LINE OF THE FENCE FOR THE BOTTOM OF THE FABRIC TO BE ENTRENCHED.
4. BACKFILL TRENCH OVER BASE OF FABRIC.
5. FIX SELF-SUPPORTING GEOTEXTILE TO UPSLOPE SIDE OF POSTS WITH WIRE TIES OR AS RECOMMENDED BY GEOTEXTILE MANUFACTURER.
6. JOIN SECTIONS OF FABRIC AT A SUPPORT POST WITH A 150mm OVERLAP.

**SEDIMENT CONTROL FENCE**

N.T.S.



**INLET TRAP**

N.T.S.

**NOTE**  
TO BE USED IN PAVED AREAS WHERE TRAFFIC ACCESS IS REQUIRED

NOT FOR CONSTRUCTION

© COPYRIGHT of this design and plan is the property of ACOR Consultants Pty Ltd. ACN 079 306 246 ABN 40 079 306 246, all rights reserved. It must not be used, modified, reproduced or copied wholly or in part without written permission from ACOR Consultants Pty Ltd.

This drawing has been assigned an electronic code that signifies the drawing has been checked and approved by: GREG LYELL

Issue	Description	Date	Drawn	Approved
C	RE-ISSUE FOR DA	09.12.21	RP	GL
B	ISSUE FOR DA	07.06.21	IK	GL
A	ISSUE FOR INFORMATION	21.05.21	IK	GL

North
-------

Client

Architect  
**SUSAN ROTHWELL ARCHITECTS**  
38 SERPENTINE ROAD  
GREENWICH, NSW 2065  
PHONE : 9439 2380 FAX : 9901 3185

**ACOR CONSULTANTS**  
ENGINEERS | MANAGERS | INFRASTRUCTURE PLANNERS | DEVELOPMENT CONSULTANTS

**ACOR Consultants Pty Ltd**  
Suite 2, Level 1, 33 Herbert Street  
St Leonards NSW 2065  
T +61 2 9438 5098

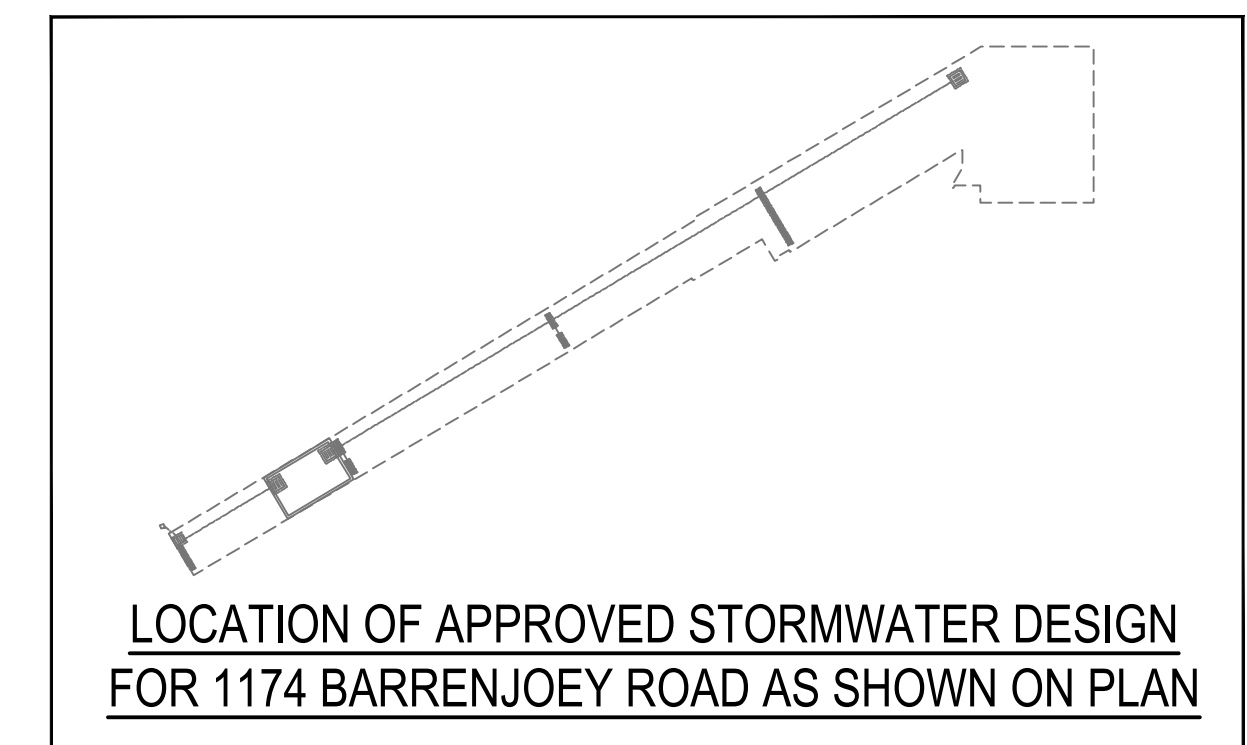
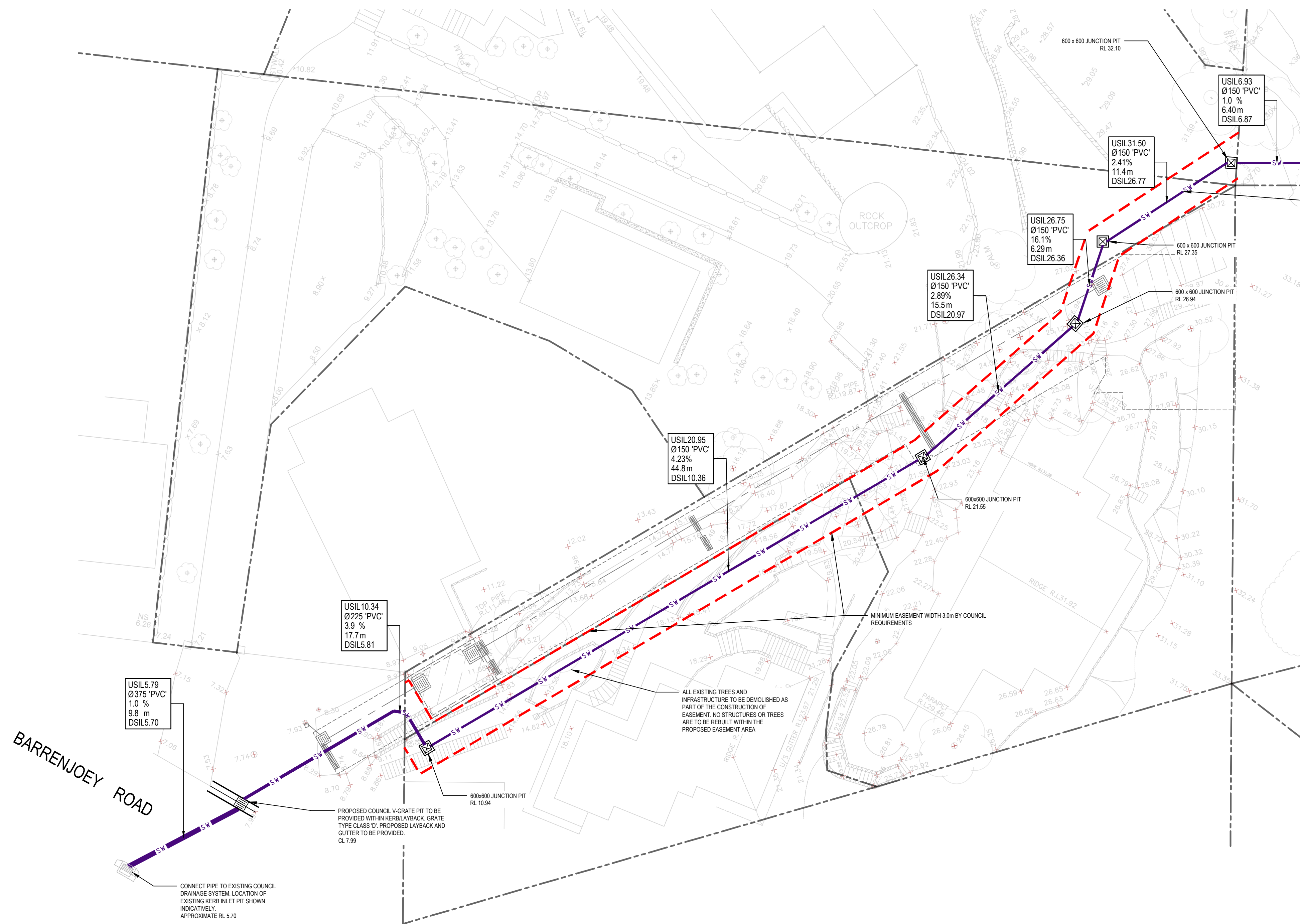
Project  
**NEW RESIDENCE**  
40 SUNRISE ROAD  
PALM BEACH, NSW 2108

Drawing Title <b>DETAILS SHEET 3</b>				
Drawn DW	Date Apr-21	Scale AS SHOWN	G.A. Check GL	Date 07.06.21
Designed IK	Project No. <b>NSW202638</b>	Dwg. No. C1.07	Issue C	





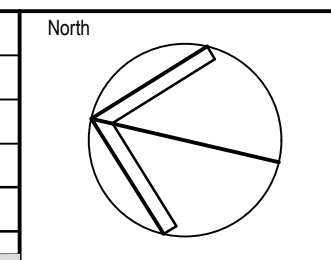




© COPYRIGHT of this design and plan is the property of ACOR Consultants Pty Ltd. ACN 079 306 246 ABN 40 079 306 246, all rights reserved. It must not be used, modified, reproduced or copied wholly or in part without written permission from ACOR Consultants Pty Ltd.

This drawing has been assigned an electronic code that signifies the drawing has been checked and approved by: GREG LYELL

Issue	Description	Date	Drawn	Approved
C	RE-ISSUE FOR DA	09.12.21	RP	GL
B	ISSUE FOR DA	07.06.21	IK	GL
A	ISSUE FOR INFORMATION	21.05.21	IK	GL



Client  
 Architect  
**SUSAN ROTHWELL ARCHITECTS**  
 38 SERPENTINE ROAD  
 GREENWICH, NSW 2065  
 PHONE : 9439 2380 FAX : 9901 3185

Architect  
**SUSAN ROTHWELL ARCHITECTS**  
 38 SERPENTINE ROAD  
 GREENWICH, NSW 2065  
 PHONE : 9439 2380 FAX : 9901 3185

ACOR Consultants Pty Ltd  
 Suite 2, Level 1, 33 Herbert Street  
 St Leonards NSW 2065  
 T +61 2 9438 5098

ENGINEERS | MANAGERS | INFRASTRUCTURE PLANNERS | DEVELOPMENT CONSULTANTS

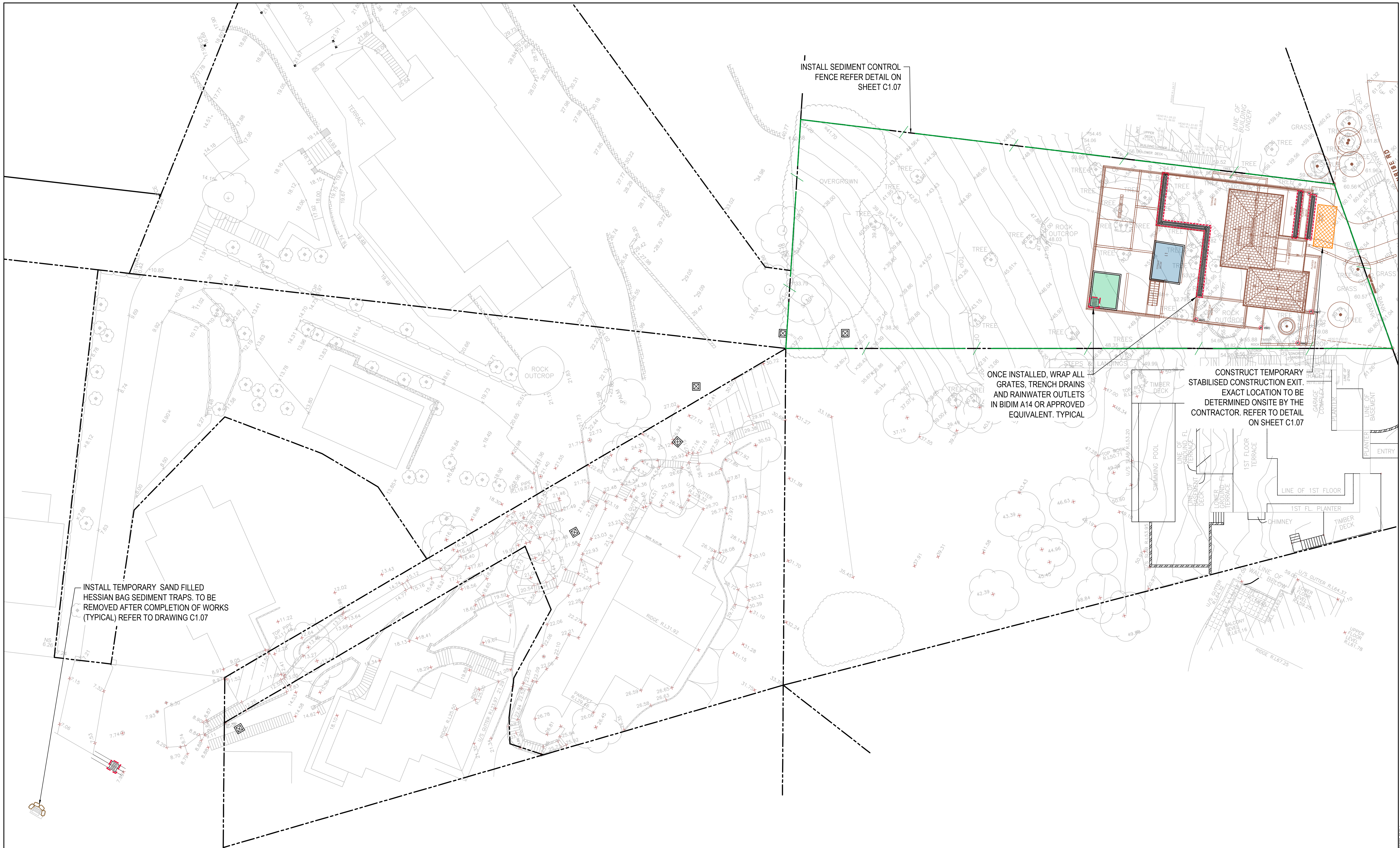
Project  
**NEW RESIDENCE**  
 40 SUNRISE ROAD  
 PALM BEACH, NSW 2108

Drawing Title		EASEMENT PLAN	
Drawn	Date	Scale	A1
DW	Apr-21	1:200	GL
Designed	Project No.	Dwg. No.	Issue
IK	NSW202638	C3.10	C

NOT FOR CONSTRUCTION

P:\2021\2021\_06\_21\_1431.dwg

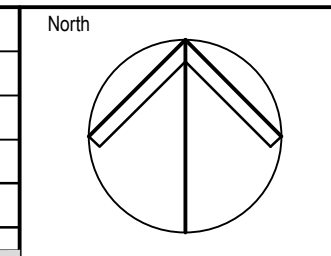




© COPYRIGHT of this design and plan is the property of ACOR Consultants Pty Ltd. ACN 079 306 246 ABN 40 079 306 246, all rights reserved. It must not be used, modified, reproduced or copied wholly or in part without written permission from ACOR Consultants Pty Ltd.

This drawing has been assigned an electronic code that signifies the drawing has been checked and approved by: GREG LYELL

Issue	Description	Date	Drawn	Approved
C	RE-ISSUE FOR DA	09.12.21	RP	GL
B	ISSUE FOR DA	07.06.21	IK	GL
A	ISSUE FOR INFORMATION	21.05.21	IK	GL



Client  
Architect

**SUSAN ROTHWELL ARCHITECTS**  
38 SERPENTINE ROAD  
GREENWICH, NSW 2065  
PHONE : 9439 2380 FAX : 9901 3185

**ACOR CONSULTANTS**  
ENGINEERS | MANAGERS | INFRASTRUCTURE PLANNERS | DEVELOPMENT CONSULTANTS

**ACOR Consultants Pty Ltd**  
Suite 2, Level 1, 33 Herbert Street  
St Leonards NSW 2065  
T +61 2 9438 5098

Project  
**NEW RESIDENCE**  
40 SUNRISE ROAD  
PALM BEACH, NSW 2108

Drawing Title SOIL EROSION AND SEDIMENT CONTROL PLAN					
Drawn DW	Date Apr-21	Scale 1:200	A1	G.A. Check GL	Date 07.06.21
Designed IK	Project No. NSW202638	Dwg. No. C5.01	Issue C		

NOT FOR CONSTRUCTION