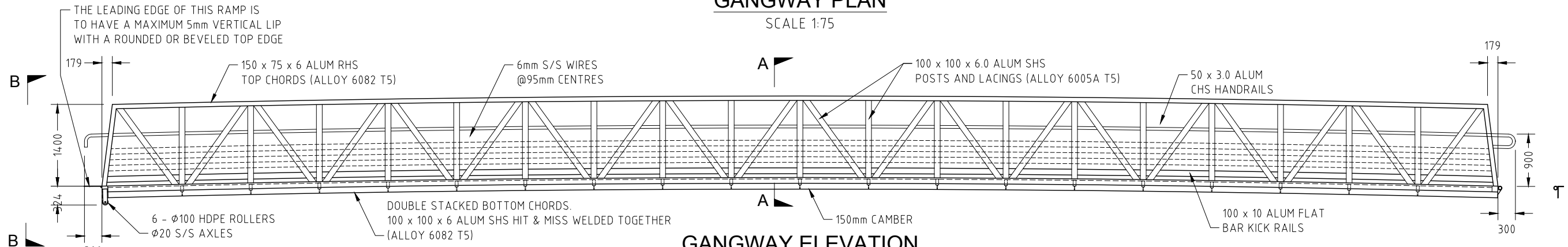


GANGWAY PLAN

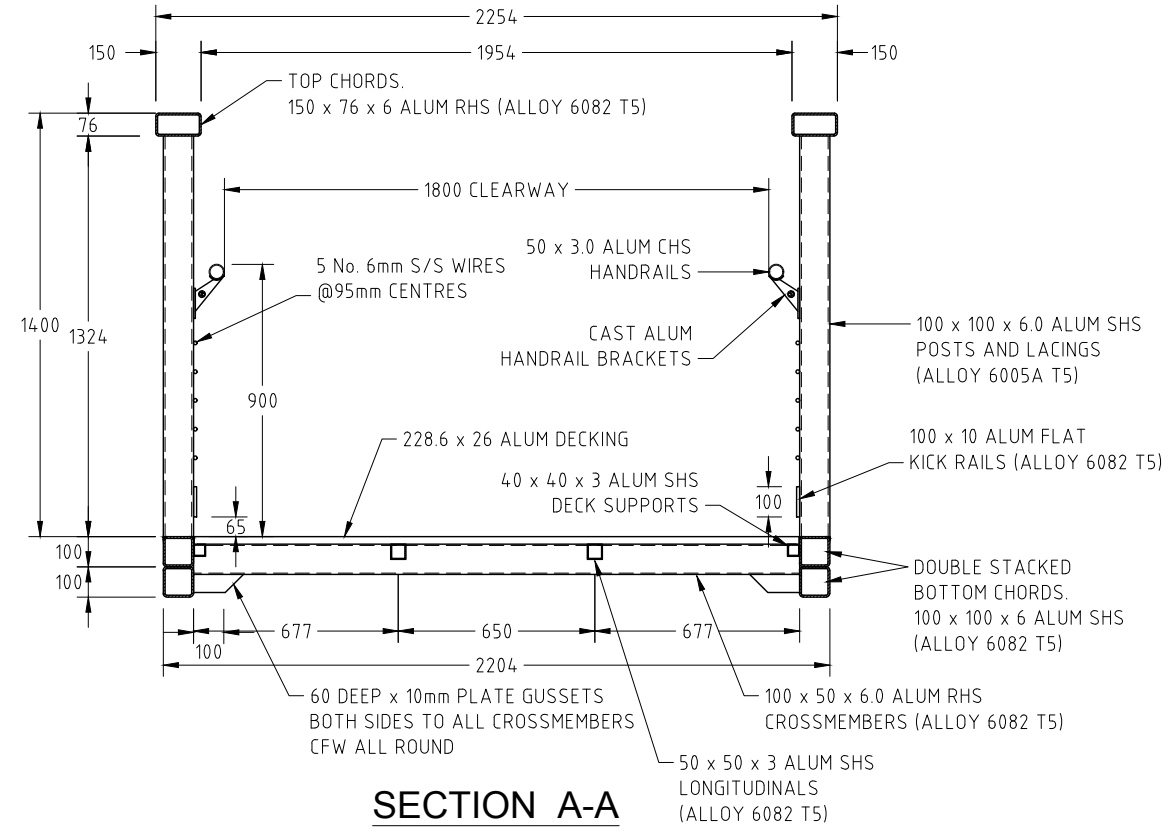
SCALE 1:75



GANGWAY ELEVATION

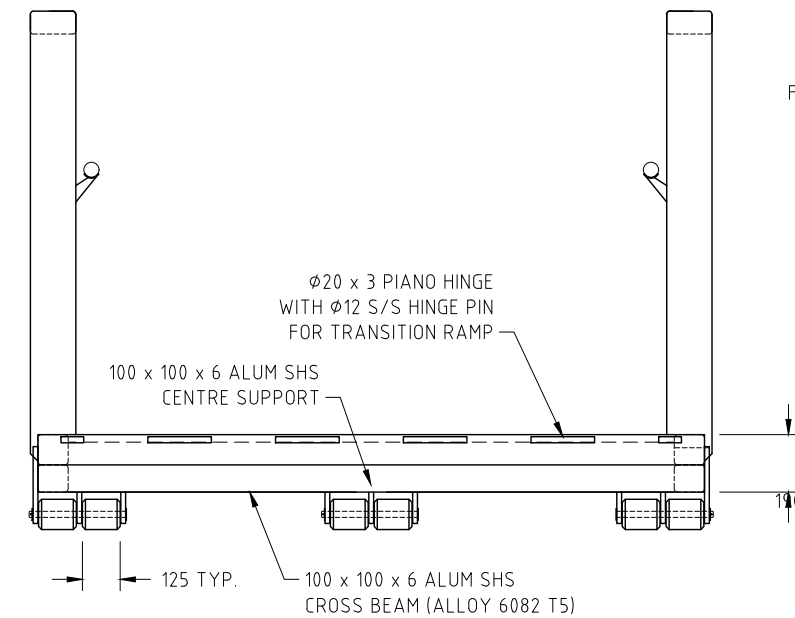
SCALE 1:75

NOTE:
LOAD SPREADERS ARE REQUIRED FOR ALL LOADS > 300kg
TO SHARE LOAD OVER MINIMUM OF TWO JOISTS



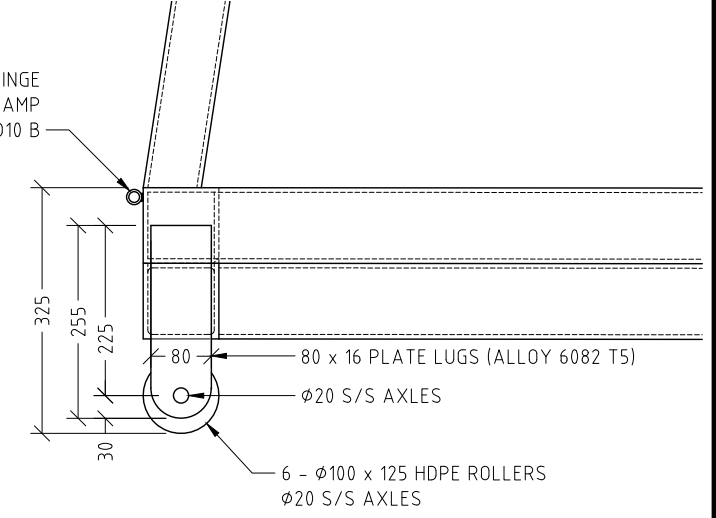
SECTION A-A

SCALE 1:25



VIEW B-B

SCALE 1:25



DETAIL 1

SCALE 1:10

No.	DATE	REVISION	DRAWN BY

ATLAS MARINE INTERNATIONAL
TRADING AS
SUPERIOR JETTIES

COPYRIGHT © 2016
ATLAS MARINE INTERNATIONAL PTY. LTD.
NO PART OF THIS DOCUMENT MAY BE COPIED,
REPRODUCED, STORED IN A RETRIEVABLE SYSTEM
IN ANY FORM, OR TRANSMITTED BY ANY MEANS
WITHOUT PRIOR WRITTEN PERMISSION OF
ATLAS MARINE INTERNATIONAL PTY. LTD.

SUPERIOR®

Mail Address: P.O. Box 920 Nerang 4211

Ph: (07) 5594 8200
Fax: (07) 5594 8222
Email: info@superiorjetties.com

DATE
27/06/16

DRAWING NO.
OPP-7835-TG-1

REVISION NO.

PROJECT
PROPOSED MARINA

DRG. TITLE
TYPICAL ALUMINIUM GANGWAY (DISABLED ACCESS)

CLIENT
MICHAEL JARVIN

ADDRESS
**NEWPORT ARMS HOTEL
PITWATER**

DRAWN BY
D.G.G.

DESIGNED
M.W.

CHECKED BY

PAPER SIZE
A3

SCALE
AS NOTED

INDICATIVE ONLY

**SUBJECT TO
ENGINEERS FINAL
SPECIFICATIONS
AND APPROVAL**