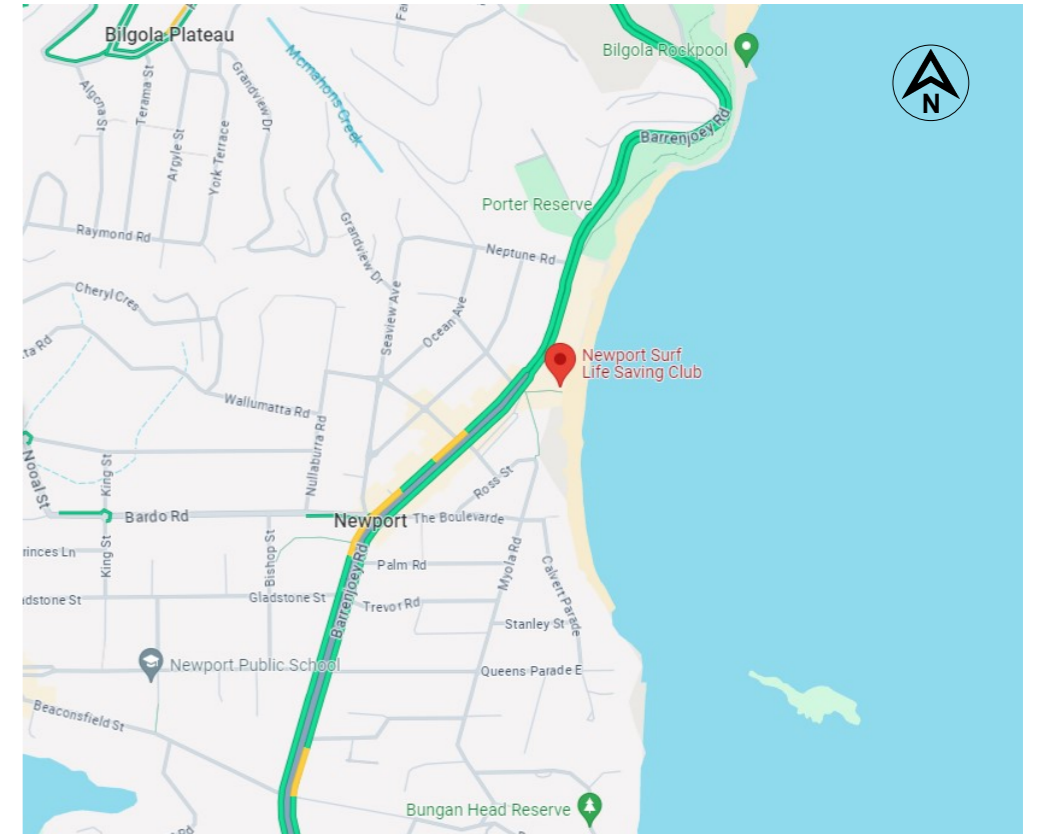


NEWPORT SLSC REDEVELOPMENT - COASTAL PROTECTION WORKS FOR NORTHERN BEACHES COUNCIL



NEWPORT SLSC AERIAL IMAGE



LOCALITY PLAN

DRAWING SHEET SCHEDULE	
DRAWING NUMBER	DRAWING TITLE
PA2407-RHD-00-105-DR-MA-0001	TITLE SHEET, LOCALITY PLAN & DRAWING LIST
PA2407-RHD-00-105-DR-MA-0011	GENERAL ARRANGEMENT PLAN
PA2407-RHD-00-105-DR-MA-0021	GENERAL ARRANGEMENT DETAILS

NOTES:

1. ALL LEVELS ARE IN METRES RELATIVE TO AUSTRALIAN HEIGHT DATUM (AHD) AND ALL DIMENSIONS ARE IN MILLIMETRES UNLESS NOTED OTHERWISE.
2. ALL PILING AND CONCRETE STRUCTURES SHALL BE IN ACCORDANCE WITH THE RELEVANT AUSTRALIAN STANDARDS.

S3 REVIEW & COMMENT

NOT FOR CONSTRUCTION

REV#	DATE	DESCRIPTION	SH	SC	GB
P01	30.07.2024	DRAFT FOR COMMENT			

REV#	DATE	DESCRIPTION	SH	SC	GB

CLIENT



PROJECT
NEWPORT SLSC REDEVELOPMENT - COASTAL PROTECTION WORKS

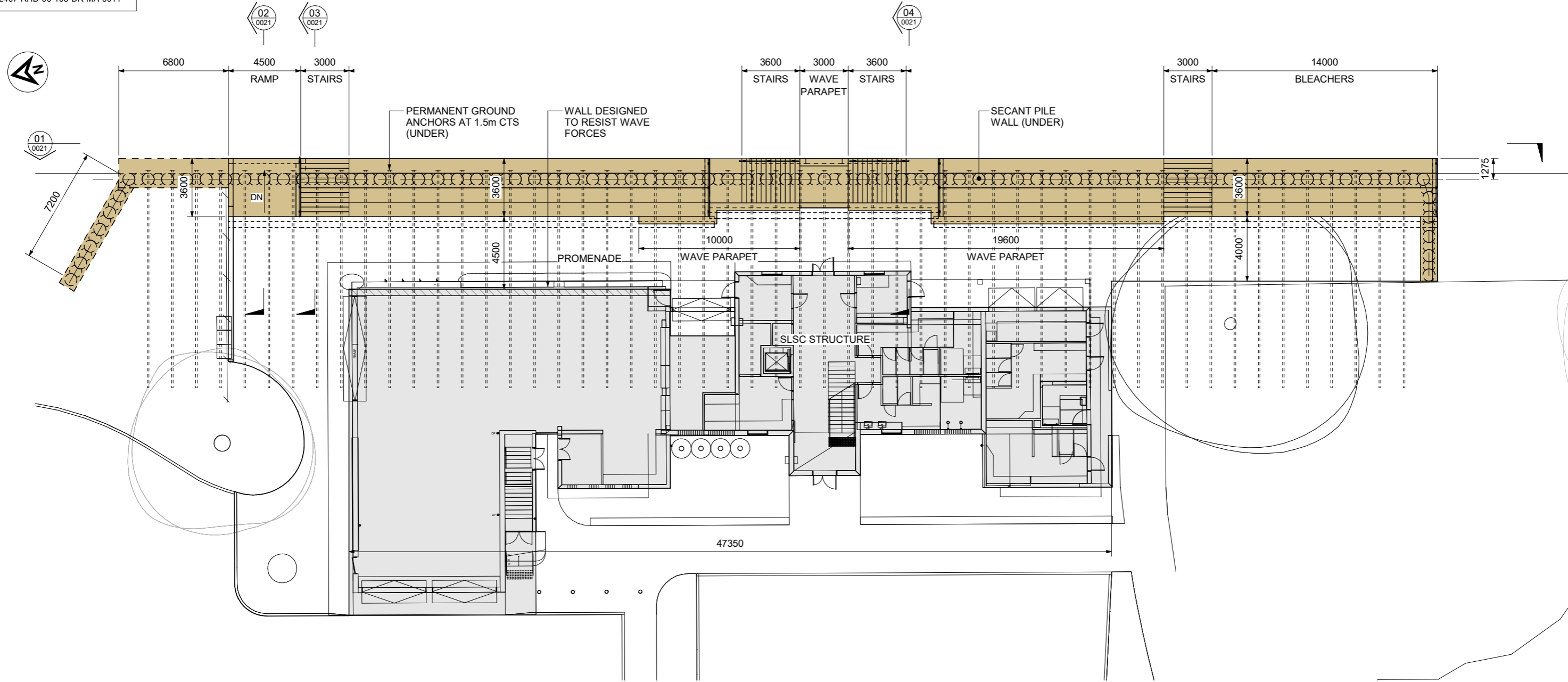
TITLE
TITLE SHEET, LOCALITY PLAN & DRAWING LIST



DRAWN	SC	CHECKED	GB	APPROVED	GB

DATE	SCALE	REF.	SUITABILITY	REVISION
30.07.2024	AT A1	1 : 1	S3	P01

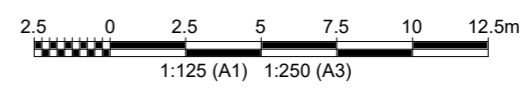
DRAWING No.	SUITABILITY	REVISION
PA2407-RHD-00-105-DR-MA-0001	S3	P01



GENERAL ARRANGEMENT PLAN
1 : 125(A1)

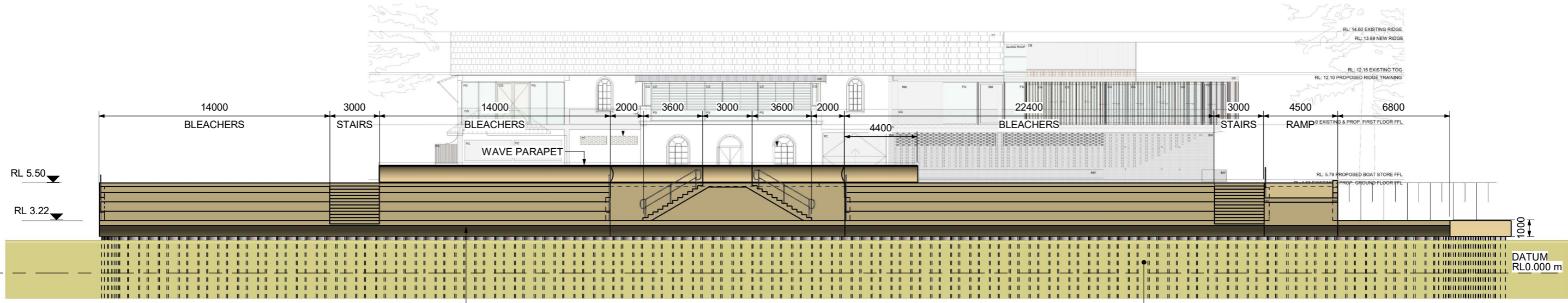
- NOTES:**
1. ALL LEVELS ARE IN METRES RELATIVE TO AUSTRALIAN HEIGHT DATUM (AHD) AND ALL DIMENSIONS ARE IN MILLIMETRES UNLESS NOTED OTHERWISE.
 2. CONCEPT DESIGN - SUBJECT TO DETAILED DESIGN.
 3. ALTERNATIVE PILING TYPES MAY BE SUBMITTED, SUCH AS CONTIGUOUS PILES COMBINED WITH PILE PLUGS.

S3 REVIEW & COMMENT
NOT FOR CONSTRUCTION

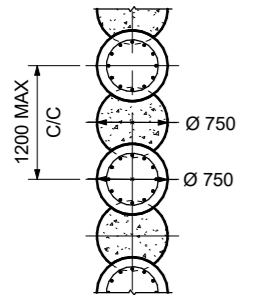


REV	DATE	DESCRIPTION	BY	CHK	APP
P01	30.07.2024	DRAFT FOR COMMENT	SH	SC	GB
REVISIONS					
CLIENT					
		northern beaches council			
PROJECT					
NEWPORT SLSC REDEVELOPMENT - COASTAL PROTECTION WORKS					
TITLE					
GENERAL ARRANGEMENT PLAN					
DRAWN					
SC	CHECKED	GB	APPROVED	GB	
DATE	30.07.2024	SCALE	As indicated	REF:	
DRAWING No.	PA2407-RHD-00-105-DR-MA-0011	SUITABILITY	S3	REVISION	P01

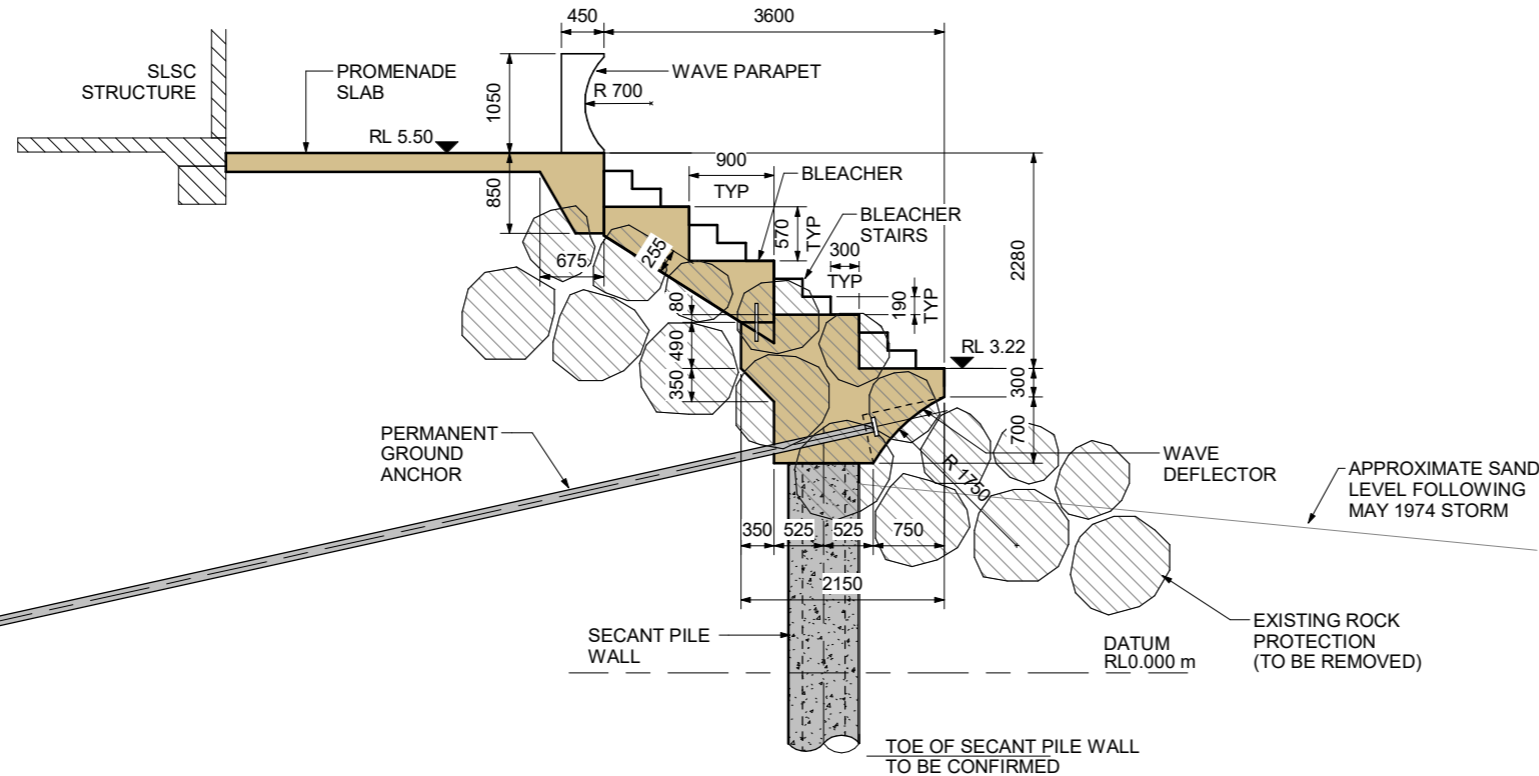

Royal HaskoningDHV
 Enhancing Society Together
Level 15, 99 Mount Street, North Sydney NSW 2060, Australia. Tel +61 2 8854 5000. Email info@rhdhv.com. Website: www.royalhaskoningdhv.com



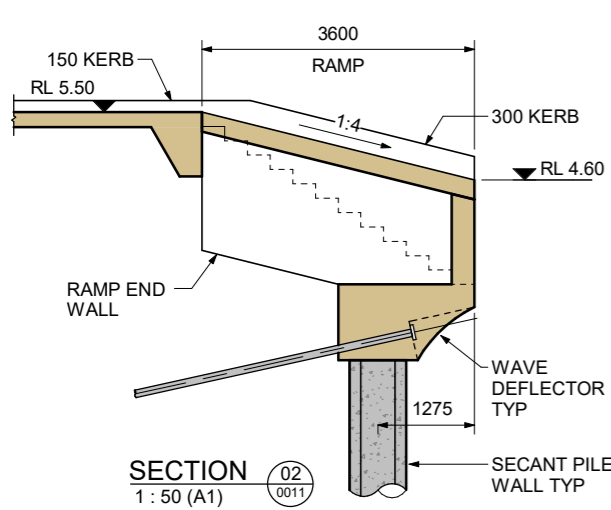
VIEW 01
1:125 (A1)



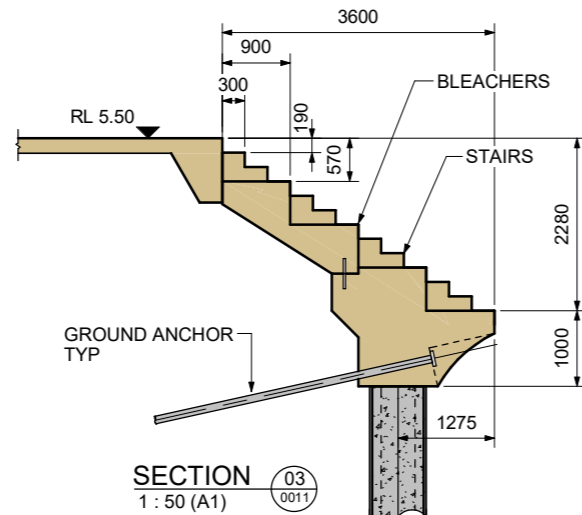
SECANT PILE WALL SECTIONAL PLAN
1:25 (A1)



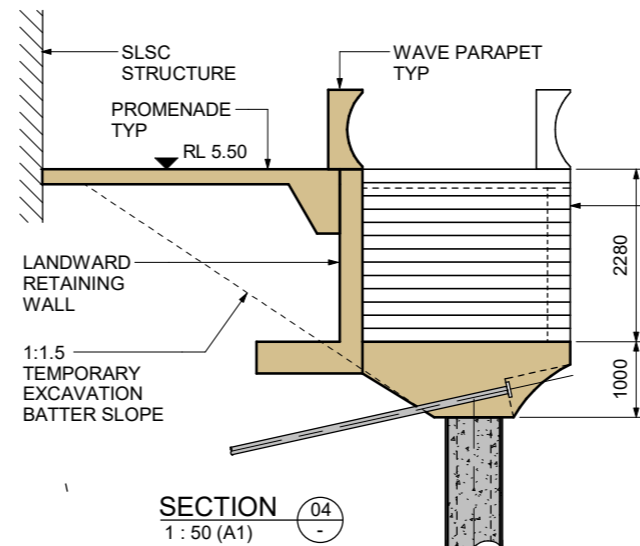
TYPICAL DESIGN SECTION
1:40 (A1)



SECTION 02
1:50 (A1)



SECTION 03
1:50 (A1)



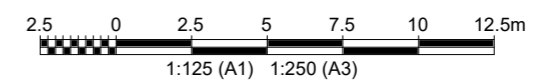
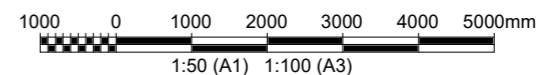
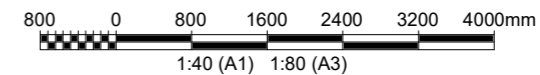
SECTION 04
1:50 (A1)

NOTES:

- ALL LEVELS ARE IN METRES RELATIVE TO AUSTRALIAN HEIGHT DATUM (AHD) AND ALL DIMENSIONS ARE IN MILLIMETRES UNLESS NOTED OTHERWISE.
- CONCEPT DESIGN - SUBJECT TO DETAILED DESIGN.
- EXTENT OF EXISTING ROCK IS APPROXIMATE AND BASED ON GEOTECHNICAL INVESTIGATION.

S3 REVIEW & COMMENT

NOT FOR CONSTRUCTION



C01	09.09.2024	SLSC BUILDING SCALE AMENDED	SH	SC	GB
P01	30.07.2024	DRAFT FOR COMMENT	SH	SC	GB
REV	DATE	DESCRIPTION	BY	CHK	APP

REVISIONS

CLIENT



PROJECT
NEWPORT SLSC REDEVELOPMENT - COASTAL PROTECTION WORKS

TITLE
GENERAL ARRANGEMENT DETAILS



DRAWN	SC	CHECKED	GB	APPROVED	GB
DATE	30.07.2024	SCALE	As indicated	REF.	
DRAWING No.	PA2407-RHD-00-105-DR-MA-0021	SUITABILITY	S3	REVISION	C01