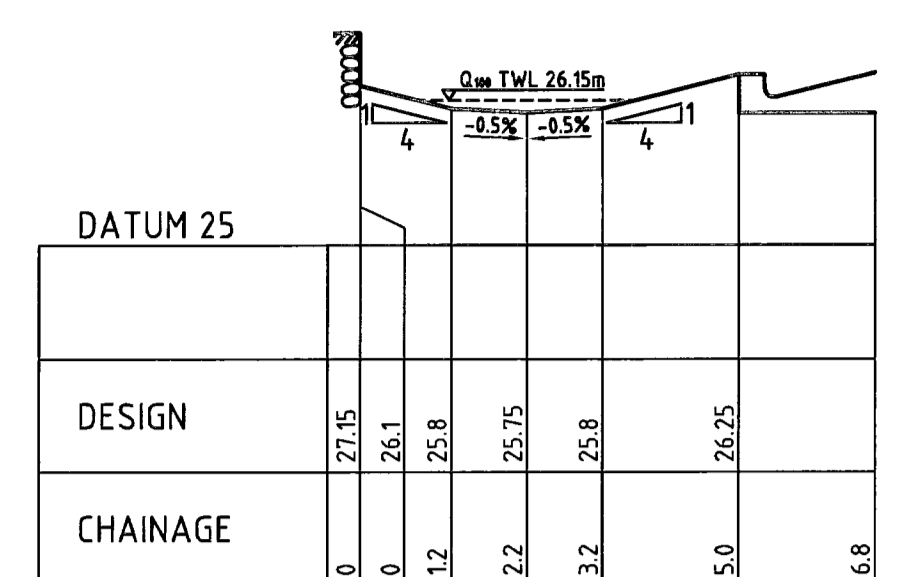
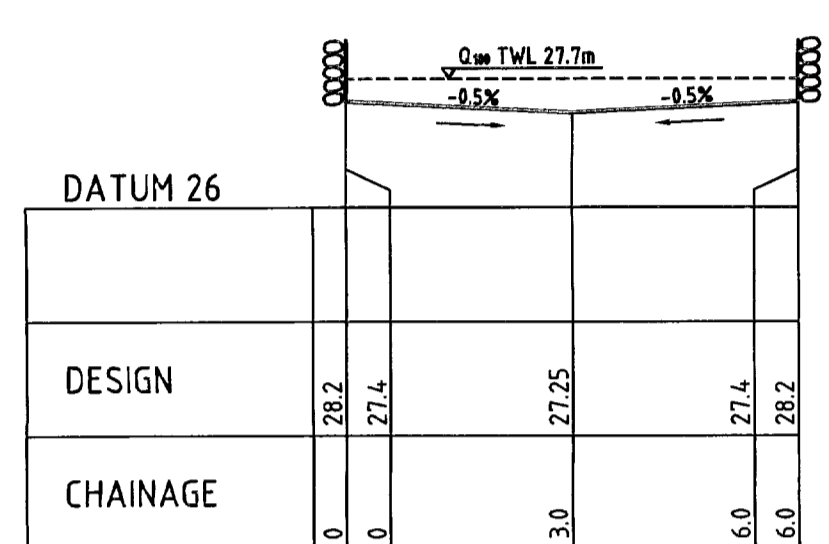


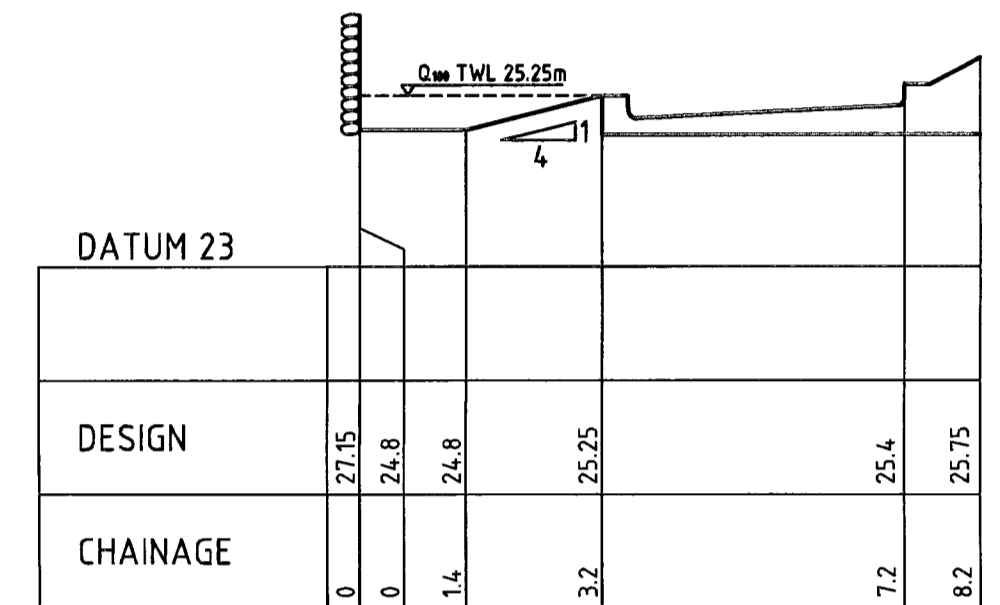
SECTION A
SCALE 1:250



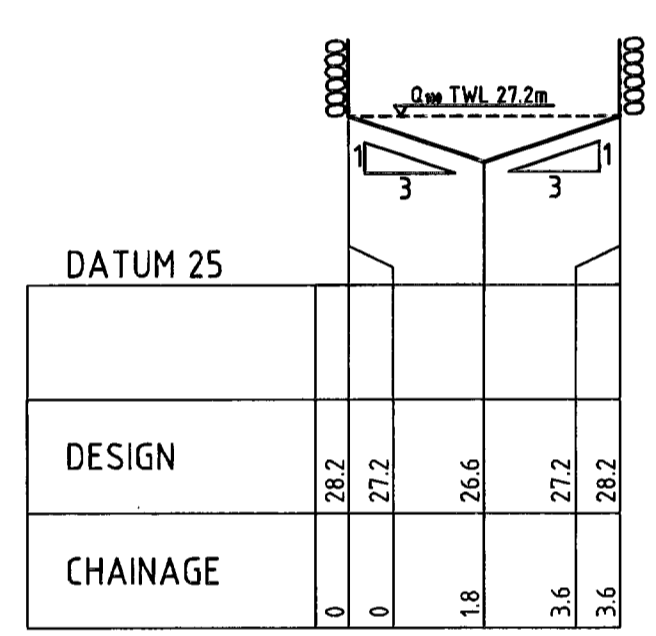
SECTION D
SCALE 1:250



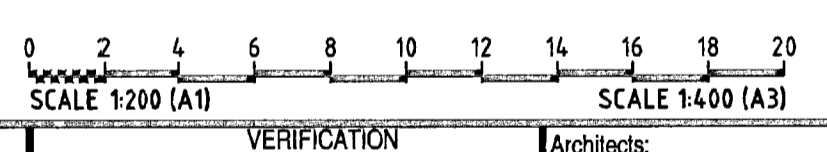
SECTION B
SCALE 1:250



SECTION E
SCALE 1:250



SECTION C
SCALE 1:250



REV	DATE	DESCRIPTION	BY	VER	APP
03	29/06/06	ISSUED FOR REZONING	MS	JL	
02	02/05/06	CLIENT REVIEW	MS	JL	
01	22/09/04	ISSUED FOR DA APPROVAL	AK	JL	
		AMENDMENTS			

Disclaimer and Copyright:
ALL DIMENSIONS TO BE CHECKED ON SITE BY SUPERINTENDANT PRIOR TO CONSTRUCTION. USE WRITTEN DIMENSIONS ONLY, DO NOT SCALE.

Brown Consulting (NSW) Pty Ltd
Level 2, 82 Waterloo Road Macquarie Park NSW Australia 2113
Telephone: 02 9900 1000 Facsimile: 02 9900 1099

BROWN

Sydney
Canberra
Brisbane
Melbourne
Singapore

VERIFICATION		DATE
INITIALS	SIGNATURE	
DRAFTING	AK	16/19/04
DESIGN	JL	16/19/04
VERIFY	RAP	16/19/04
APPROVED	RAP	16/19/04

Architects:
JUBILEE DEVELOPMENTS

Project:
**SECTOR 5
WARRIEWOOD VALLEY**

Drawing:
**OVERLAND FLOWPATH
PLAN AND SECTIONS
SECTOR 5**

Drawn by: AK
Design by: JL
Project No: X04023
Drawing No: D06

Sheet: 8 OF 12
Scale: 1:200
Rev: 01

PRELIMINARY