



Wed Aug 11 2021
© 2021 Nearmap, HERE

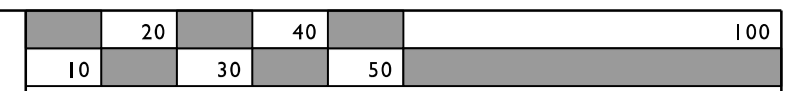
20 m

01

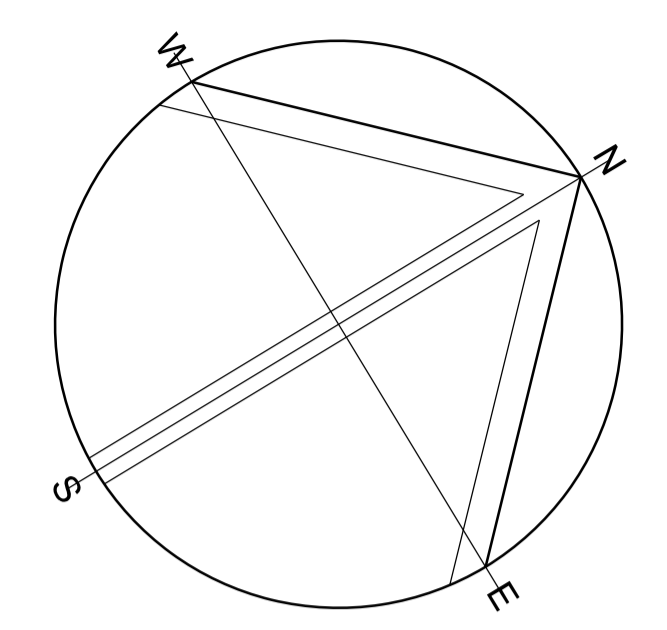
SITE PLAN AND
CONTEXT PLAN
OF SURROUNDS

SCALE 1:500 APPROX.

BASE MAP IMAGE
COURTESY OF NEARMAPS



THIS BAR REPRESENTS 100mm ON ORIGINAL
Curtin Architects accepts no responsibility for
dimensions scaled off drawing. Check all copies and
electronic drawings of any type for accuracy in scaling.



GENERAL LEGEND

- EXISTING CLUB PREMISES
No work to toned area
- DA WORKS

**THIS PLAN IS TO BE READ IN
CONJUNCTION WITH
THE CONDITIONS OF DEVELOPMENT
CONSENT**

DA2024/0675

A	DA ISSUE	15.04.24
Issue	Amendment Description	Date

AMENDMENTS

1. Figured dimensions to be taken in preference to scaling.
2. Builder to check all dimensions on site where relevant and notify of any discrepancies.
3. All dimensions are given in millimetres except levels and drawings to scale 1:500 and smaller which are in metres.

INTELLECTUAL PROPERTY
COPYRIGHT CURTIN ARCHITECTS PTY LTD. (C.A.), UNLESS OTHERWISE AGREED IN WRITING. ALL RIGHTS RESERVED. THIS DOCUMENT IS THE PROPERTY OF C.A. AND THIS DOCUMENT MAY NOT BE REPRODUCED OR TRANSMITTED IN ANY FORM OR BY ANY MEANS, ELECTRONIC OR MECHANICAL, INCLUDING PHOTOCOPYING, RECORDING, OR BY ANY INFORMATION STORAGE AND RETRIEVAL SYSTEM, WITHOUT THE WRITTEN PERMISSION OF C.A. ANY UNAUTHORIZED USE OF THIS DOCUMENT IS AT THE USER'S SOLE RISK AND WITHOUT LIMITING DAMAGES THE USER RELEASES AND INDEMNIFIES C.A. FROM AND AGAINST ALL LOSS OR DAMAGE.

CLIENT

**paynter
dixon**
Paynter Dixon Constructions Pty Limited
Level 3, 5 Rider Boulevard RHODES NSW 2138
Tel (02) 9797 5555 Fax (02) 9797 5533
ABN 84 097 120 315

CURTIN ARCHITECTS
PTY. LIMITED ABN 43 052 102 744
Reg. No. 4307
Level 2, 52 Atchison Street ST LEONARDS NSW 2065
ma@curtinarchitects.com.au Phone: (02) 9437 1111

PROJECT: **P Pittwater**
**PITTWATER RSL CLUB
PICKLEBALL COURTS**
82 Mona Vale Road Mona Vale NSW 2103

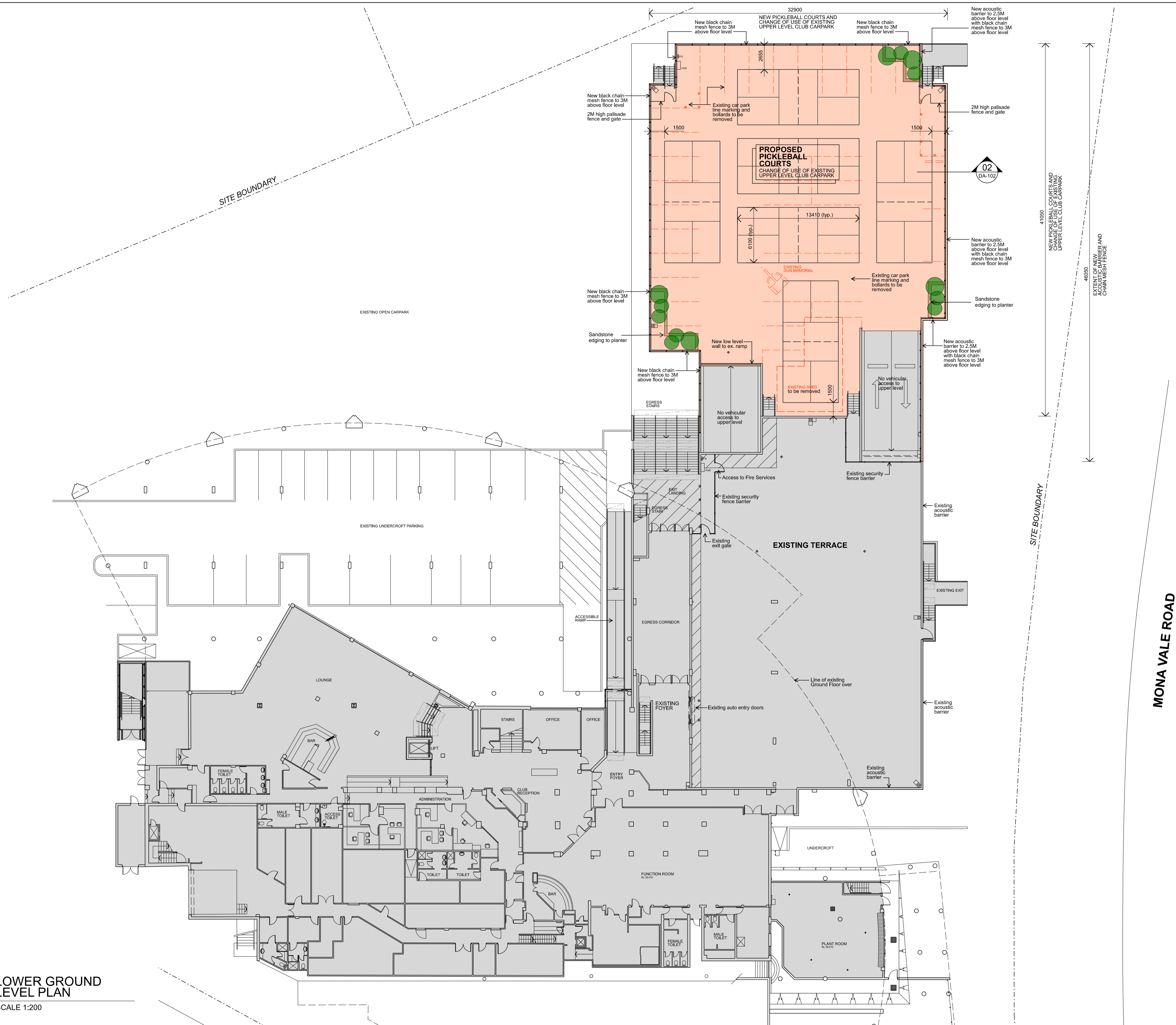
DRAWING TITLE:
**SITE PLAN &
CONTEXT PLAN**

DRAWN BY: JEH	SCALE: 1:500 @ A1
PROJECT No:	DATE STARTED: FEBRUARY 2024
6774 PRL0145	DRAWING No: DA-100
	ISSUE: A

PLOT DATE: SDATES PLOT TIME: STIMES

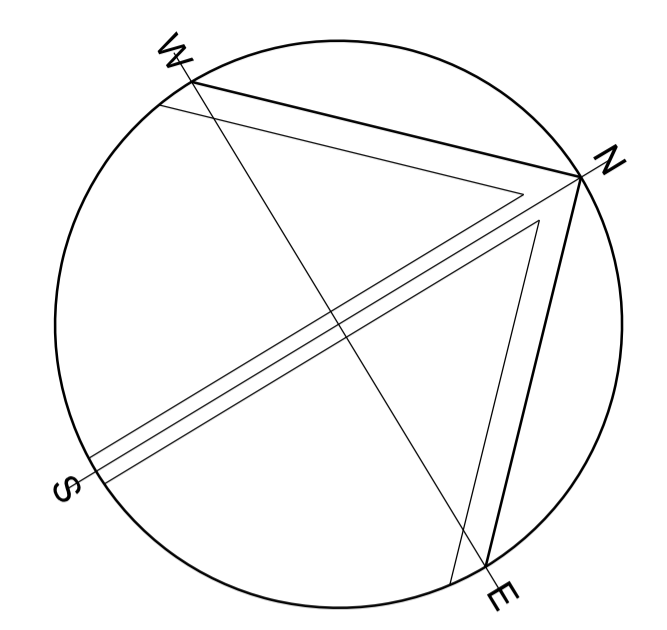
FILE NAME: \$FILES

01
LOWER GROUND LEVEL PLAN
 SCALE 1:200



0	20	40	100
---	----	----	-----

THIS BAR REPRESENTS 100mm ON ORIGINAL
 Curtin Architects accepts no responsibility for dimensions scaled off drawing. Check all copies and electronic drawings of any type for accuracy in scaling.



GENERAL LEGEND

- EXISTING CLUB PREMISES
No work to toned area
- DA WORKS

THIS PLAN IS TO BE READ IN CONJUNCTION WITH THE CONDITIONS OF DEVELOPMENT CONSENT
 DA2024/0675

A	DA ISSUE	15.04.24
Issue	Amendment Description	Date

AMENDMENTS
 1. Figured dimensions to be taken in preference to scaling.
 2. Builder to check all dimensions on site where relevant and notify of any discrepancies.
 3. All dimensions are given in millimetres except levels and drawings to scale 1:500 and smaller which are in metres.
 © INTELLECTUAL PROPERTY
 COPYRIGHT CURTIN ARCHITECTS PTY LTD. (C.A.T.), UNLESS OTHERWISE AGREED IN WRITING. ALL RIGHTS TO USE THIS DOCUMENT ARE SUBJECT TO PAYMENT BY BILL OF SALE OF ALL C.A. CHARGES. THIS DOCUMENT MAY ONLY BE USED FOR THE EXPRESS PURPOSE AND PROJECT FOR WHICH IT HAS BEEN CREATED AND ISSUED. ANY UNAUTHORIZED USE OF THIS DOCUMENT IS AT THE USER'S SOLE RISK AND WITHOUT LIMITING C.A.'S RIGHTS THE USER RELEASES AND INDEMNIFIES C.A. FROM AND AGAINST ALL LOSS ARISING.

CLIENT
paynter dixon
 Paynter Dixon Constructions Pty Limited
 Level 3, 5 Rider Boulevard RHODES NSW 2138
 Tel (02) 9797 5555 Fax (02) 9797 5533
 ABN 84 097 120 315

CURTIN ARCHITECTS
 PTY. LIMITED
 ABN 43 052 102 744
 Reg. No. 4307
 Level 2, 52 Archison Street ST LEONARDS NSW 2065
 ma@curtinarchitects.com.au Phone: (02) 9437 1111

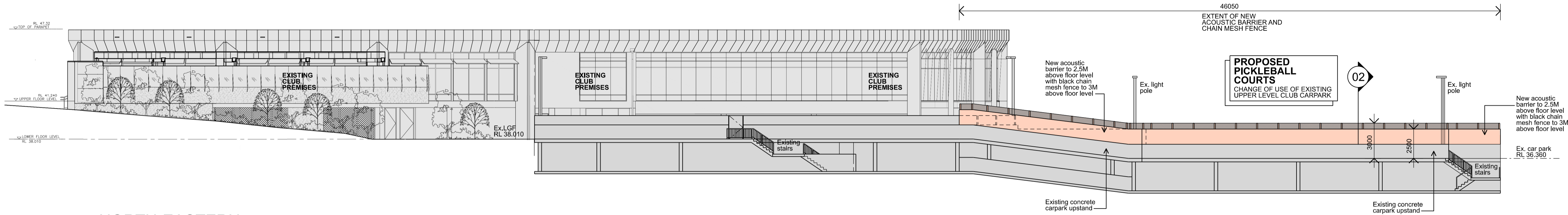
PROJECT:
Pittwater
PITTWATER RSL CLUB PICKLEBALL COURTS
 82 Mona Vale Road Mona Vale NSW 2103

DRAWING TITLE:
LOWER GROUND LEVEL PLAN

DRAWN BY: JEH	SCALE: 1:200 @ A1
PROJECT No: 6774 PRL0145	DATE STARTED: FEBRUARY 2024
DRAWING No: DA-101	ISSUE: A

PLOT DATE: S DATES PLOT TIME: S TIMES

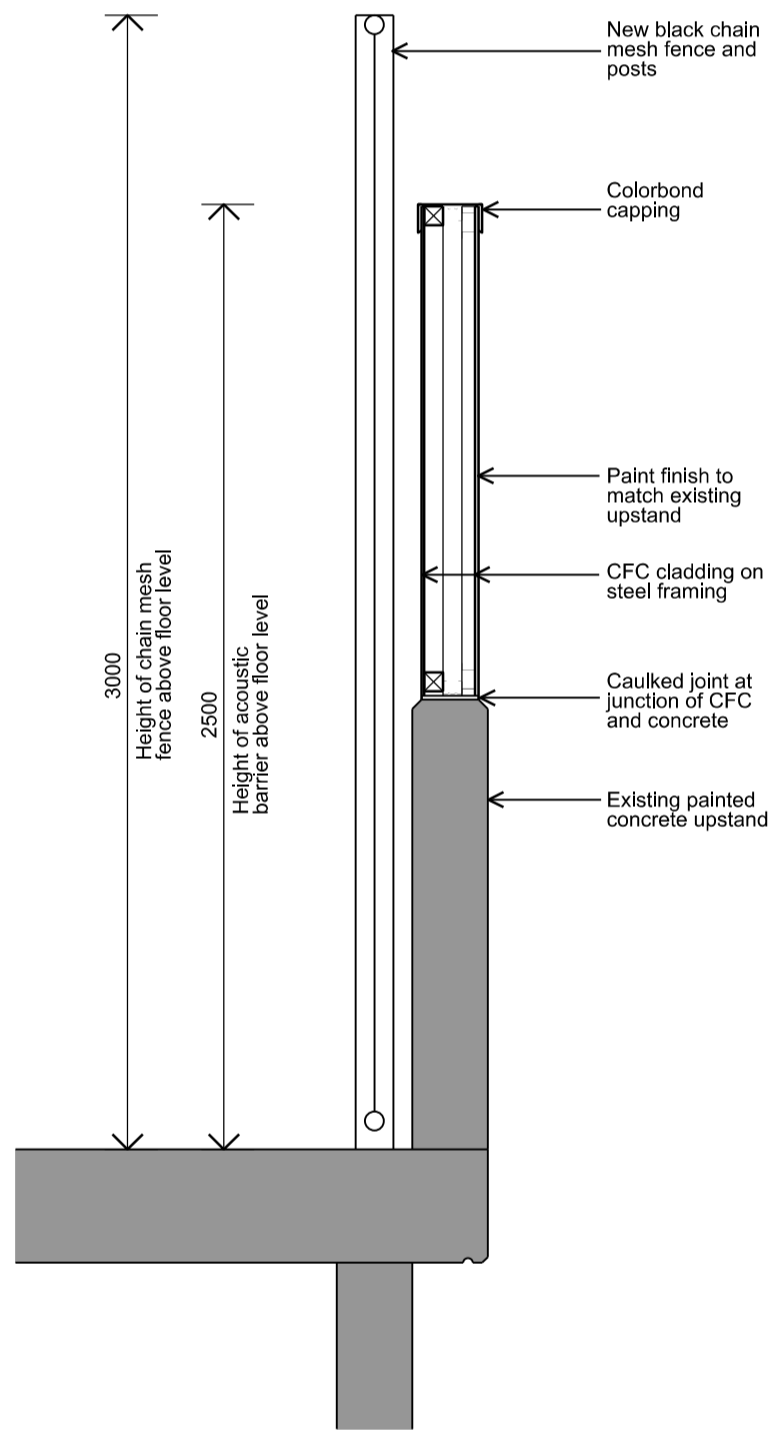
FILE NAME: \$FILES



01

NORTH-EASTERN ELEVATION

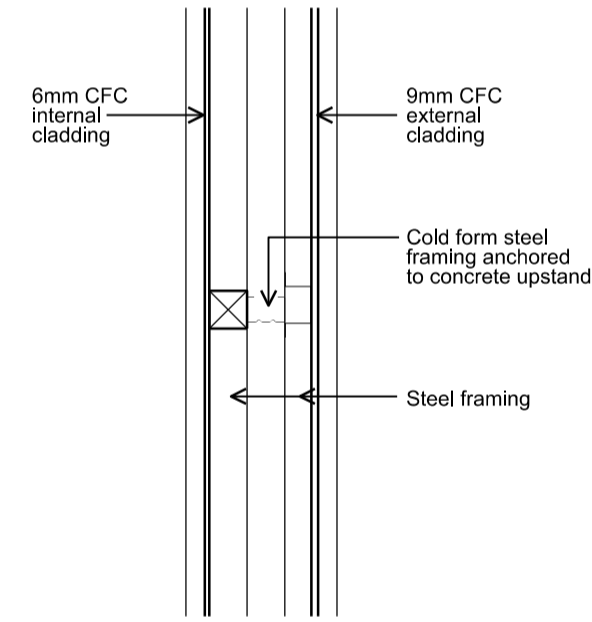
SCALE 1:200



02

ACOUSTIC BARRIER AND CHAIN MESH FENCE DETAIL SECTION

SCALE 1:20



03

ACOUSTIC BARRIER DETAIL PLAN

SCALE 1:10

20 40 100

10 30 50

THIS BAR REPRESENTS 100mm ON ORIGINAL

Curtin Architects accepts no responsibility for dimensions scaled off drawing. Check all copies and electronic drawings of any type for accuracy in scaling.



GENERAL LEGEND

- EXISTING CLUB PREMISES
No work to toned area
- DA WORKS

Issue	Amendment Description	Date
A	DA ISSUE	15.04.24

AMENDMENTS

1. Figured dimensions to be taken in preference to scaling.
 2. Builder to check all dimensions on site where relevant and notify of any discrepancies.
 3. All dimensions are given in millimetres except levels and drawings to scale 1:500 and smaller which are in metres.

© INTELLECTUAL PROPERTY
 COPYRIGHT CURTIN ARCHITECTS PTY LTD. (C.A.T.) UNLESS OTHERWISE AGREED IN WRITING. ALL RIGHTS TO USE THIS DOCUMENT ARE SUBJECT TO PAYMENT BY USER OF ALL CHARGES. THIS DOCUMENT MAY ONLY BE USED FOR THE EXPRESS PURPOSE AND PROJECT FOR WHICH IT HAS BEEN CREATED AND CANNOT BE REPRODUCED OR TRANSMITTED IN ANY FORM OR BY ANY MEANS, ELECTRONIC OR MECHANICAL, INCLUDING PHOTOCOPYING, RECORDING, OR BY ANY INFORMATION STORAGE AND RETRIEVAL SYSTEM, WITHOUT THE WRITTEN PERMISSION OF CURTIN ARCHITECTS PTY LTD. ANY UNAUTHORIZED USE OF THIS DOCUMENT IS AT THE USER'S SOLE RISK AND WITHOUT LIMITING CURTIN ARCHITECTS PTY LTD'S LIABILITY TO THE USER FOR ANY SUCH UNAUTHORIZED USE.

CLIENT

paynter dixon
 Paynter Dixon Constructions Pty Limited
 Level 3, 5 Rider Boulevard RHODES NSW 2138
 Tel (02) 9797 5555 Fax (02) 9797 5533
 ABN 84 097 120 315

CURTIN ARCHITECTS
 PTY. LIMITED ABN 43 052 102 744
 Reg. No. 4307
 Level 2, 52 Atchison Street ST LEONARDS NSW 2065
 mail@curtinarchitects.com.au Phone: (02) 9437 1111

PROJECT:

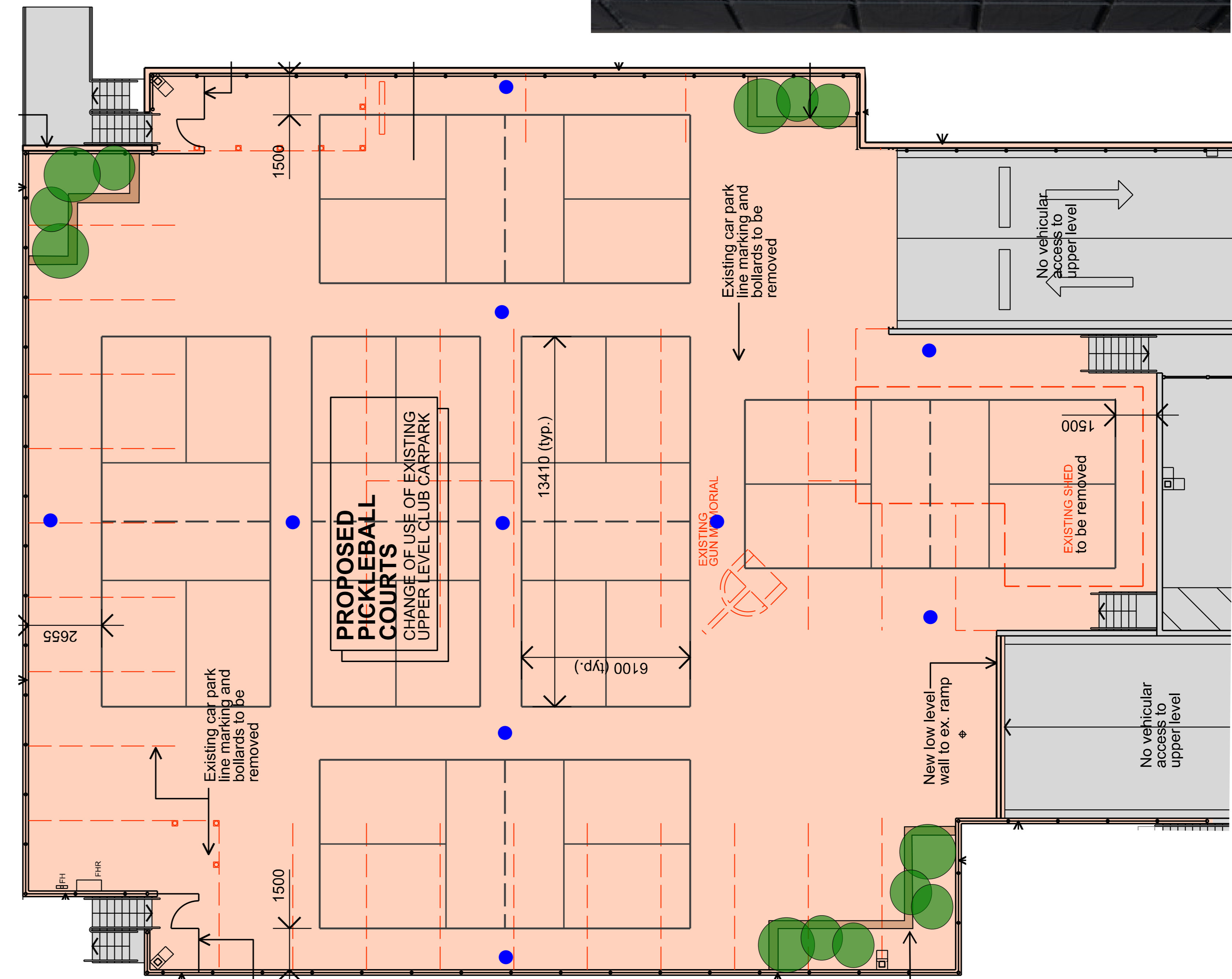
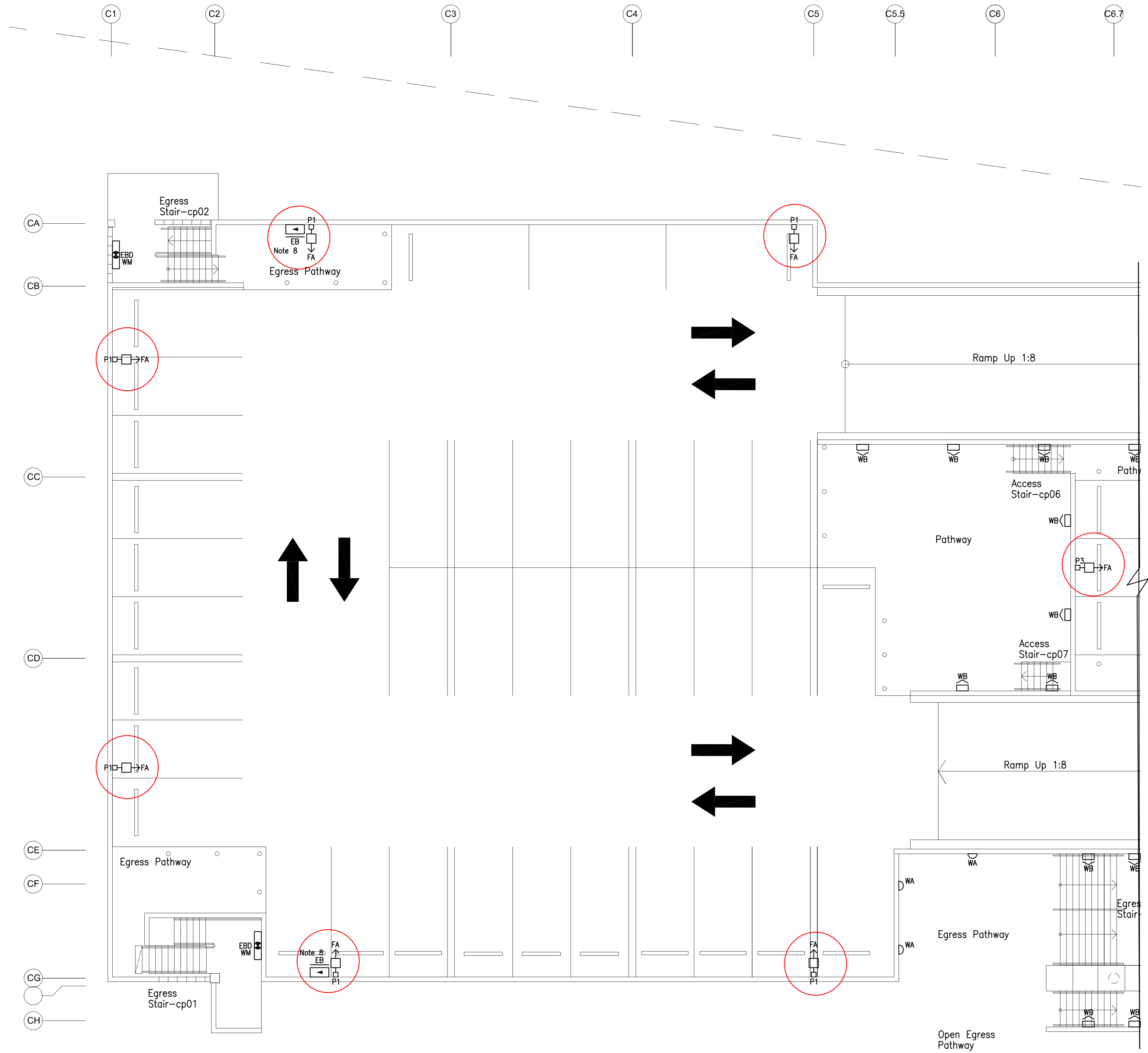
Pittwater
PITTWATER RSL CLUB PICKLEBALL COURTS
 82 Mona Vale Road Mona Vale NSW 2103

DRAWING TITLE:
ELEVATION BARRIER DETAILS

DRAWN BY: JEH	SCALE: 1:200, 1:20, 1:10 @ A1
PROJECT No: 6774 PRL0145	DATE STARTED: FEBRUARY 2024
	DRAWING No: DA-102
	ISSUE: A

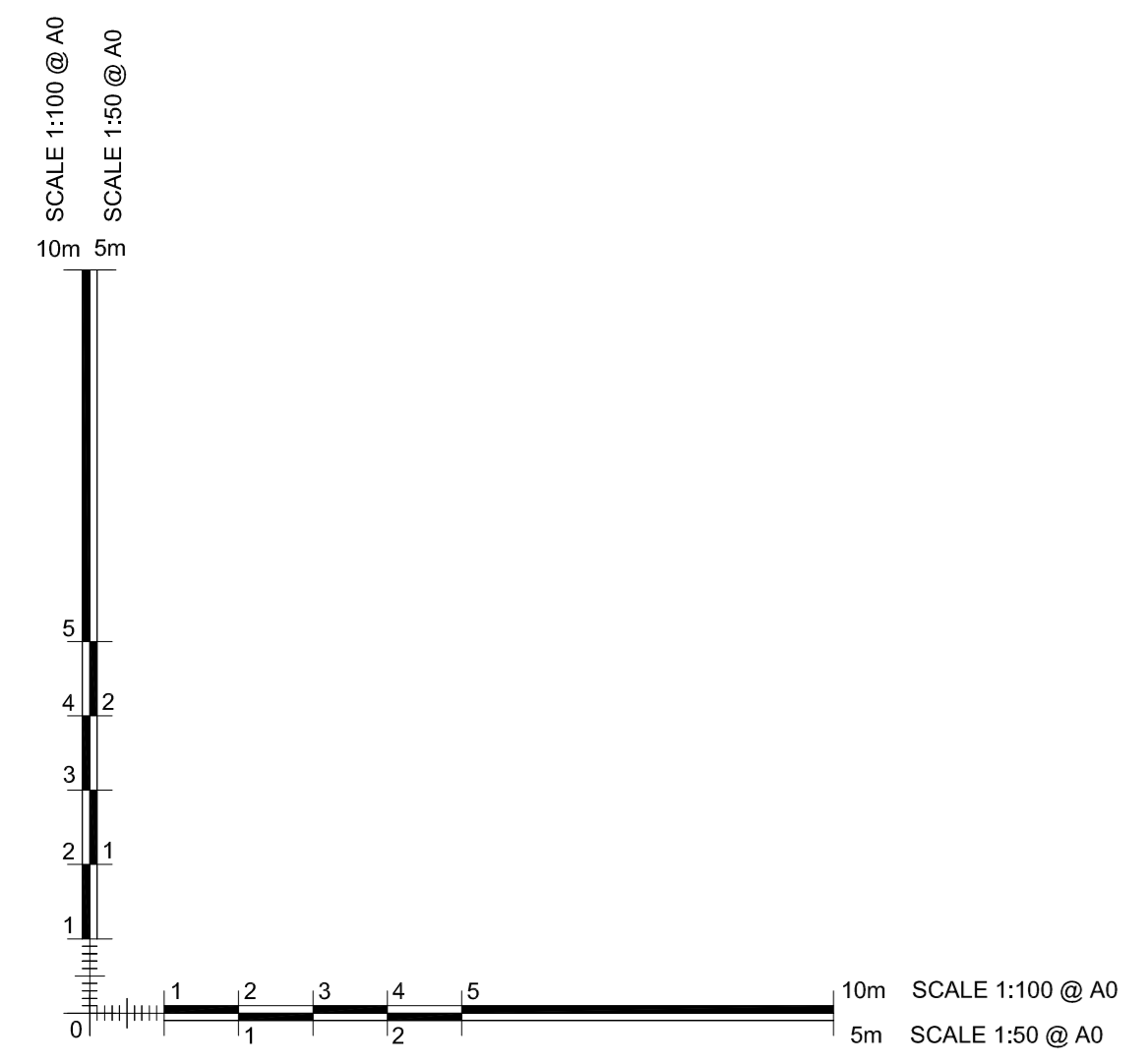
PLOT DATE: \$DATES PLOT TIME: \$TIMES FILE NAME: \$FILES

THIS PLAN IS TO BE READ IN CONJUNCTION WITH THE CONDITIONS OF DEVELOPMENT CONSENT
DA2024/0675



EXISTING LIGHT POLE LOCATIONS

PROPOSED NEW/RELOCATED LIGHT POLE LOCATIONS



PROJECT: PITTWATER RSL CLUB PICKLEBALL COURTS 82 Mona Vale Road Mona Vale NSW 2103	
DRAWING TITLE: LOWER GROUND LEVEL PLAN	
DRAWN BY: JEH	SCALE: 1:200 @ A1
PROJECT No: 6774 PRL0145	DATE STARTED: FEBRUARY 2024
DRAWING No: DA-103	ISSUE: A