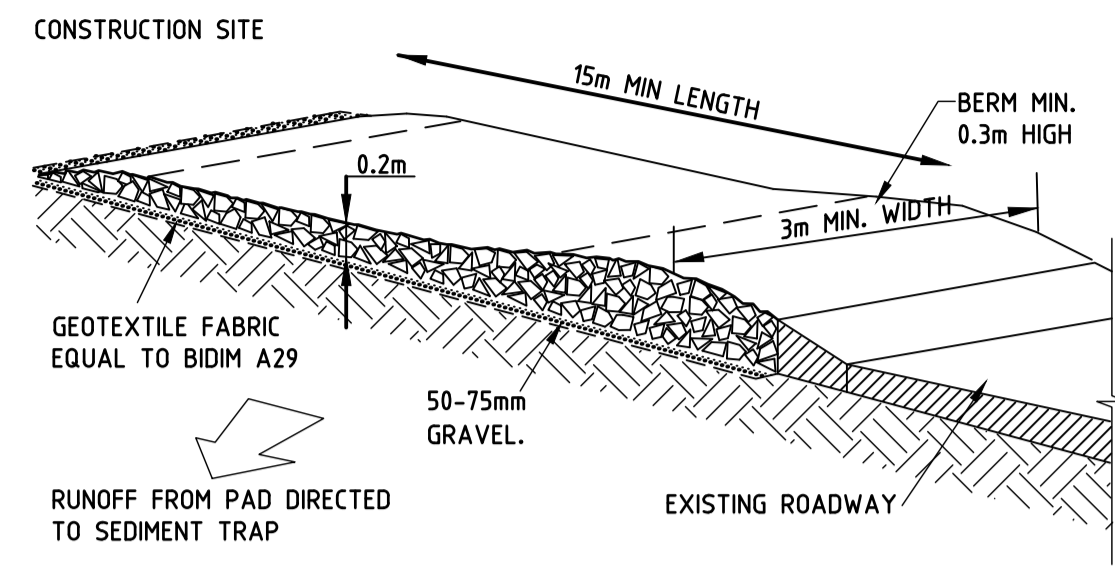
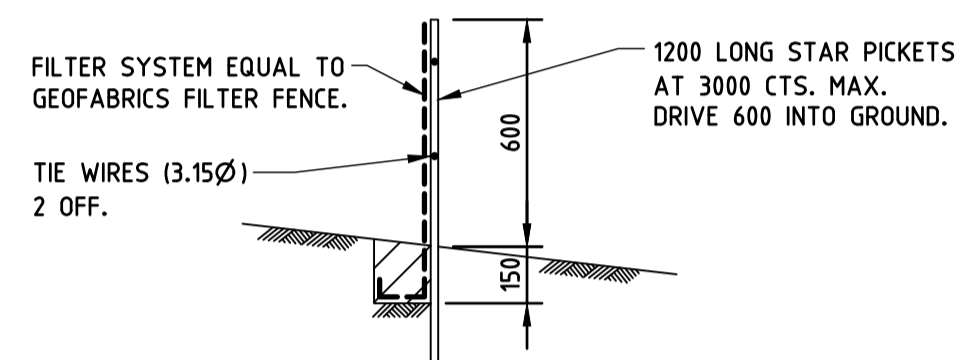


LEGEND	
	SILT FENCE/ SILT TRAP.
	TEMPORARY CONSTRUCTION ENTRY/EXIT

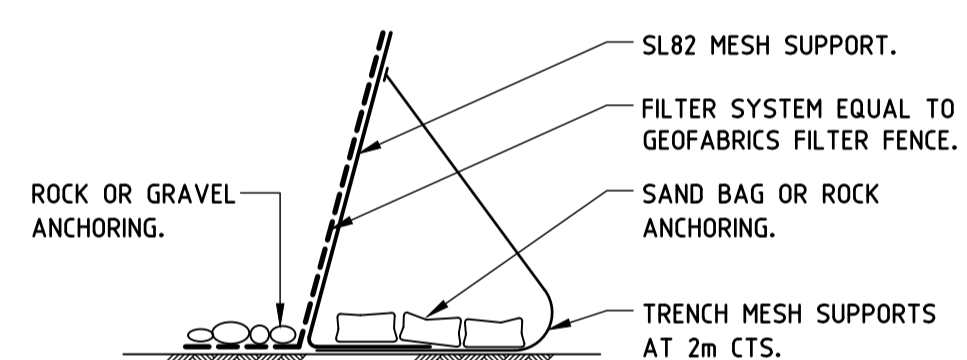
PROVIDE SILT FENCE TO LOW SIDE OF AREA OF WORKS (TYP). LOCATION TO BE ADAPTED ONSITE TO SUIT CONSTRUCTION STAGING AS REQUIRED. REFER TO DETAIL.



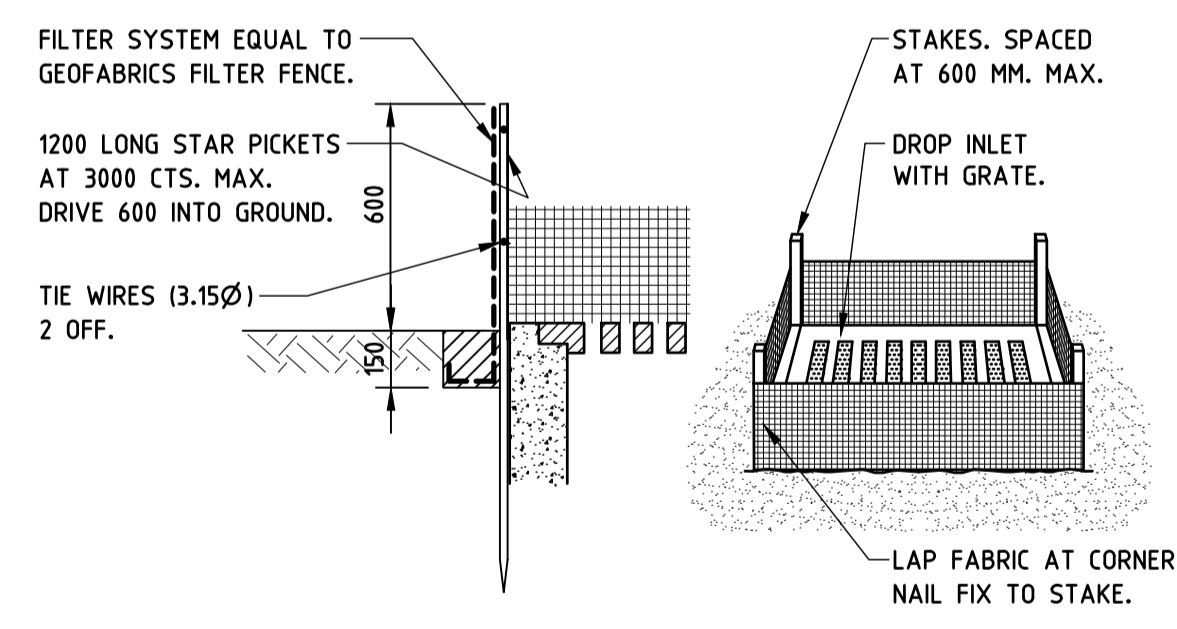
TEMPORARY CONSTRUCTION ENTRY/EXIT
TO BE LOCATED AT VEHICLE EXIT FROM SITE



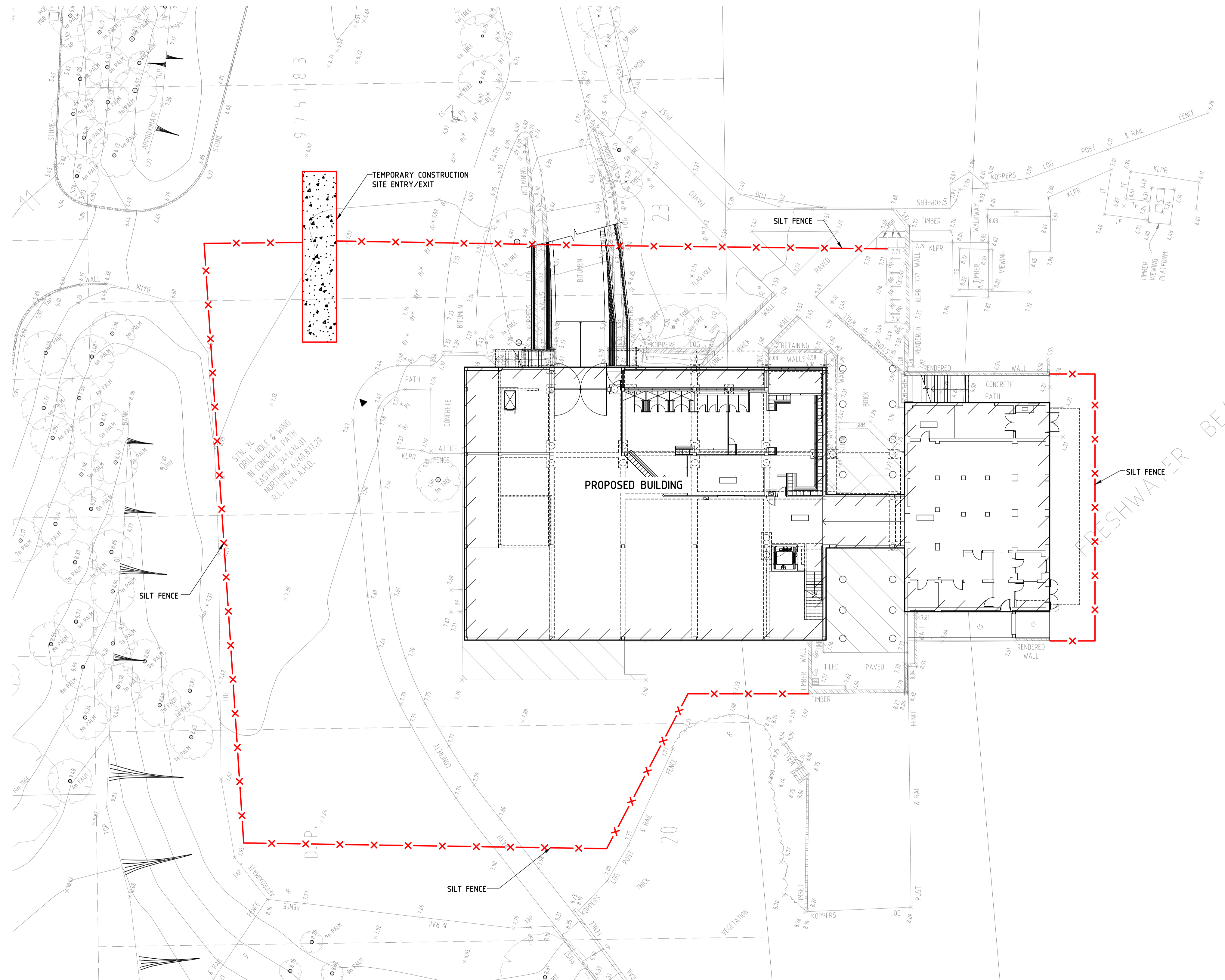
SILT FENCE DETAIL
TO BE PLACED AROUND LOW SIDE OF PROPERTY BOUNDARY AND AROUND STORMWATER INLET STRUCTURES TO PREVENT SOIL WASHING OFF SITE.



SILT FENCE DETAIL.
NTS

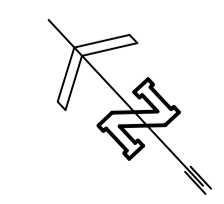


GEOTEXTILE FILTER FABRIC DROP INLET SEDIMENT TRAP.



No.	Date	Description	Ver.	Appr.
P1	22.02.23	DRAFT ISSUE		

PROGRESS PRINT



ARCHITECT
BONUS + ASSOCIATES
LEVEL 1, 597 DARLING STREET
ROZELLE NSW 2039

Woolacotts.
CONSULTING ENGINEERS
T +61 2 8203 1500 | www.woolacotts.com.au
Suite 6.02 Level 6, 67 Albert Ave, Chatswood NSW 2067
This drawing is copyright and must not be used, reproduced or copied in any way without written permission of Woolacotts Consulting Engineers Pty Ltd.

ALTERATIONS AND ADDITIONS
FRESHWATER SURF LIFE SAVING CLUB
EROSION & SEDIMENT CONTROL
PLAN AND DETAILS

Date	Approved	Verified	Prepared
FEBRUARY 2023			
Scale @ A1 1:200, 1:20			
Job number 23-25	Drawing number ES1	Amendment P1	