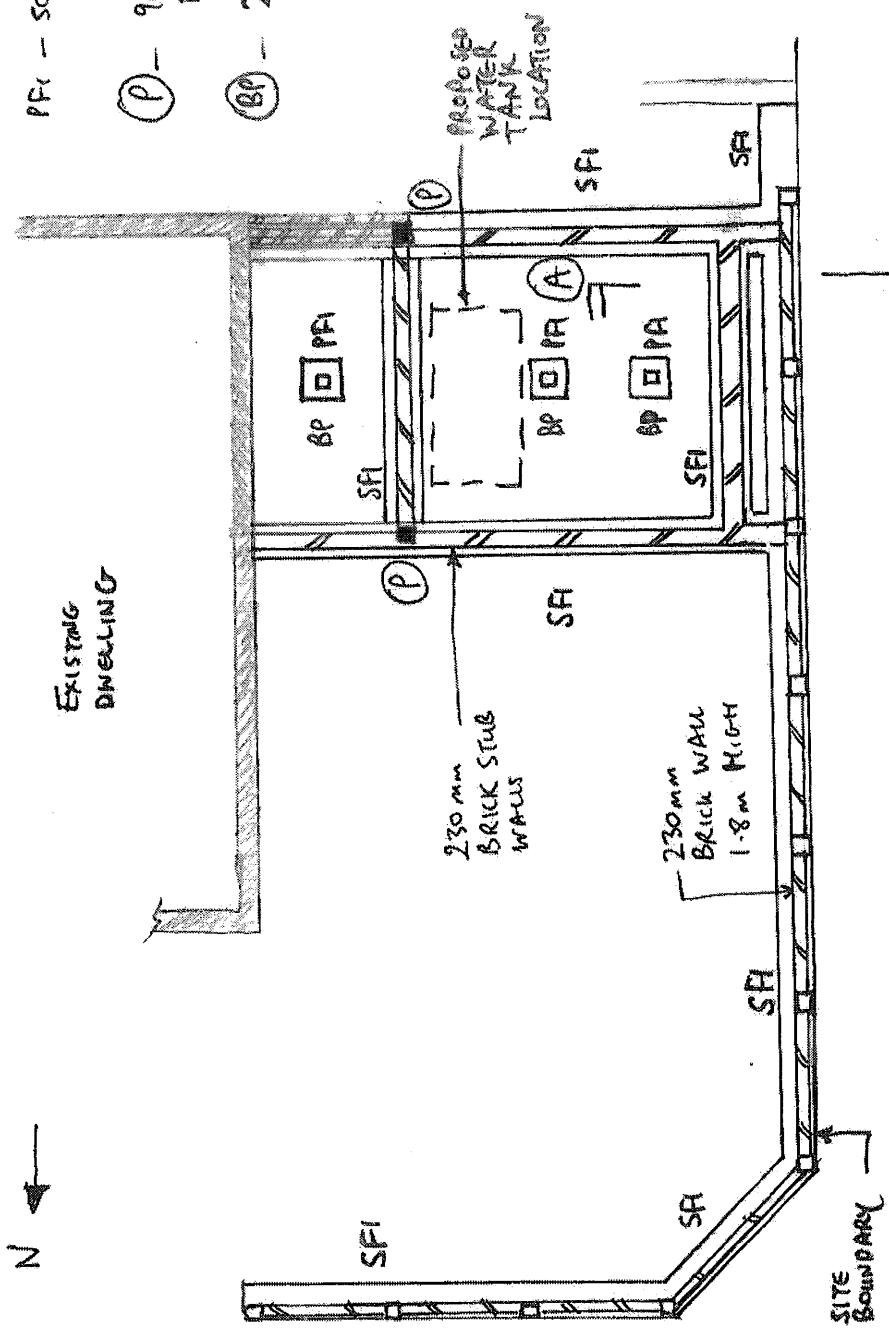


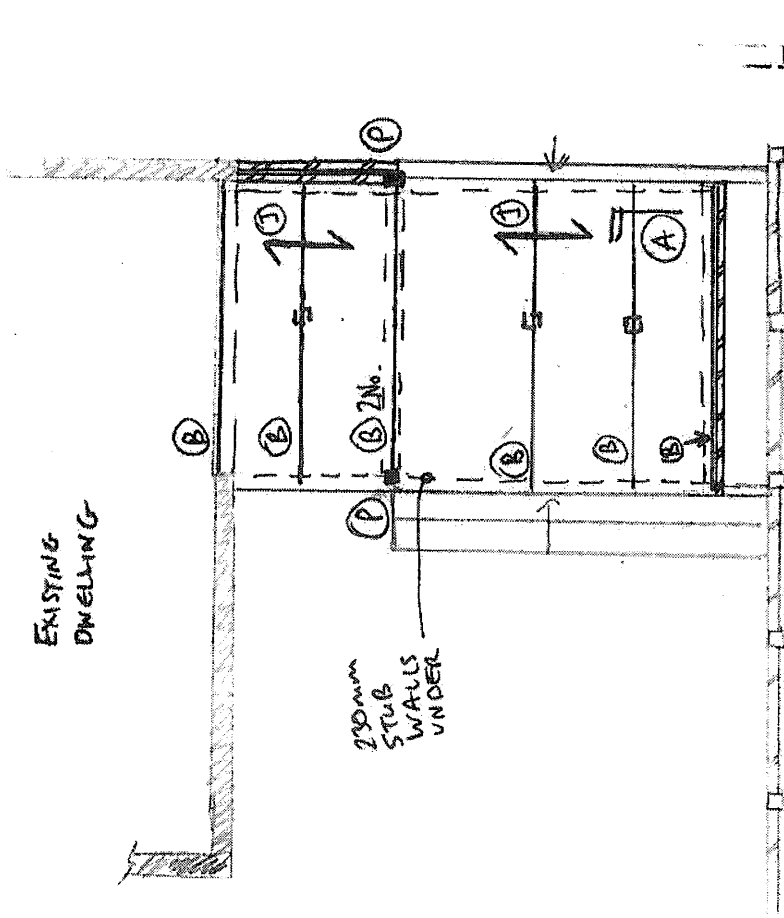
LEGEND

- SFI - 500x300 DEEP RC FOOTING
- PF1 - 500 X 500 X 300 DEEP MASS CONC. FOOTING
- (P) - 90 X 90 HARDWOOD FIT TIMBER POST
- (BP) - 230 sq. BRICK PIER



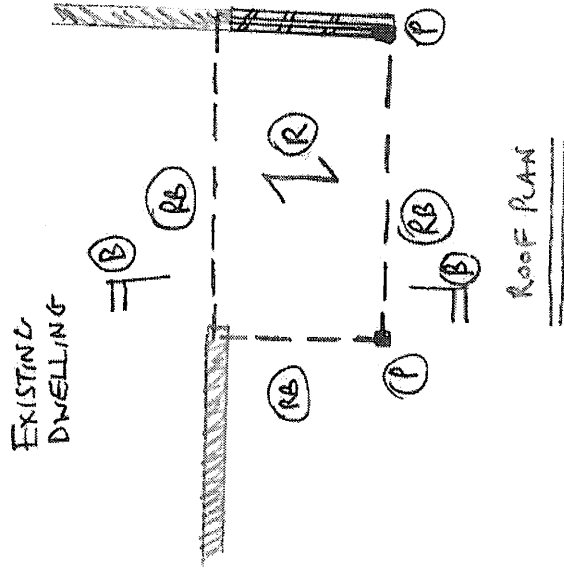
M9091
SK01

FOUNDATION PLAN SCALE 1:100



GROUND FLOOR PLAN

SCALE 1:100



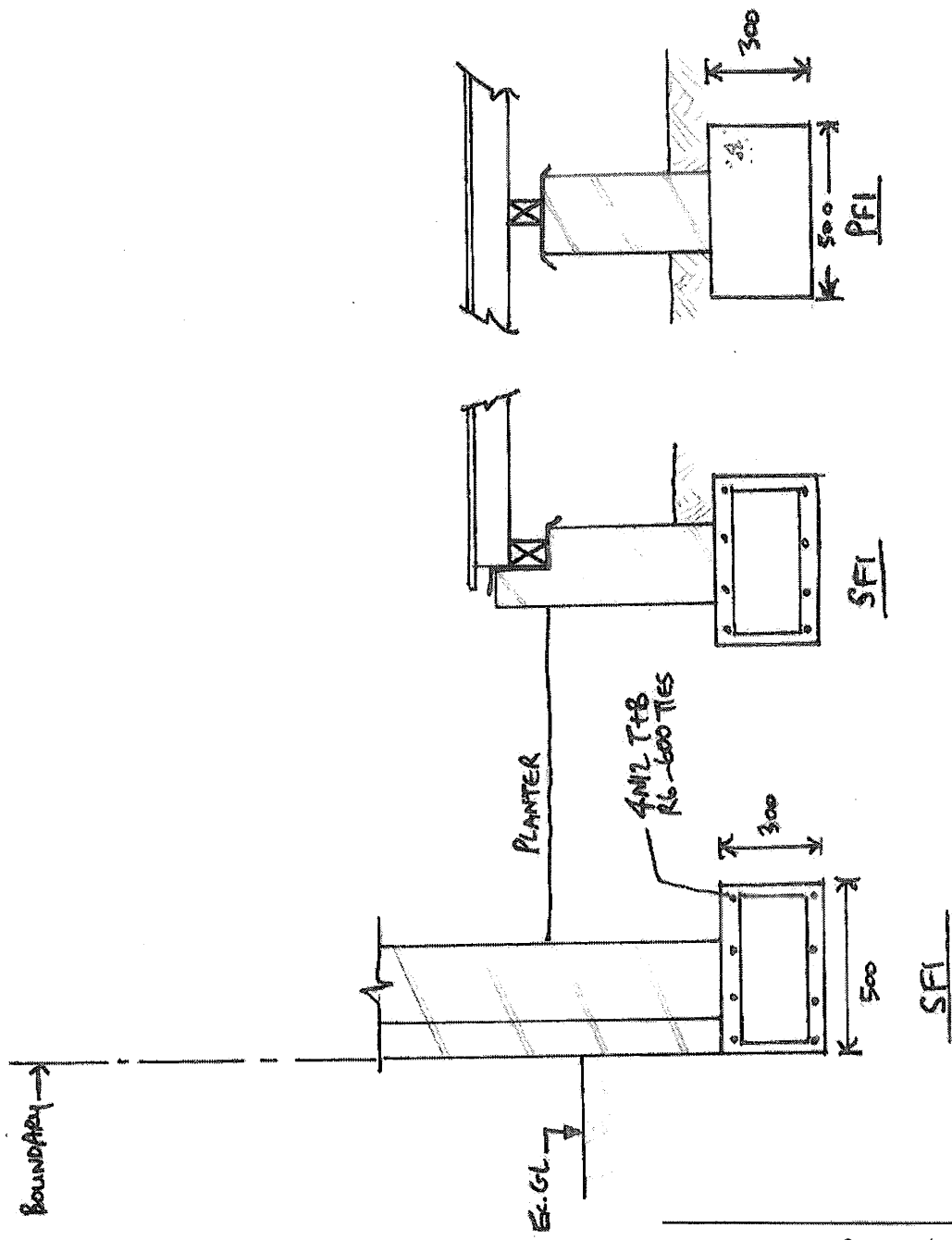
ROOF PLAN

LEGEND

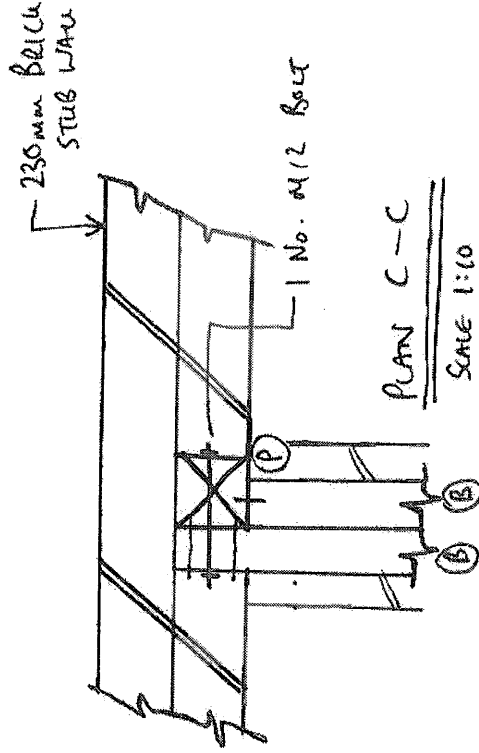
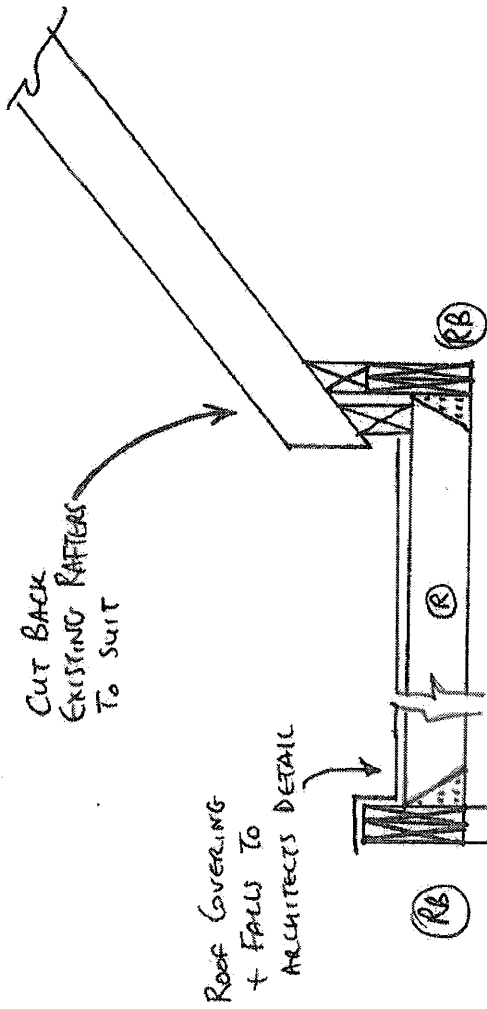
- (B) - 100x63 F17 HARDWOOD BEAMER
- (J) - 100x45 F17 HARDWOOD JOISTS @ 450c/c
- (P) - 90x90 F17 HARDWOOD POSTS
- (R) - 140x45 MGP 10 RAFTERS @ 600c/c
- (RB) - 2 No. 240x45 HYPSPAN LVL
or 180 UB 16 (STEEL)

M9091
SK02

SCALE 1:20



| |
|-------|
| M9091 |
| SK03 |



SDA Simpson Design Associates

SECTION B-B SCALE 1:20

M9091
SK04