

# PROPOSED RESIDENTIAL DEVELOPMENT

## 141 RIVERVIEW ROAD, AVALON

### STORMWATER MANAGEMENT PLANS

**GENERAL NOTES:**

- THESE PLANS SHALL BE READ IN CONJUNCTION WITH OTHER RELEVANT CONSULTANTS'S PLANS, SPECIFICATIONS, CONDITIONS OF DEVELOPMENT CONCEST AND CONSTRUCTION CERTIFICATE REQUIREMENTS. WHERE DISCREPANCIES ARE FOUND NASTASI & ASSOCIATES MUST BE CONTACTED IMMEDIATELY FOR VERIFICATION.
- WHERE THESE PLANS ARE NOTED FOR DEVELOPMENT APPLICATION PURPOSES ONLY, THEY SHALL NOT BE USED FOR OBTAINING A CONSTRUCTION CERTIFICATE NOR USED FOR CONSTRUCTION PURPOSES.
- SUBSOIL DRAINAGE SHALL BE DESIGNED AND DETAILED BY THE STRUCTURAL ENGINEER. SUBSOIL DRAINAGE SHALL NOT BE CONNECTED INTO THE STORMWATER SYSTEM IDENTIFIED ON THESE PLAN UNLESS APPROVED BY NASTASI & ASSOCIATES ENGINEERS.

**STORMWATER CONSTRUCTION NOTES:**

- ALL WORK SHALL BE CARRIED OUT IN ACCORDANCE WITH AS/NZS 3500 (CURRENT EDITION) AND THE REQUIREMENTS OF THE LOCAL COUNCIL'S POLICIES AND CODES
- THE MINIMUM SIZE OF THE STORMWATER DRAINS SHALL NOT BE LESS THAN DN 90 FOR CLASS 1 BUILDINGS AND DN100 FOR OTHER CLASSES OF BUILDING OR AS REQUIRED BY REGULATORY AUTHORITY
- THE MINIMUM GRADIENT OF STORMWATER DRAINS SHALL BE 1%, UNLESS NOTED OTHERWISE
- COUNCIL'S TREE PRESERVATION ORDER IS TO BE STRICTLY ADHERED TO. NO TREES SHALL BE REMOVED UNTIL PERMIT IS OBTAINED
- PUBLIC UTILITY SERVICES ARE TO BE ADJUSTED AS NECESSARY AT THE CLIENT'S EXPENSE
- ALL PITS TO BE BENCHED AND STREAMLINED. PROVIDE STEP IRONS FOR ALL PITS OVER 1.2m DEEP
- ALL PITS IN AN EASEMENT OR TRAFFICABLE AREA ARE TO BE PRE-CAST OR CAST-IN-SITU OR APPROVED EQUIVALENT
- MAKE SMOOTH JUNCTION WITH ALL EXISTING WORK
- VEHICULAR ACCESS AND ALL SERVICES TO BE MAINTAINED AT ALL TIMES TO ADJOINING PROPERTIES AFFECTED BY CONSTRUCTION
- SERVICES SHOWN ON THESE PLANS HAVE BEEN LOCATED FROM INFORMATION SUPPLIED BY THE RELEVANT AUTHORITIES AND FIELD INVESTIGATIONS AND ARE NOT GUARANTEED COMPLETE NOR CORRECT. IT IS THE CLIENT & CONTRACTOR'S RESPONSIBILITY TO LOCATE ALL PRIOR TO CONSTRUCTION
- ANY VARIATION TO THE WORKS AS SHOWN ON THE APPROVED DRAWINGS ARE TO BE CONFIRMED BY NASTASI & ASSOCIATES PRIOR TO THEIR COMMENCEMENT

**RAINWATER RE-USE NOTES:**

- RAINWATER SUPPLY PLUMBING TO BE CONNECTED TO OUTLETS WHERE REQUIRED BY BASIX CERTIFICATE (BY OTHERS)
- TOWN WATER CONNECTION TO RAINWATER TANK TO THE SATISFACTION OF THE REGULATORY AUTHORITY. THIS WAY REQUIRE PROVISION OF:  
2.1. PERMANENT AIR GAP  
2.2. BACKFLOW PREVENTION DEVICE
- NO DIRECT CONNECTION BETWEEN TOWN WATER SUPPLY AND THE RAINWATER SUPPLY
- AN APPROVED STOP VALVE AND/OR PRESSURE LIMITING VALVE AT THE RAINWATER TANK
- PROVIDE AT LEAST ONE EXTERNAL HOSE COCK ON THE TOWN WATER SUPPLY FOR FIRE FIGHTING
- PROVIDE APPROPRIATE FLOAT VALVES AND/OR SOLENOID VALVES TO CONTROL TOWN WATER SUPPLY INLET TO TANK IN ORDER TO ACHIEVE THE TOP-UP INDICATED ON THE TYPICAL DETAIL
- ALL PLUMBING WORKS ARE TO BE CARRIED OUT BY LICENSED PLUMBERS IN ACCORDANCE WITH AS/NZS3500.1 NATIONAL PLUMBING AND DRAINAGE CODE
- PRESSURE PUMP ELECTRICAL CONNECTION TO BE CARRIED OUT BY A LICENSED ELECTRICIAN
- ONLY ROOF RUN-OFF IS TO BE DIRECTED TO THE RAINWATER TANK. SURFACE WATER INLETS ARE NOT BE CONNECTED
- PIPE MATERIALS FOR RAINWATER SUPPLY PLUMBING ARE TO BE APPROVED MATERIALS TO AS/NZE3500 PART 1 SECTION 2 AND TO BE CLEARLY AND PERMANENTLY IDENTIFIED AS 'RAINWATER'. THIS MAY BE ACHIEVED FOR BELOW GROUND PIPES USING IDENTIFICATION TAPE (MADE IN ACCORDANCE WITH AS2648) OR FOR ABOVE GROUND PIPES BY USING ADHESIVE PIPE MARKERS (MAKE IN ACCORDANCE WITH AS1345)
- EVERY RAINWATER SUPPLY OUTLET POINT AND THE RAINWATER TANK ARE TO BE LABELED 'RAINWATER' ON A METALLIC SIGN IN ACCORDANCE WITH AS131619
- ALL INLETS AND OUTLETS TO THE RAINWATER TANK ARE TO HAVE SUITABLE MEASURES PROVIDED TO PREVENT MOSQUITO AND VERMIN ENTRY.

**EROSION AND SEDIMENT NOTES:**

- THESE THE PLANS SHALL BE READ IN CONJUNCTION WITH EROSION AND SEDIMENT CONTROL DETAILS AS ATTACHED
- THE CONTRACTOR SHALL IMPLEMENT ALL SOIL EROSION AND SEDIMENT CONTROL MEASURE AS NECESSARY AND TO THE SATISFACTION OF THE RELEVANT LOCAL AUTHORITY PRIOR TO THE COMMENCEMENT ANY DURING CONSTRUCTION. NO DISTURBANCE TO THE SITE SHALL BE PERMITTED OTHER THAN IN THE IMMEDIATE AREA OF THE WORKS AND NO MATERIAL SHALL BE REMOVED FROM THE SITE WITHOUT THE RELEVANT LOCAL AUTHORITY APPROVAL. ALL EROSION AND SEDIMENT CONTROL DEVICES TO BE INSTALLED AND MAINTAINED IN ACCORDANCE WITH STANDARDS OUTLINED IN NSW DEPARTMENT OF HOUSING'S "MANAGING URBAN STORMWATER - SOILS AND CONSTRUCTIONS"
- TOPSOIL SHALL BE STRIPPED AND STOCKPILED OUTSIDE HAZARD AREA SUCH AS DRAINAGE LINES. THIS TOPSOIL SHALL BE RESPREAD LATER ON AREAS TO BE REVEGETATED AND STABILIZED ONLY. TOPSOIL SHALL NOT BE RESPREAD ON ANY OTHER AREA UNLESS SPECIFICALLY INSTRUCTED BY THE SUPERINTENDENT. IF THEY ARE TO REMAIN LONGER THAN ONE MONTH STOCK PILES SHALL BE PROTECTED FROM EROSION BY COVERING THEM WITH A MULCH AND HYDROSEEDING AND, IF NECESSARY, BY LOCATING BANKS OR DRAINS DOWNSTREAM OF A STOCKPILE TO RETARD SILT LADEN RUNOFF
- THE CONTRACTOR SHALL REGULARLY MAINTAIN ALL EROSION AND SEDIMENT CONTROL DEVICES AND REMOVE ACCUMULATED SILT FROM SUCH DEVICES SUCH THAT MORE THAN 60% OF THEIR CAPACITY IS LOST. ALL THE SILT IS TO BE PLACED OUTSIDE THE LIMIT OF WORKS. THE PERIOD FOR MAINTAINING THESE DEVICES SHALL BE AT LEAST UNTIL ALL DRISTURBED AREAS ARE REVEGETATED AND FURTHER AS MAY BE DIRECTED BY SUPERINTENDENT. OR COUNCIL
- VEHICULAR TRAFFIC SHALL BE CONTROLLED DURING CONSTRUCTION CONFINING ACCESS WHERE POSSIBLE TO NOMINATED STABILISED ACCESS POINTS
- THE CONTRACTOR SHALL IMPLEMENT DUST CONTROL BY REGULAR WETTING DOWN DISTURBED AREA
- ALL DRAINAGE PIPE INLETS TO BE CAPPED UNTIL  
- DOWNPIPES CONNECTED  
- PITS CONSTRUCTED AND PROTECTED WITH SILT BARRIER

**MINIMUM PIPE COVER NOTES:**

LOCATION	MINIMUM COVER
NO SUBJECT TO VEHICLE LOADING	100mm SINGLE RESIDENTIAL
SUBJECT TO VEHICLE LOADING	450mm WHERE NOT IN A ROAD
UNDER A SEALED ROAD	600mm
UNSEALED ROAD	750mm
PAVED DRIVEWAY	100mm PLUS DEPTH OF CONCRETE

SEE AS2032 INSTALLATION OF UPVC PIPES FOR FURTHER INFORMATION.

CONCRETE PIPE COVER SHALL BE IN ACCORDANCE WITH AS3725-1989 LOADS ON BURIED CONCRETE PIPES, HOWEVER A MINIMUM COVER OF 450mm WILL APPLY.

WHERE INSUFFICIENT COVER IS PROVIDED, THE PIPE SHALL BE COVERED AT LEAST 50mm THICK OVERLAY AND SHALL BE PAVED WITH AT LEAST:  
 - 150 mm REINFORCED CONCRETE WHERE SUBJECT TO HEAVY VEHICLE TRAFFIC  
 - 75mm THICKNESS OF BRICK OR 100mm OF CONCRETE PAVING WHERE SUBJECT TO LIGHT VEHICLE TRAFFIC, OR  
 - 50mm THICK BRICK OR CONCRETE PAVING WHERE NOT SUBJECT TO VEHICLE TRAFFIC

**SURFACE STORMWATER PIT NOTES:**

PIT DEPTH (mm)	MINIMUM PIT SIZE (mm)
UP TO 600 mm	450 x 450
FROM 600mm TO LESS THAN 900mm	600 x 600
FROM 900mm	900 x 900

ALL BASEMENT PIT TO BE FITTED WITH HEAVY DUTY CLASS C GRATE & FRAME

**LEGEND**

	DENOTES BELOW GROUND ON-SITE DETENTION TANK
	DENOTES ON-SITE DETENTION BASIN
	DENOTES #100 DOWNPIPE (U.N.O)
	DENOTES INSPECTION OPENING WITH SCREW DOWN LID AT FINISHED SURFACE LEVEL
	DENOTES PLANTER BOX DRAINS
	DENOTES SURFACE DRAINAGE GRATES
	DENOTES CLEANING EYE
	STORMWATER PIT - SOLID COVER
	STORMWATER PIT - GRATED INLET
	DENOTES GRATED DRAIN
	DENOTES ABSORPTION TRENCH
	DENOTES NON RETURN VALVE
	DENOTES OVERLAND FLOW PATH
	INVERT LEVEL
	TOP OF KERB
	REDUCED LEVEL/SURFACE LEVEL
	PROPOSED FINISH SURFACE LEVEL
	DENOTES #100mm PVC (SEWER GRADE) @1% MIN. FALL U.N.O FOR RAINWATER RE-USE
	DENOTES #100mm PVC (SEWER GRADE) @1% MIN. FALL U.N.O
	DENOTES #150mm PVC (SEWER GRADE) @1% MIN. FALL U.N.O
	DENOTES #225mm PVC (SEWER GRADE) @0.5% MIN. FALL U.N.O
	DENOTE AGG PIPE
	DENOTE RAINWATER TANK

**SCHEDULE OF DRAWING**

DESCRIPTION	SHEET NUMBER
COVER SHEET & NOTES	C1
DRAINAGE PLANS	C2
STORMWATER DETAILS	C3

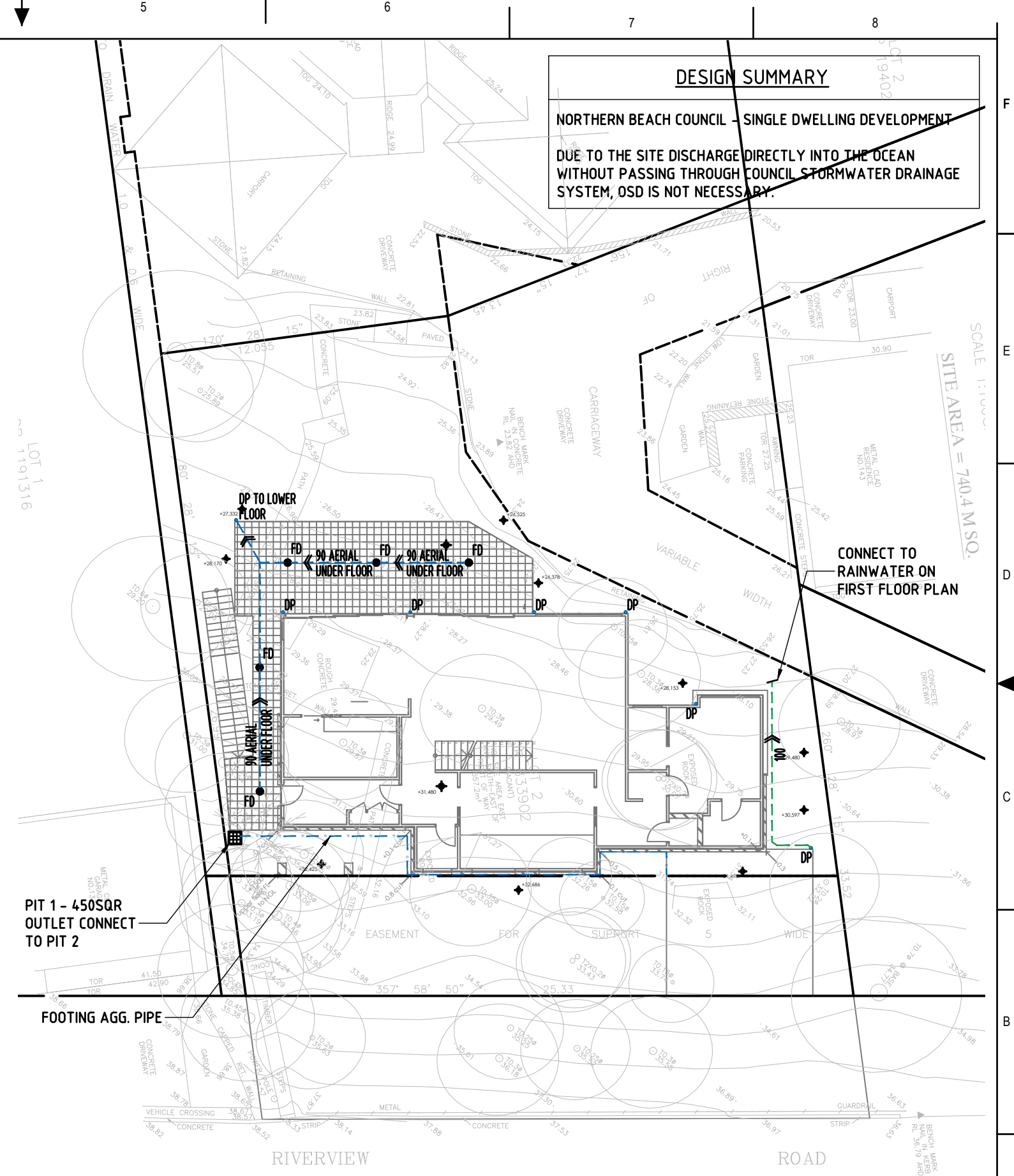
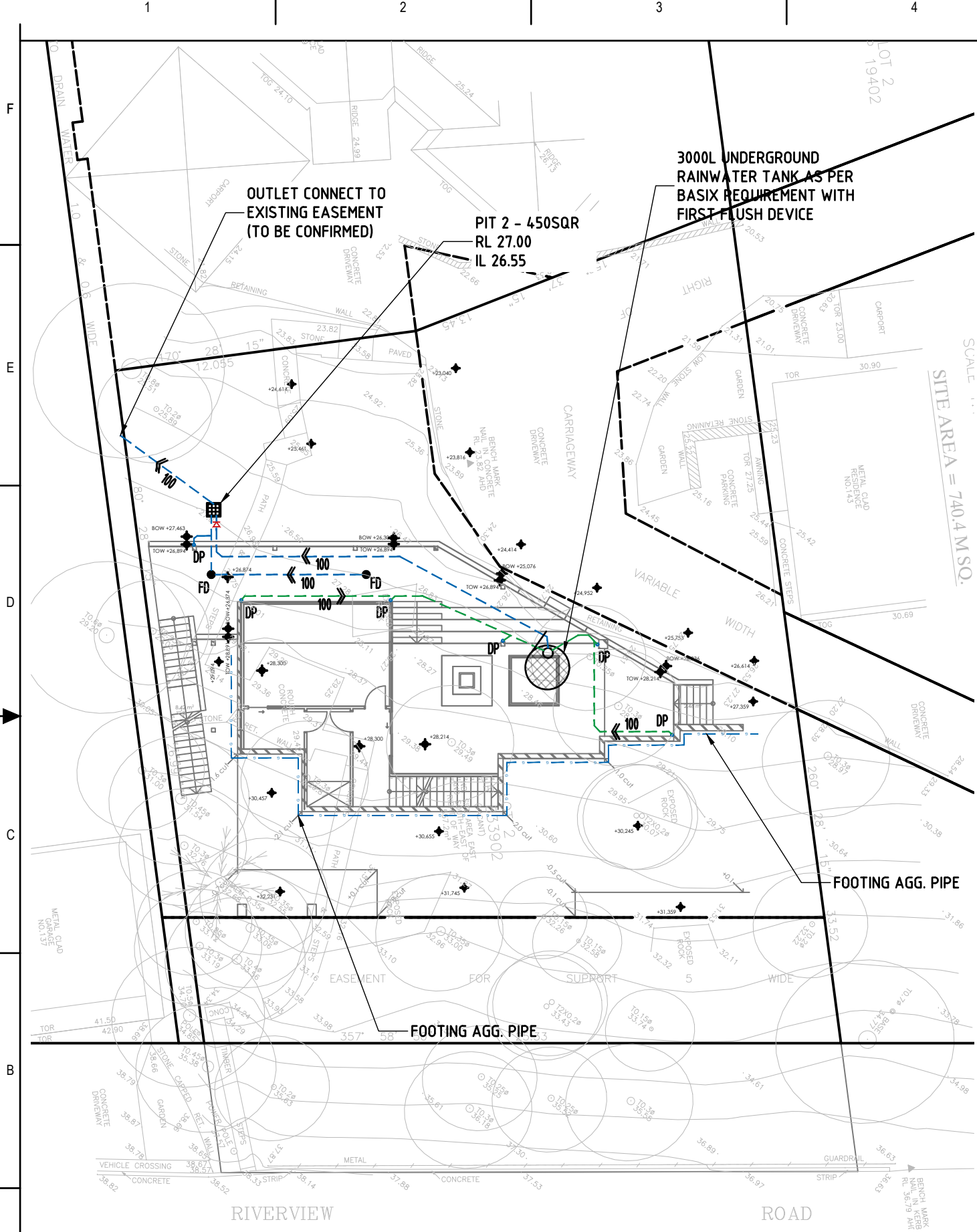
**LOCATION MAP**



ISSUE FOR APPROVAL



<b>REFERENCE COORDINATION DRAWING</b> <table border="1" style="width: 100%; border-collapse: collapse;"> <thead> <tr> <th>DISCIPLINE</th> <th>DRAWING TITLE AND NUMBER</th> <th>DATE</th> <th>REL.</th> <th>DRAWING TITLE AND NUMBER</th> <th>DATE</th> <th>REL.</th> </tr> </thead> <tbody> <tr> <td>ARCH.</td> <td></td> <td></td> <td></td> <td></td> <td></td> <td></td> </tr> <tr> <td>STRUCT.</td> <td></td> <td></td> <td></td> <td></td> <td></td> <td></td> </tr> <tr> <td>MEDIA.</td> <td></td> <td></td> <td></td> <td></td> <td></td> <td></td> </tr> <tr> <td>ELEC.</td> <td></td> <td></td> <td></td> <td></td> <td></td> <td></td> </tr> <tr> <td>HYD.</td> <td></td> <td></td> <td></td> <td></td> <td></td> <td></td> </tr> </tbody> </table>		DISCIPLINE	DRAWING TITLE AND NUMBER	DATE	REL.	DRAWING TITLE AND NUMBER	DATE	REL.	ARCH.							STRUCT.							MEDIA.							ELEC.							HYD.							<b>GENERAL NOTES:</b> * THIS DRAWING IS THE COPYRIGHT OF NASTASI & ASSOCIATES CONSULTING CIVIL & STRUCTURAL ENGINEERS. Unit 5, 1-3 Whyalla Place, Prestons NSW, 2170. PO Box 6248, Northmead, NSW, 2150. * IT IS NOT ALLOWED TO COPY OR REPRODUCE ITS CONTENTS IN ANY FORM EXCEPT FOR THE PURPOSE WHICH IT IS ISSUED WITHOUT THE ARCHITECT'S/ENGINEER'S AUTHORITY. * DO NOT SCALE THIS DRAWING, ONLY STATED DIMENSIONS ARE TO BE CONSIDERED. * CONTRACTOR TO VERIFY THE DESIGN / INFORMATION GIVEN IN THIS DRAWING. ANY DISCREPANCIES SHALL BE BROUGHT TO ENGINEERS ATTENTION PRIOR TO COMMENCEMENT OF WORK. FAILURE TO COMPLY WITH THE ABOVE WILL BE CONTRACTORS LIABILITY.		<b>QUALITY CONTROL</b> DESIGNED DATE MD 12.03.2021 CHECKED DATE		<b>APPROVED:</b>  S. NASTASI B.E., M.A.E., CPEng, Nper-3		<b>CLIENT:</b> UDAY & KAVITA BONU <b>ARCHITECT:</b> FYFFE DESIGN		<b>ADDRESS:</b> 141 RIVERVIEW ROAD, AVALON BEACH <b>TITLE:</b> COVER SHEET & NOTES		<b>DRAWING STATUS</b> CONCEPT PLAN FOR APPROVAL <b>SCALE ( AT ORIGINAL SIZE)</b> AS NOTED <b>PROJECT NO.</b> 24.956 <b>DRAWING NO.</b> C1 <b>REVISION NO.</b> A	
DISCIPLINE	DRAWING TITLE AND NUMBER	DATE	REL.	DRAWING TITLE AND NUMBER	DATE	REL.																																																	
ARCH.																																																							
STRUCT.																																																							
MEDIA.																																																							
ELEC.																																																							
HYD.																																																							



**DESIGN SUMMARY**

**NORTHERN BEACH COUNCIL - SINGLE DWELLING DEVELOPMENT**

**DUE TO THE SITE DISCHARGE DIRECTLY INTO THE OCEAN WITHOUT PASSING THROUGH COUNCIL STORMWATER DRAINAGE SYSTEM, OSD IS NOT NECESSARY.**

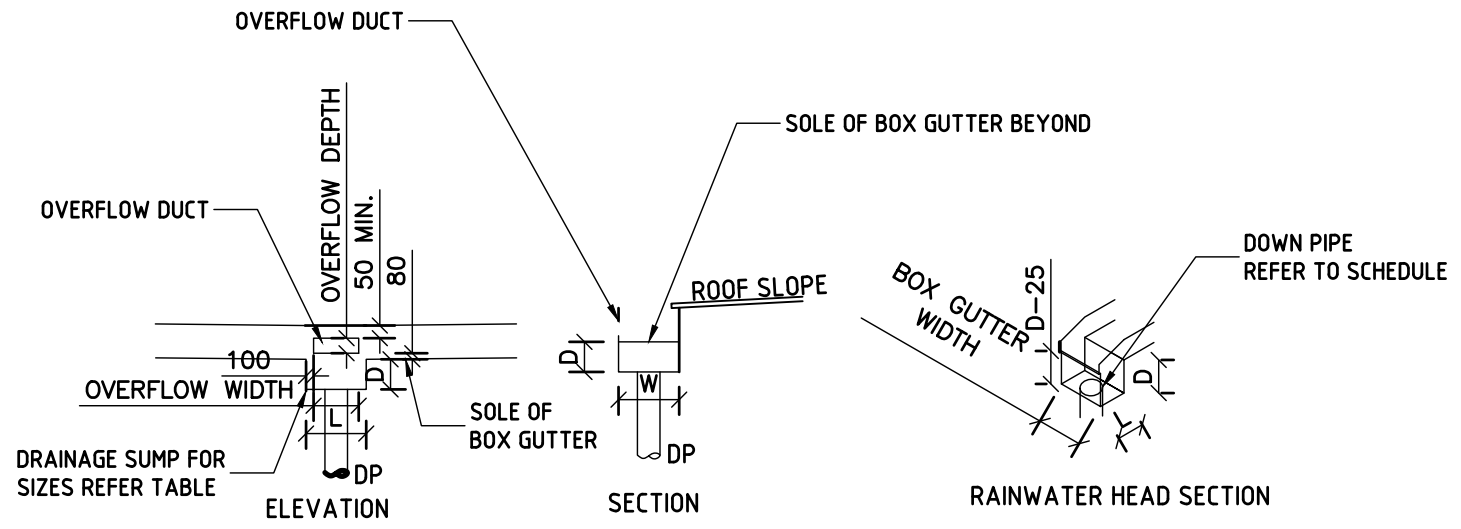
**FIRST FLOOR DRAINAGE PLAN**  
SCALE 1:200

**SECOND FLOOR DRAINAGE PLAN**  
SCALE 1:200

**ISSUE FOR APPROVAL**

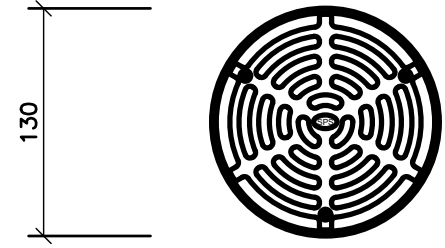


<b>REFERENCE COORDINATION DRAWING</b> <table border="1"> <thead> <tr> <th>DISCIPLINE</th> <th>DRAWING TITLE AND NUMBER</th> <th>DATE</th> <th>REV.</th> <th>DRAWING TITLE AND NUMBER</th> <th>DATE</th> <th>REV.</th> </tr> </thead> <tbody> <tr> <td>ARCH.</td> <td></td> <td></td> <td></td> <td></td> <td></td> <td></td> </tr> <tr> <td>LANDS.</td> <td></td> <td></td> <td></td> <td></td> <td></td> <td></td> </tr> <tr> <td>MECH.</td> <td></td> <td></td> <td></td> <td></td> <td></td> <td></td> </tr> <tr> <td>ELEC.</td> <td></td> <td></td> <td></td> <td></td> <td></td> <td></td> </tr> <tr> <td>HYD.</td> <td></td> <td></td> <td></td> <td></td> <td></td> <td></td> </tr> </tbody> </table>		DISCIPLINE	DRAWING TITLE AND NUMBER	DATE	REV.	DRAWING TITLE AND NUMBER	DATE	REV.	ARCH.							LANDS.							MECH.							ELEC.							HYD.							<b>GENERAL NOTES:</b> * THIS DRAWING IS THE COPYRIGHT OF INNES & ASSOCIATES CONSULTING CIVIL & STRUCTURAL ENGINEERS, Unit 5/1-3 Whyalla Place, Prestons, 2170, PO Box 6248, Homebush, NSW, 2170. * IT IS NOT ALLOWED TO COPY OR REPRODUCE ITS CONTENTS IN ANY FORM EXCEPT FOR THE PURPOSE WHICH IT IS ISSUED WITHOUT THE ARCHITECT'S AUTHORITY. * DO NOT SCALE THIS DRAWING, ONLY SIZED DIMENSIONS ARE TO BE CONSIDERED. * CONTRACTOR TO VERIFY THE DESIGN / INFORMATION GIVEN IN THIS DRAWING, ANY DISCREPANCIES SHALL BE BROUGHT TO ENGINEERS ATTENTION PRIOR TO COMMENCEMENT OF WORK, FAILURE TO COMPLY WITH THE ABOVE WILL BE CONTRACTORS LIABILITY.		 <b>NASTASI &amp; ASSOCIATES</b> CONSULTING CIVIL & STRUCTURAL ENGINEERS B.E., M.I.E. AUST. CPENG NPER-3 ABN 45 533 226 008 UNIT 5, 1-3 WHYALLA PLACE, PRESTONS NSW 2170 PH: (02) 9607 2864 OR (02) 9798 9517 FAX: (02) 9791 2081 MOB: 0419 041 401		<b>QUALITY CONTROL</b> <table border="1"> <tr> <td>DESIGNED</td> <td>DATE</td> </tr> <tr> <td>MD</td> <td>12.03.2021</td> </tr> <tr> <td>CHECKED</td> <td>DATE</td> </tr> </table>		DESIGNED	DATE	MD	12.03.2021	CHECKED	DATE	<b>APPROVED:</b>  S. NASTASI B.E., M.I.E., CPENG, NPER-3		<b>CLIENT:</b> UDAY & KAVITA BONU  <b>ARCHITECT:</b> 		<b>ADDRESS:</b> 141 RIVERVIEW ROAD, AVALON BEACH  <b>TITLE:</b> DRAINAGE PLAN		<b>DRAWING STATUS</b> CONCEPT PLAN FOR APPROVAL  <table border="1"> <tr> <td>SCALE ( AT ORIGINAL SIZE)</td> <td>AS NOTED</td> </tr> <tr> <td>PROJECT NO.</td> <td>DRAWING NO.</td> </tr> <tr> <td>24956</td> <td>C2</td> </tr> <tr> <td>REVISION NO.</td> <td>A</td> </tr> </table>		SCALE ( AT ORIGINAL SIZE)	AS NOTED	PROJECT NO.	DRAWING NO.	24956	C2	REVISION NO.	A
DISCIPLINE	DRAWING TITLE AND NUMBER	DATE	REV.	DRAWING TITLE AND NUMBER	DATE	REV.																																																																	
ARCH.																																																																							
LANDS.																																																																							
MECH.																																																																							
ELEC.																																																																							
HYD.																																																																							
DESIGNED	DATE																																																																						
MD	12.03.2021																																																																						
CHECKED	DATE																																																																						
SCALE ( AT ORIGINAL SIZE)	AS NOTED																																																																						
PROJECT NO.	DRAWING NO.																																																																						
24956	C2																																																																						
REVISION NO.	A																																																																						

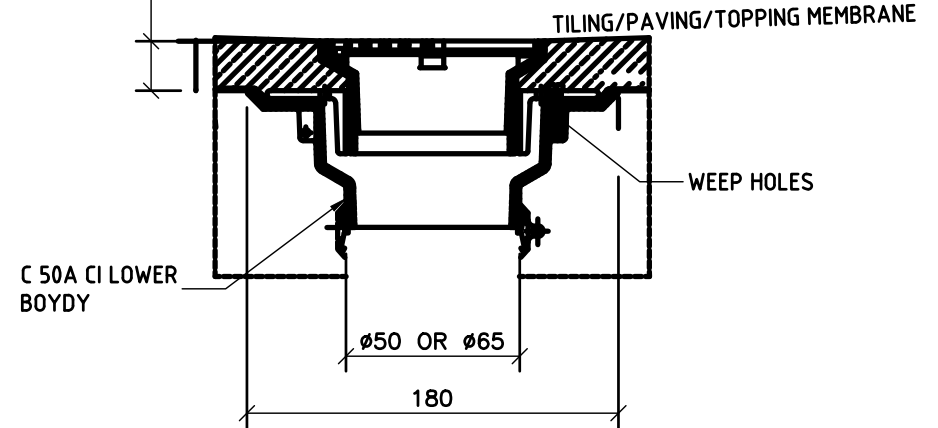


BOX GUTTER, RAINWATER HEAD & SUMP SIZING SCHEDULE					
NODE	BOX GUTTER SIZE	RAINWATER HEAD SIZE	SUMP SIZE	OVERFLOW TO SUMP	DOWNPIPE Ø mm
BG1	300 W x 150 D	250 D x 150 W	400 L x 130 D	N/A	100

**TYPICAL BOX GUTTER DETAILS WITH SUMP OVERFLOW**  
SCALE 1:20

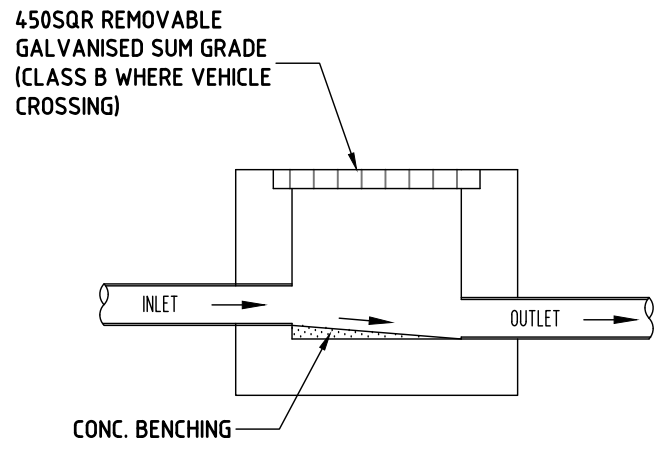


HEIGHT ADJUSTMENT:  
MIN. 22  
MAX. 68

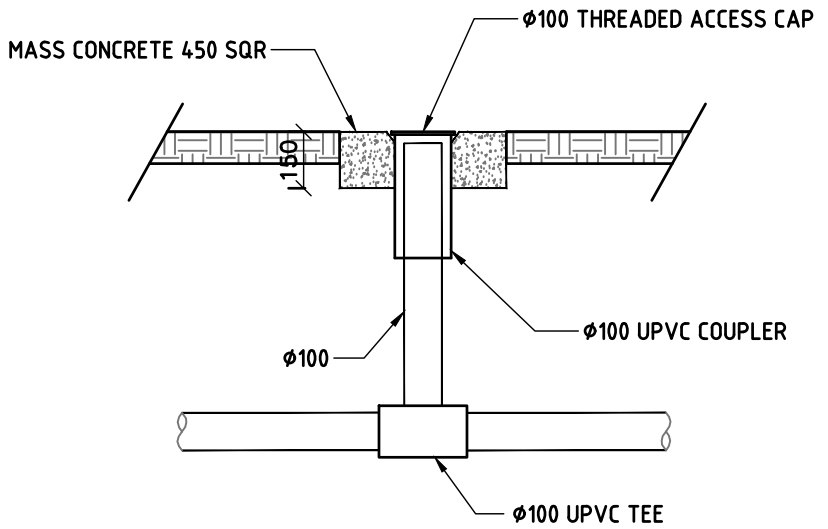


**SECTION - SPS Ø130 OR EQUIVALENT FLOOR DRAIN (FD) INLET IN SUSPENDED SLAB**  
SCALE 1:5

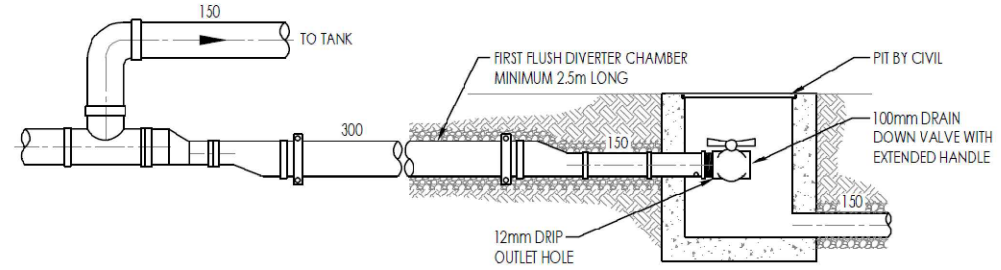
SPECIFICATION CODE:  
R130S/C (SATIN 316 STAINLESS STEEL GRATE, CI LOWER BODY)  
130S4/C (POLISHED 304 STAINLESS STEEL GRATE, CI LOWER BODY)



**TYPICAL SURFACE PIT**  
NTS



**CLEANING EYE DETAILS**  
SCALE 1:20



**INGROUND FIRST FLUSH DEVICE & FLUSH DOWN PIT**  
NOT TO SCALE

ISSUE FOR APPROVAL



REFERENCE COORDINATION DRAWING		GENERAL NOTES:		QUALITY CONTROL		APPROVED:		CLIENT:		ADDRESS:		DRAWING STATUS	
DISCIPLINE DRAWING TITLE AND NUMBER DATE REL.		* THIS DRAWING IS THE COPYRIGHT OF NASTASI & ASSOCIATES CONSULTING CIVIL & STRUCTURAL ENGINEERS. Unit 5, 1-3 Whyalla Place, Prestons, 2170. PO Box 6248, Homebush, NSW, 2170.		DESIGNED DATE		S. NASTASI		UDAY & KAVITA BONU		141 RIVERVIEW ROAD, AVALON BEACH		CONCEPT PLAN FOR APPROVAL	
ARCH. DATE REL.		* IT IS NOT ALLOWED TO COPY OR REPRODUCE ITS CONTENTS IN ANY FORM EXCEPT FOR THE PURPOSE WHICH IT IS ISSUED WITHOUT THE ARCH. CONSULTANT'S AUTHORITY.		MD 12.03.2021		B.E., M.A.E., CPEng, Nper-3		ARCHITECT:		TITLE:		SCALE ( AT ORIGINAL SIZE) AS NOTED	
MECH. DATE REL.		* DO NOT SCALE THIS DRAWING, ONLY SIZED DIMENSIONS ARE TO BE CONSIDERED.		CHECKED DATE		F.YFFE DESIGN		STORMWATER DETAILS		PROJECT NO. DRAWING NO. REVISION NO.		24.956 C3 A	
ELEC. DATE REL.		* CONTRACTOR TO VERIFY THE DESIGN / INFORMATION GIVEN IN THIS DRAWING. ANY DISCREPANCIES SHALL BE BROUGHT TO ENGINEERS ATTENTION PRIOR TO COMMENCEMENT OF WORK, FAILURE TO COMPLY WITH THE ARCH. WILL BE CONTRACTORS LIABILITY.		NASTASI & ASSOCIATES CONSULTING CIVIL & STRUCTURAL ENGINEERS B.E., M.A.E. AUST. CPENG NPER-3		UNIT 5, 1-3 WHYALLA PLACE, PRESTONS NSW 2170 PH: (02) 9607 2964 OR (02) 9749 9017 FAX: (02) 9751 2081 MOB: 0419 041 401		FYFFE DESIGN		24.956 C3 A			
ISSUE DATE													