

PROVIDE 'SPS TRUFLO 100mm WITH ALL-PURPOSE PLANTER BOX ADAPTOR' OR EQUIVALENT TO PLANTER AREAS (TYP)

NOTE: CHECK & LOCATE DEPTH OF EXISTING MAINS & SERVICES PRIOR TO CONSTRUCTION OF STORMWATER SYSTEM AS VARIATIONS IN POSITION OF MAINS COULD AFFECT DRAINAGE CONSTRUCTION DETAILS

SECURE DRAINAGE LINES TO UNDERSIDE OF FLOOR STRUCTURE AS NECESSARY FOR CONNECTION TO BOUNDARY PIT (TYP)

300 SQ. BY 300 DEEP INLET PIT NOTE: ALL PITS TO HAVE 2.0M LONG SUB-SOIL TAIL INLET

SELECT SLOT DRAIN IN-SITU IN SLAB

PROVIDE 2/Ø100 P.V.C. OUTLETS TO KERB AT 1% MIN. AND 150mm APART

BENCHMARK CUT IN KERB R.L. 31.63 (A.H.D.)

150 WIDE GRATED DRAIN (TYP)

450 SQ BY 400 DEEP BOUNDARY PIT

Ø100 'TRUFLO' FLOOR WASTE TYPICAL ALL DECK SLAB WASTE CONNECTIONS

300 SQUARE JUNCTION PIT

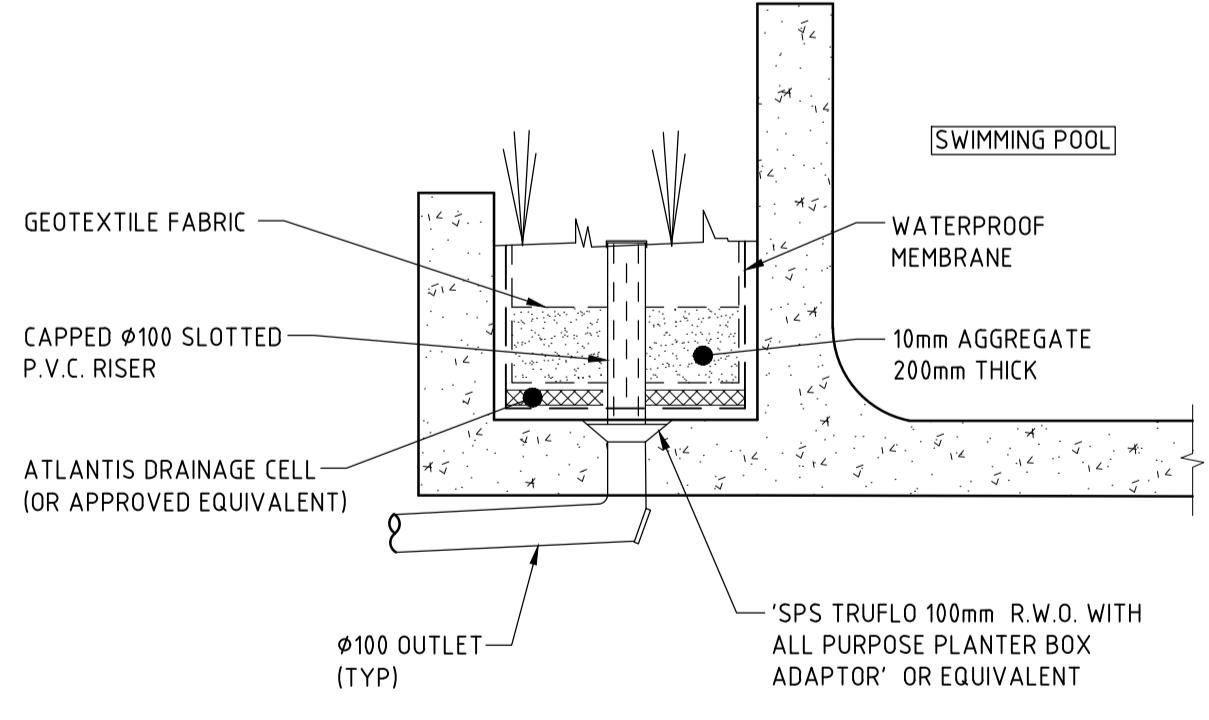
PROVIDE Ø100 DOWNPIPE (TYP)

PROVIDE SPREADER FOR DISCHARGE OF RUNOFF FROM UPPER TO LOWER ROOF AREA (TYP)

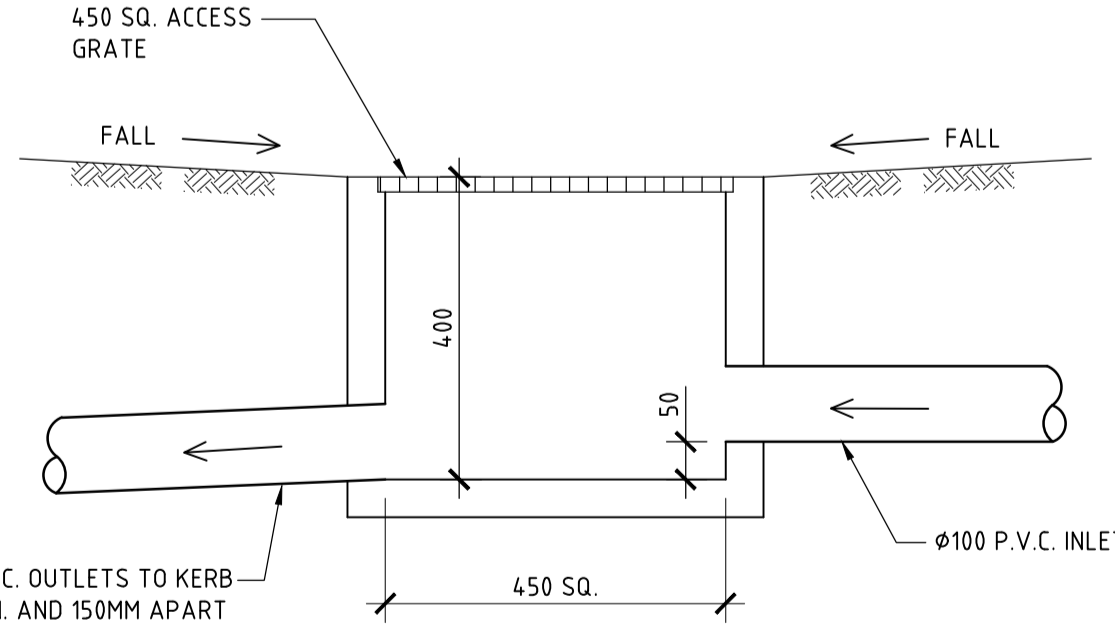
NOTE: PLUMBER TO PERFORM WATER TESTING OF EXISTING PIPED SYSTEM TO DETERMINE CAPACITY AND STATE OF REPAIR. PLUMBER TO INSPECT & REPAIR DAMAGED SECTIONS OF EXISTING PIPE (INCLUDING DOWNPIPES) AS NECESSARY OR PROVIDE NEW DRAINAGE LINES WHERE NECESSARY SUBJECT TO THE APPROVAL BY THE SUPERVISING ENGINEER.

STORMWATER MANAGEMENT PLAN
SCALE 1:100

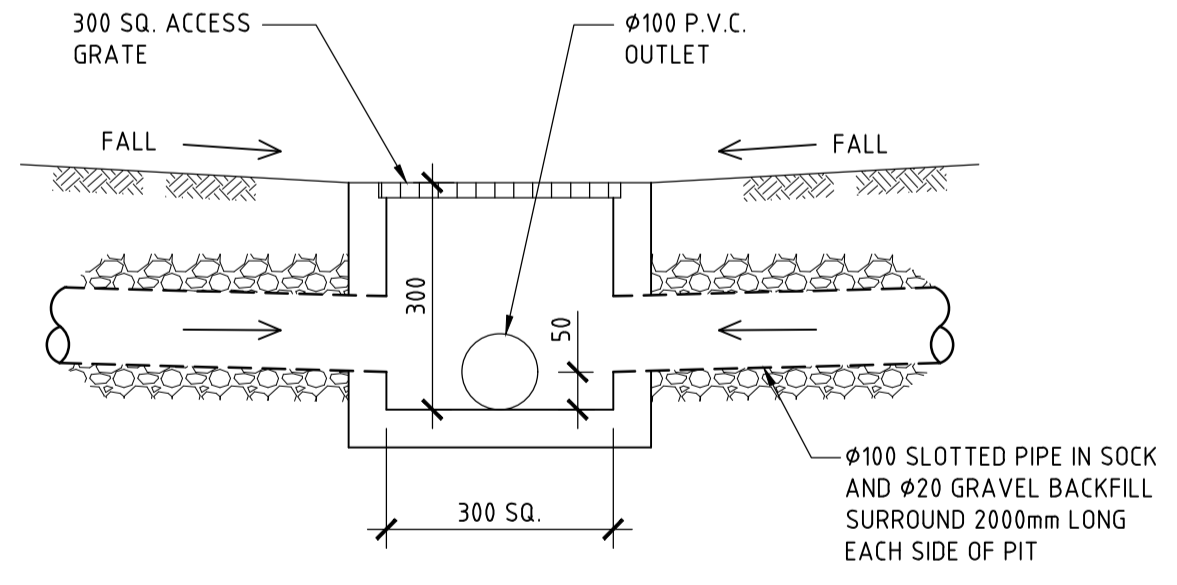
- DRAINAGE NOTES**
- DENOTES EXISTING GROUND LEVEL
 - FALL STORMWATER PIPES AT 1% MIN UNLESS OTHERWISE NOTED.
 - SUB-SOIL DRAINAGE TO BE CONNECTED TO THE SITE DRAINAGE SYSTEM AS NECESSARY.
 - SURFACE GRATES 300 SQ. UNLESS OTHERWISE NOTED.
 - ALL STORMWATER PIPES TO HAVE SOLVENT CEMENT WATERTIGHT JOINTS.
 - CHECK & LOCATE DEPTH OF EXISTING MAINS & SERVICES PRIOR TO CONSTRUCTION OF STORMWATER SYSTEM AS VARIATIONS IN POSITION OF MAINS COULD AFFECT DRAINAGE CONSTRUCTION DETAILS.
 - INSPECTIONS MUST BE UNDERTAKEN BY THIS OFFICE (BY PRIOR ARRANGEMENT WITH ENGINEER) DURING CONSTRUCTION TO ENABLE FULL CERTIFICATION UPON COMPLETION OF WORKS.
 - ALL CONSTRUCTION OF COUNCIL DRAINAGE WORKS TO COMPLY WITH COUNCIL STANDARD.
 - REMOVE REDUNDANT DRAINAGE PITS AND SEAL PIPES.
 - PIT BENCHING TO BE HALF THE OUTGOING PIPE DIAMETER. CONCRETE FOR BENCHING TO BE 20 MPa MASS CONCRETE.
 - APPROVED PRE-CAST PITS MAY BE USED.
 - ALL PIPES TO BE LAID ON COMPACTED FINE CRUSHED ROCK OR SAND BEDDING 75mm THICK & PIPES BACKFILLED WITH COMPACTED SAND TO 300mm ABOVE TOP OF PIPE, ELSE ATTACHED TO UNDERSIDE OF STRUCTURE AT 600mm c/c AS NECESSARY.
 - PIPE ROUTES SHOWN ARE INDICATIVE ONLY AND SHOULD BE AS NECESSARY ACCORDING TO SITE CONDITIONS, TREE POSITIONS ETC. CONFIRM SIGNIFICANT CHANGES IN PIPES SYSTEM DETAILS WITH SUPERVISING ENGINEER PRIOR TO COMMENCEMENT OF DRAINAGE CONSTRUCTION WORKS.
 - CONTRACTOR SHALL ENSURE THAT SERVICES TO BUILDINGS NOT AFFECTED BY THE WORKS ARE NOT DISRUPTED. CONTRACTOR SHALL CONSTRUCT TEMPORARY SERVICES TO MAINTAIN EXISTING SUPPLY TO BUILDINGS WHERE REQUIRED. ONCE WORKS ARE COMPLETE AND COMMISSIONED THE CONTRACTOR SHALL REMOVE ALL TEMPORARY SERVICES AND MAKE GOOD ALL DISTURBED AREAS.
 - STORMWATER SYSTEM REQUIRES SIGNIFICANT MAINTENANCE DUE TO POTENTIAL HIGH POLLUTANT LOAD. FILTERS AND POLLUTANT TRAPS SHOULD BE CHECKED AFTER LARGE STORM EVENTS AND CLEANED EVERY 6 MONTHS.
 - PLUMBING AND DRAINAGE WORKS TO COMPLY WITH AS-3500, THE NATIONAL DRAINAGE & PLUMBING CODE.
 - WHERE POSSIBLE DRAINAGE LINES SHALL BE LAID IN AREAS PREVIOUSLY DISTURBED BY OTHER SITE WORKS AND FOLLOW TOPOGRAPHICAL FEATURES TO REDUCE IMPACT AND AVOID TREE ROOTS.
 - THIS STORMWATER MANAGEMENT PLAN HAS BEEN PREPARED FOR D.A. SUBMISSION TO COUNCIL AND DOES NOT NECESSARILY CONTAIN ALL APPROPRIATE INFORMATION TO ENABLE FOR ISSUE TO PLUMBER/BUILDER FOR CONSTRUCTION. CONTACT TAYLOR CONSULTING FOR MORE INFORMATION.



DETAIL A
SCALE 1:20
SHOWING TYPICAL PLANTER BOX DETAIL



DETAIL B
SCALE 1:10
TYPICAL BOUNDARY PIT DETAIL



DETAIL C
SCALE 1:10
TYPICAL SURFACE INLET PIT DETAIL

STORMWATER SYSTEM DESIGN DATA	
SITE DATA	
SITE AREA = 1096.38 m ² (100%)	
PROPOSED IMPERVIOUS AREA = 577.47 m ² (52.67%)	
PROPOSED LANDSCAPED AREA = 518.91 m ² (47.32%)	
EXISTING IMPERVIOUS AREA = 331.27 m ² (30.21%)	
EXISTING LANDSCAPED AREA = 765.11 m ² (69.79%)	

ISSUE DATE	REVISION
3SEP19	CHANGES MADE TO SUIT NEW ARCHITECTURAL PLANS

TITLE			
STORMWATER CONCEPT PLAN			
67 MARINE PARADE, AVALON			
DRAWN	DATE	CHECKED	SCALE @ A1
ALG	1 MAY 2019	<i>[Signature]</i>	1:100 1:20 1:10

TAYLOR CONSULTING
CIVIL & STRUCTURAL ENGINEERS

DRAMA 100 SHEET -1A