

- NOTES:**
1. U.N.O REFER TO THE COVERPAGE CP100 SERIES FOR DETAILED NOTES AND CALCULATIONS.
  2. ALL DIMENSIONS SHALL BE VERIFIED ONSITE BY BUILDER BEFORE COMMENCING WITH WORK.

**SEDIMENT AND EROSION CONTROL NOTES:**

1. SILT FENCE AND ASSOCIATED WORKS INCLUDING INTERCEPTOR DRAIN IS TO BE INSTALLED BEFORE THE COMMENCEMENT OF ANY EXCAVATION.
2. GEOTECHNICAL ENGINEER IS TO PROVIDE SITE STABILITY REQUIREMENTS. CUTS ARE TO BE EXECUTED TO THE REQUIRED LEVEL USING CONVENTIONAL EXCAVATION MACHINERY. AS A GUIDE, INITIALLY THE DEPTH OF FILL/CLAY IS TO BE ESTABLISHED TO ENSURE NEIGHBOURING PROPERTIES ARE NOT ADVERSELY AFFECTED. EARTH BATTERS TO BE A MAXIMUM SLOPE OF 1.0m VERT. TO 1.7m HORIZ. (AS PER GEOTECHNICAL REPORT). ANY BATTERS GREATER THAN 1.0m VERT. TO 1.7m HORIZ. ARE TO BE ADEQUATELY SHORED IN ACCORDANCE WITH GEOTECHNICAL ENGINEERS DETAILS AND INSTRUCTIONS.
3. ANY PERMANENT RETAINING STRUCTURE IS TO BE CONSTRUCTED IN ACCORDANCE WITH THE ENGINEERS DETAILS AND INSTRUCTIONS.
4. ALL PERMANENT RETAINING STRUCTURES ARE TO BE COMPLETED WITH MINIMUM DELAY FOLLOWING EXCAVATION.
5. ALL EROSION AND SEDIMENT CONTROL MEASURES TO BE INSPECTED AND MAINTAINED DAILY BY SITE MANAGER.
6. CONTRACTOR TO MINIMISE DISTURBED AREAS.
7. ALL STOCKPILES TO BE CLEAR FROM DRAINS, GUTTERS AND FOOTPATHS.
8. DRAINAGE IS TO BE CONNECTED TO STORMWATER SYSTEM AS SOON AS POSSIBLE.
9. ROADS AND FOOTPATH TO BE SWEEP DAILY.
10. CONSTRUCTION VEHICLES ARE TO LEAVE AND ENTER THE SITE OVER ALL WEATHER SURFACE CONSISTING OF COURSE CRUSHED STONE OR BLUE METAL CONSTRUCTED WITHIN THE FRONT SETBACK AREA OPPOSITE THE EXISTING FOOTPATH CROSSING UNLESS NOTED OTHERWISE.
11. EXCAVATION MACHINERY ARE TO BE UNLOADED AND LOADED UPON THIS ALL WEATHER SURFACE. CONCRETE PUMPS AND TRUCKS WILL ALSO UTILISE THE ALL WEATHER SURFACE FOR THEIR OPERATIONS.
12. MATERIALS WILL BE UNLOADED UPON THE ALL WEATHER SURFACE WITHIN THE FRONT SETBACK AREA BY MEANS OF CRANES MOUNTED ON THE BACK OF DELIVERY TRUCKS OR UNLOADED BY HAND. A MOBILE CRANE MAY BE REQUIRED DURING THE CONSTRUCTION PROCESS.
13. SOME STOCKPILING OF TOPSOIL REMOVED FROM THE BUILDING AREA MAY BE STORED ON THE SITE DURING THE CONSTRUCTION WITHIN THE PROPERTY IN AN AREA ENCLOSED WITHIN THE SEDIMENT CONTROL FENCING.
14. ALL EXCAVATED & CONSTRUCTION MATERIALS, SHED, SKIP BINS, TEMPORARY WATER CLOSETS, SPOIL AND EQUIPMENT, ETC SHALL BE KEPT WITHIN THE PROPERTY. NO VEHICLES OR MACHINES SHALL BE KEPT WITHIN THE PROPERTY. NO VEHICLES OR MACHINES SHALL STAND ON COUNCIL FOOTPATHS FOR LARGE LENGTHS OF TIME.
15. ALL RUBBISH & RECYCLABLE MATERIAL SHALL BE STOCKPILED IN WASTE BINS IN THE AREA NOMINATED ON THE SITE PLAN WITHIN THE SITE BOUNDARY. PUBLIC PROPERTY SHALL BE KEPT FREE OF RUBBISH AND RECYCLABLES AT ALL TIMES ANY WASTE MATERIALS SHALL BE REGULARLY COLLECTED FROM THE SITE AND DISPOSED OF IN AN APPROPRIATE FASHION.
16. ANY BUILDING OR DEMOLITION WORKS INVOLVING ASBESTOS SHALL BE CARRIED OUT IN ACCORDANCE WITH THE RELEVANT STANDARDS.
17. VEHICLES LEAVING THE SITE WILL DO SO VIA THE ALL WEATHER BALLAST DRIVEWAY MADE OF COURSE AGGREGATE OR SIMILAR LOCATED WITHIN THE FRONT SETBACK AREA OF THE DEVELOPMENT. ANY DIRT OR MATERIAL DEPOSITED ON THE ROAD RESERVE OR ROADWAY IS TO BE PROMPTLY CLEANED.
18. ANY EXCAVATED AREA REQUIRING SUPPORT WILL BE UNDERTAKEN BY THE OWNER USING STRUCTURALLY APPROVED RETAINING STRUCTURES.
19. ADEQUATE SAFETY SIGNAGE MUST BE ERECTED IN A PROMINENT POSITION ON THE WORK SITE, WARNING OF UNAUTHORISED ENTRY TO WORK SITE AND INTENDING DANGERS.
20. SAFETY FENCES SHALL BE PROVIDED AROUND ALL BOUNDARIES UNLESS A CONTINUOUS STRUCTURALLY ADEQUATE FENCE PRESENTLY EXISTS. THE FENCING SHALL BE ADEQUATE TO RESTRICT PUBLIC ACCESS TO THE SITE WHEN BUILDING WORK IS NOT IN PROGRESS OR THE SITE IS UNOCCUPIED.
21. NOISE LEVELS SHALL NOT EXCEED COUNCIL REGULATION LEVELS. BUILDING AND DEMOLITION WORKS SHALL ONLY BE CARRIED OUT BETWEEN HOURS AND DAYS SPECIFIED BY COUNCIL.
22. GEOTEXTILE FABRIC SHALL BE PLACED ON THE INSIDE OF THE SITE FENCING PRIOR TO SITE DISTURBANCE TO PREVENT SEDIMENT WASHING FROM CLEARED AND DISTURBED AREAS OF THE SITE INTO THE STORMWATER SYSTEM. DURING CONSTRUCTION, UNLESS OTHERWISE NOTED, UNCONTAMINATED RUNOFF FROM CLEARED OR DISTURBED AREAS ARE TO BE DIRECTED TO A TEMPORARY SILT ARRESTOR PIT THAT SHALL BE PROVIDED WITHIN THE SITE AT THE STREET BOUNDARY PROCESSING SITE STORMWATER BEFORE IT IS DISCHARGED TO THE STREET DRAINAGE SYSTEM OR WATERCOURSE.
23. ALL TOP SOIL STRIPPED & STOCKPILED ONSITE IS TO BE PLACED IN NOMINATED AREAS ON PLAN OR TO COUNCIL REQUIREMENTS. ALL DISTURBED AREAS ARE TO BE STABILISED UPON THE COMPLETION OF BUILDING WORKS.
24. ALL SEDIMENT CONTROL STRUCTURES ARE TO BE CONTINUALLY MAINTAINED DURING CONSTRUCTION AND INSPECTED FOR STRUCTURAL DAMAGE AFTER EACH RAINFALL EVENT, WITH TRAPPED SEDIMENT BEING REMOVED TO THE TOPSOIL STOCKPILE.
25. WHERE THERE IS THE POTENTIAL OF SITE EROSION TO PRODUCE EXCESSIVE SEDIMENT RUNOFF, SUITABLE GEOTEXTILE BARRIERS SHALL BE PLACED TO ALLEVIATE THE RISK ACCORDINGLY. BARE SURFACES SHALL BE KEPT MOIST TO REDUCE DUST LEVELS. GEOTEXTILE FABRIC LOCATED ON THE INSIDE OF FENCES SHALL ALSO BE UTILISED FOR DUST CONTROL WHERE NECESSARY.
26. ALL WORK SHALL BE GENERALLY CARRIED OUT IN ACCORDANCE WITH:
  - a) LOCAL AUTHORITY REQUIREMENTS
  - b) EPA - POLLUTION CONTROL MANUAL FOR URBAN STORMWATER
  - c) LANDCOM NSW - MANAGING URBAN STORMWATER: SOILS AND CONSTRUCTION ("BLUE BOOK")
27. PRIOR TO DISCHARGE OF SITE STORMWATER, GROUNDWATER AND SEEPAGE WATER INTO COUNCIL'S STORMWATER SYSTEM, CONTRACTORS MUST UNDERTAKE WATER QUALITY TESTS IN CONJUNCTION WITH A SUITABLY QUALIFIED ENVIRONMENTAL CONSULTANT OUTLINED THE FOLLOWING:
  - a) COMPLIANCE WITH THE CRITERIA OF THE AUSTRALIAN AND NEW ZEALAND GUIDELINES FOR FRESH AND MARINE WATER QUALITY (2000)
  - b) IF SUBJECT TO THE ENVIRONMENTAL CONSULTANTS ADVICE, PROVIDE REMEDIAL MEASURES TO IMPROVE THE QUALITY OF WATER THAT IS TO BE DISCHARGED INTO COUNCIL'S STORMWATER DRAINAGE SYSTEM. THIS SHOULD INCLUDE COMMENTS FROM A SUITABLY QUALIFIED ENVIRONMENTAL CONSULTANT CONFIRMING THE SUITABILITY OF THESE REMEDIAL MEASURES TO MANAGE THE WATER DISCHARGED FROM THE SITE INTO COUNCIL'S STORMWATER DRAINAGE SYSTEM. OUTLINING THE PROPOSED, ONGOING MONITORING, CONTINGENCY PLANS AND VALIDATION PROGRAM THAT WILL BE IN PLACE TO CONTINUALLY MONITOR THE QUALITY OF WATER DISCHARGED FROM THE SITE. THIS SHOULD OUTLINE THE FREQUENCY OF WATER QUALITY TESTING THAT WILL BE UNDERTAKEN BY A SUITABLY QUALIFIED ENVIRONMENTAL CONSULTANT.

**NOTE:** PIT, PIPE & DOWNPIPE LOCATIONS ARE INDICATIVE ONLY & MAY VARY DUE TO CONSTRAINTS. IF IN DOUBT, ASK!

**WARNING!** CARE WHEN DIGGING AROUND TREE ROOTS. HAND DIGGING ONLY! MAY REQUIRE ARBORIST SUPERVISION.

**NOTE:**  
THE BUILDER/CONTRACTOR SHALL LOCATE ALL EXISTING PUBLIC UTILITY SERVICES WITHIN THE SITE, FOOTPATH AREA AND ROAD RESERVE PRIOR TO THE COMMENCEMENT OF ANY WORKS. ALL LOCATIONS AND LEVELS OF SERVICES SHALL BE REPORTED TO THE STORMWATER ENGINEER PRIOR TO THE COMMENCEMENT OF ANY WORKS TO ENSURE THAT THERE ARE NO OBSTRUCTIONS IN THE LINE OF THE DRAINAGE DISCHARGE PIPES.

A1 ORIGINAL			
Issued for:	DEVELOPMENT APPLICATION	Title:	DESIGN
Approved by:	<i>R. Mikhail</i>	Initial:	R.M.
Date:	10.09.21	Date:	03.09.2021
Reviewed:	R.M.	Checked:	S.M.
Date:	10.09.21	Date:	03.09.2021
Description:	STORMWATER & CIVIL ACCESS PLAN FOR DA SUBMISSION	Checked:	R.M.
Reviewed:	R.M.	Date:	08.09.2021
Date:	10.09.21	Checked:	R.M.
Description:	STORMWATER & CIVIL ACCESS PLAN FOR DA SUBMISSION	Date:	08.09.2021
Reviewed:	R.M.	Checked:	R.M.
Date:	10.09.21	Date:	08.09.2021

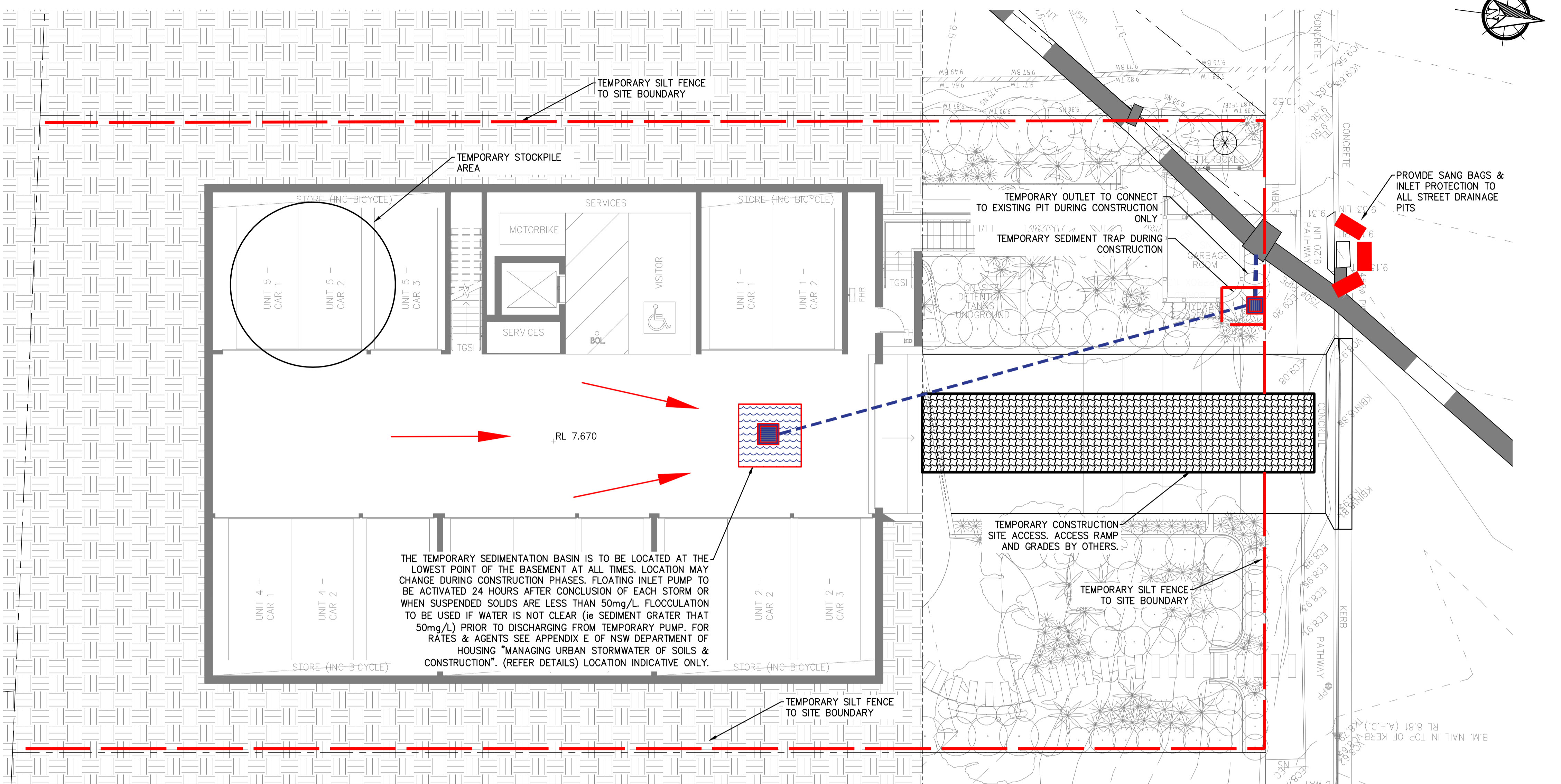
Issued for:	DEVELOPMENT APPLICATION	Title:	DESIGN	Initial:	R.M.	Date:	03.09.2021
Approved by:	<i>R. Mikhail</i>	Initial:	R.M.	Date:	03.09.2021	Checked:	S.M.
Date:	10.09.21	Date:	03.09.2021	Checked:	R.M.	Date:	08.09.2021
Reviewed:	R.M.	Checked:	R.M.	Date:	08.09.2021	Checked:	R.M.
Date:	10.09.21	Date:	08.09.2021	Checked:	R.M.	Date:	08.09.2021

**RTS CIVIL CONSULTING ENGINEERS**  
STORMWATER • CIVIL • FLOOD MITIGATION  
ABN: 81 615 065 588 Phone: 0490 507 300 Email: admin@rtscivil.com.au Web: rtscivil.com.au

Architect:	WALSH ARCHITECTS
Client:	LAXLAND GROUP PTY LTD

Project and Drawing Title:	18 ALEXANDER STREET, COLLAROY SEDIMENT & EROSION CONTROL PLAN
Local Council:	NORTHERN BEACHES COUNCIL
Project Number:	210804
Drawing ID:	SE100
Issue:	A

NOT FOR CONSTRUCTION



**SITE SEDIMENT & EROSION CONTROL PLAN**

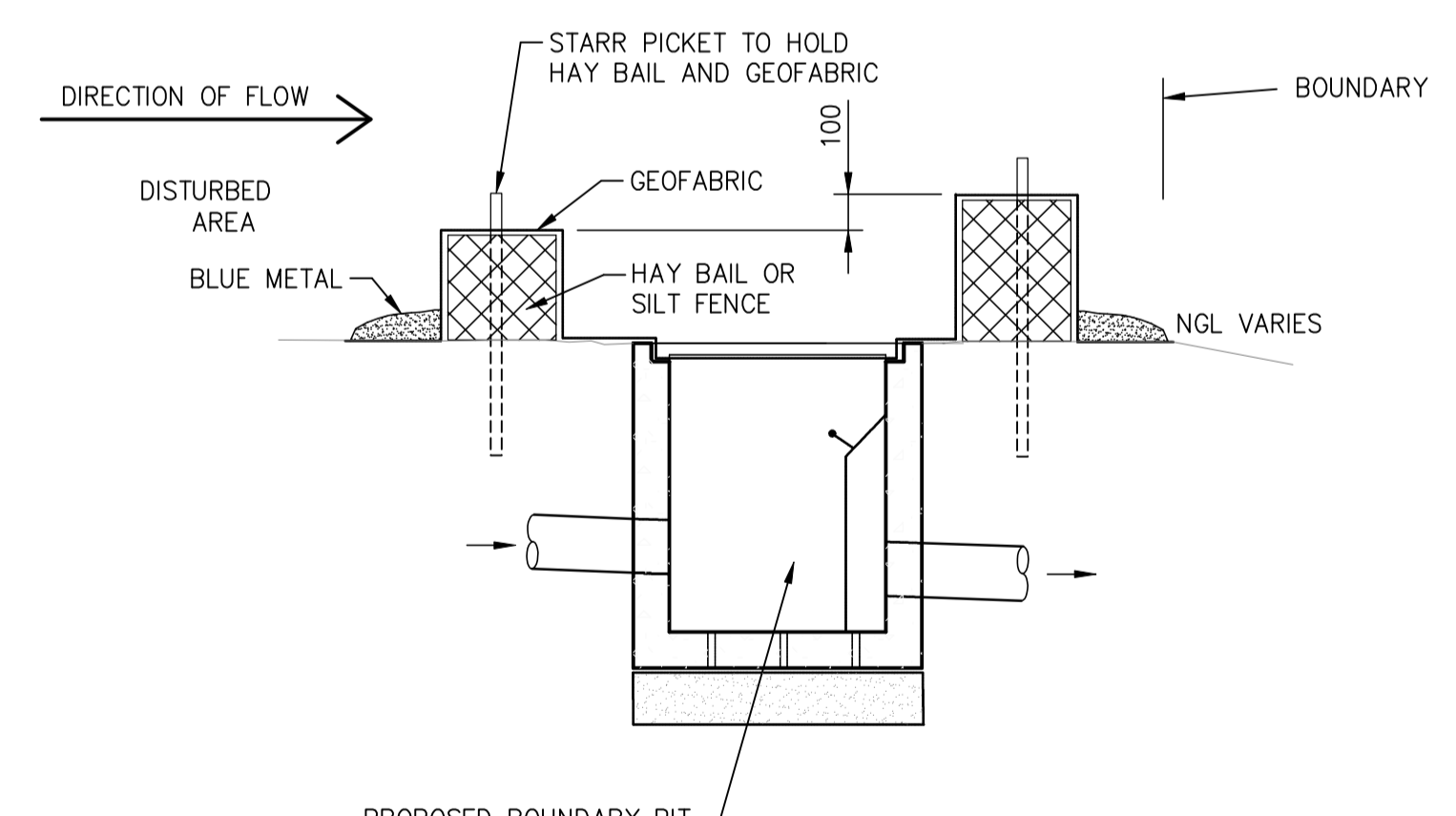
SCALE = 1 : 100

**EROSION CONTROL NOTES:**

1. SILT FENCE AND ASSOCIATED WORKS INCLUDING INTERCEPTOR DRAIN IS TO BE INSTALLED BEFORE THE COMMENCEMENT OF ANY EXCAVATION.
2. CUTS TO BE EXECUTED TO THE REQUIRED LEVEL USING CONVENTIONAL EXCAVATION MACHINERY. INITIALLY THE DEPTH OF FILL/CLAY IS TO BE ESTABLISHED TO ENSURE NEIGHBOURING PROPERTIES ARE NOT ADVERSELY AFFECTED. EARTH BATTERS TO BE A MAXIMUM SLOPE OF 1.0 m VERT. TO 1.7 m HORIZ. (AS PER GEOTECHNICAL REPORT). ANY BATTERS GREATER THAN 1.0 m VERT. TO 1.7 m HORIZ. ARE TO BE ADEQUATELY SHORED IN ACCORDANCE WITH THE ENGINEERS DETAILS AND INSTRUCTIONS.
3. ANY PERMANENT RETAINING STRUCTURE IS TO BE CONSTRUCTED IN ACCORDANCE WITH THE ENGINEERS DETAILS AND INSTRUCTIONS.
4. ALL PERMANENT RETAINING STRUCTURES ARE TO BE COMPLETED WITH MINIMUM DELAY FOLLOWING EXCAVATION.
5. ALL EROSION AND SEDIMENT CONTROL MEASURES TO BE INSPECTED AND MAINTAINED DAILY BY SITE MANAGER.
6. CONTRACTOR TO MINIMISE DISTURBED AREAS.
7. ALL STOCKPILES TO BE CLEAR FROM DRAINS, GUTTERS AND FOOTPATHS.
8. DRAINAGE IS TO BE CONNECTED TO STORMWATER SYSTEM AS SOON AS POSSIBLE.
9. ROADS AND FOOTPATH TO BE SWEEP DAILY.

**SCHEDULE OF WORKS:**

1. SILT FENCE AND ASSOCIATED WORKS INCLUDING INTERCEPTOR DRAIN IS TO BE INSTALLED BEFORE THE COMMENCEMENT OF ANY EXCAVATION.
2. CUTS TO BE EXECUTED TO THE REQUIRED LEVEL USING CONVENTIONAL EXCAVATION MACHINERY. INITIALLY THE DEPTH OF FILL/CLAY IS TO BE ESTABLISHED TO ENSURE NEIGHBOURING PROPERTIES ARE NOT ADVERSELY AFFECTED. EARTH BATTERS TO BE A MAXIMUM SLOPE OF 1.0 m VERT. TO 1.7 m HORIZ. (AS PER GEOTECHNICAL REPORT). ANY BATTERS GREATER THAN 1.0 m VERT. TO 1.7 m HORIZ. ARE TO BE ADEQUATELY SHORED IN ACCORDANCE WITH THE ENGINEERS DETAILS AND INSTRUCTIONS.
3. ANY PERMANENT RETAINING STRUCTURE IS TO BE CONSTRUCTED IN ACCORDANCE WITH THE ENGINEERS DETAILS AND INSTRUCTIONS.
4. ALL PERMANENT RETAINING STRUCTURES ARE TO BE COMPLETED WITH MINIMUM DELAY FOLLOWING EXCAVATION.



**SEDIMENT TRAP CONSTRUCTION SPECIFICATION:**

- 1 - SEDIMENT SHALL BE REMOVED AND THE TRAP RESTORED TO ITS ORIGINAL DIMENSIONS WHEN THE SEDIMENT HAS ACCUMULATED TO 1/2 THE DESIGN DEPTH OF THE TRAP. REMOVED SEDIMENT SHALL BE DEPOSITED IN A SUITABLE AREA AND IN SUCH A MANNER THAT IT WILL NOT ERODE.
- 2 - THE STRUCTURE SHALL BE INSPECTED AFTER EACH RAIN AND REPAIRED AS NEEDED.
- 3 - CONSTRUCTION OPERATIONS SHALL BE CARRIED OUT IN A MANNER, THAT EROSION AND WATER POLLUTION SHALL BE MINIMIZED.
- 4 - THE SEDIMENT TRAP SHALL BE REMOVED AND THE AREA STABILIZED WHEN THE CONSTRUCTED DRAINAGE AREA HAS BEEN PROPERLY STABILIZED.

