

PROPOSED DEVELOPMENT

LOT 23, 41 WARRIEWOOD ROAD, WARRIEWOOD

STORMWATER MANAGEMENT PLANS

GENERAL NOTES:

- THESE PLANS SHALL BE READ IN CONJUNCTION WITH OTHER RELEVANT CONSULTANTS'S PLANS, SPECIFICATIONS, CONDITIONS OF DEVELOPMENT CONSENT AND CONSTRUCTION CERTIFICATE REQUIREMENTS. WHERE DISCREPANCIES ARE FOUND NASTASI & ASSOCIATES MUST BE CONTACTED IMMEDIATELY FOR VERIFICATION.
- WHERE THESE PLANS ARE NOTED FOR DEVELOPMENT APPLICATION PURPOSES ONLY, THEY SHALL NOT BE USED FOR OBTAINING A CONSTRUCTION CERTIFICATE NOR USED FOR CONSTRUCTION PURPOSES.
- SUBSOIL DRAINAGE SHALL BE DESIGNED AND DETAILED BY THE STRUCTURAL ENGINEER. SUBSOIL DRAINAGE SHALL NOT BE CONNECTED INTO THE STORMWATER SYSTEM IDENTIFIED ON THESE PLAN UNLESS APPROVED BY NASTASI & ASSOCIATES ENGINEERS.

STORMWATER CONSTRUCTION NOTES:

- ALL WORK SHALL BE CARRIED OUT IN ACCORDANCE WITH AS/NZS 3500 (CURRENT EDITION) AND THE REQUIREMENTS OF THE LOCAL COUNCIL'S POLICIES AND CODES
- THE MINIMUM SIZE OF THE STORMWATER DRAINS SHALL NOT BE LESS THAN DN 90 FOR CLASS 1 BUILDINGS AND DN100 FOR OTHER CLASSES OF BUILDING OR AS REQUIRED BY REGULATORY AUTHORITY
- THE MINIMUM GRADIENT OF STORMWATER DRAINS SHALL BE 1%, UNLESS NOTED OTHERWISE
- COUNCIL'S TREE PRESERVATION ORDER IS TO BE STRICTLY ADHERED TO. NO TREES SHALL BE REMOVED UNTIL PERMIT IS OBTAINED
- PUBLIC UTILITY SERVICES ARE TO BE ADJUSTED AS NECESSARY AT THE CLIENT'S EXPENSE
- ALL PITS TO BE BENCHED AND STREAMLINED. PROVIDE STEP IRONS FOR ALL PITS OVER 1.2m DEEP
- MAKE SMOOTH JUNCTION WITH ALL EXISTING WORK
- VEHICULAR ACCESS AND ALL SERVICES TO BE MAINTAINED AT ALL TIMES TO ADJOINING PROPERTIES AFFECTED BY CONSTRUCTION
- SERVICES SHOWN ON THESE PLANS HAVE BEEN LOCATED FROM INFORMATION SUPPLIED BY THE RELEVANT AUTHORITIES AND FIELD INVESTIGATIONS AND ARE NOT GUARANTEED COMPLETE NOR CORRECT. IT IS THE CLIENT & CONTRACTOR'S RESPONSIBILITY TO LOCATE ALL PRIOR TO CONSTRUCTION
- ANY VARIATION TO THE WORKS AS SHOWN ON THE APPROVED DRAWINGS ARE TO BE CONFIRMED BY NASTASI & ASSOCIATES PRIOR TO THEIR COMMENCEMENT

RAINWATER RE-USE NOTES:

- RAINWATER SUPPLY PLUMBING TO BE CONNECTED TO OUTLETS WHERE REQUIRED BY BASIX CERTIFICATE (BY OTHERS)
- TOWN WATER CONNECTION TO RAINWATER TANK TO THE SATISFACTION OF THE REGULATORY AUTHORITY. THIS WAY REQUIRE PROVISION OF:
2.1 PERMANENT AIR GAP
2.2 BACKFLOW PREVENTION DEVICE
- NO DIRECT CONNECTION BETWEEN TOWN WATER SUPPLY AND THE RAINWATER SUPPLY
- AN APPROVED STOP VALVE AND/OR PRESSURE LIMITING VALVE AT THE RAINWATER TANK
- PROVIDE AT LEAST ONE EXTERNAL HOSE COCK ON THE TOWN WATER SUPPLY FOR FIRE FIGHTING
- PROVIDE APPROPRIATE FLOAT VALVES AND/OR SOLENOID VALVES TO CONTROL TOWN WATER SUPPLY INLET TO TANK IN ORDER TO ACHIEVE THE TOP-UP INDICATED ON THE TYPICAL DETAIL.
- ALL PLUMBING WORKS ARE TO BE CARRIED OUT BY LICENSED PLUMBERS IN ACCORDANCE WITH AS/NZS3500.1 NATIONAL PLUMBING AND DRAINAGE CODE
- PRESSURE PUMP ELECTRICAL CONNECTION TO BE CARRIED OUT BY A LICENSED ELECTRICIAN
- ONLY ROOF RUN-OFF IS TO BE DIRECTED TO THE RAINWATER TANK. SURFACE WATER INLETS ARE NOT BE CONNECTED
- PIPE MATERIALS FOR RAINWATER SUPPLY PLUMBING ARE TO BE APPROVED MATERIALS TO AS/NZS3500 PART 1 SECTION 2 AND TO BE CLEARLY AND PERMANENTLY IDENTIFIED AS 'RAINWATER'. THIS MAY BE ACHIEVED FOR BELOW GROUND PIPES USING IDENTIFICATION TAPE (MADE IN ACCORDANCE WITH AS2648) OR FOR ABOVE GROUND PIPES BY USING ADHESIVE PIPE MARKERS (MAKE IN ACCORDANCE WITH AS1945)
- EVERY RAINWATER SUPPLY OUTLET POINT AND THE RAINWATER TANK ARE TO BE LABELED 'RAINWATER' ON A METALLIC SIGN IN ACCORDANCE WITH AS131619
- ALL INLETS AND OUTLETS TO THE RAINWATER TANK ARE TO HAVE SUITABLE MEASURES PROVIDED TO PREVENT MOSQUITO AND VERMIN ENTRY.

EROSION AND SEDIMENT NOTES:

- THESE PLANS SHALL BE READ IN CONJUNCTION WITH EROSION AND SEDIMENT CONTROL DETAILS AS ATTACHED
- THE CONTRACTOR SHALL IMPLEMENT ALL SOIL EROSION AND SEDIMENT CONTROL MEASURE AS NECESSARY AND TO THE SATISFACTION OF THE RELEVANT LOCAL AUTHORITY PRIOR TO THE COMMENCEMENT ANY DURING CONSTRUCTION. NO DISTURBANCE TO THE SITE SHALL BE PERMITTED OTHER THAN IN THE IMMEDIATE AREA OF THE WORKS AND NO MATERIAL SHALL BE REMOVED FROM THE SITE WITHOUT THE RELEVANT LOCAL AUTHORITY APPROVAL. ALL EROSION AND SEDIMENT CONTROL DEVICES TO BE INSTALLED AND MAINTAINED IN ACCORDANCE WITH STANDARDS OUTLINED IN NSW DEPARTMENT OF HOUSING'S "MANAGING URBAN STORMWATER - SOILS AND CONSTRUCTIONS"
- TOPSOIL SHALL BE STRIPPED AND STOCKPILED OUTSIDE HAZARD AREA SUCH AS DRAINAGE LINES. THIS TOPSOIL SHALL BE RESPREAD LATER ON AREAS TO BE REVEGETATED AND STABILIZED ONLY. TOPSOIL SHALL NOT BE RESPREAD ON ANY OTHER AREA UNLESS SPECIFICALLY INSTRUCTED BY THE SUPERINTENDENT. IF THEY ARE TO REMAIN LONGER THAN ONE MONTH STOCK PILES SHALL BE PROTECTED FROM EROSION BY COVERING THEM WITH A MULCH AND HYDROSEEDING AND, IF NECESSARY, BY LOCATING BANKS OR DRAINS DOWNSTREAM OF A STOCKPILE TO RETARD SILT LADEN RUNOFF
- THE CONTRACTOR SHALL REGULARLY MAINTAIN ALL EROSION AND SEDIMENT CONTROL DEVICES AND REMOVE ACCUMULATED SILT FROM SUCH DEVICES SUCH THAT MORE THAN 60% OF THEIR CAPACITY IS LOST. ALL THE SILT IS TO BE PLACED OUTSIDE THE LIMIT OF WORKS. THE PERIOD FOR MAINTAINING THESE DEVICES SHALL BE AT LEAST UNTIL ALL DISTURBED AREAS ARE REVEGETATED AND FURTHER AS MAY BE DIRECTED BY SUPERINTENDENT OR COUNCIL.
- VEHICULAR TRAFFIC SHALL BE CONTROLLED DURING CONSTRUCTION CONFINING ACCESS WHERE POSSIBLE TO NOMINATED STABILISED ACCESS POINTS
- THE CONTRACTOR SHALL IMPLEMENT DUST CONTROL BY REGULAR WETTING DOWN DISTURBED AREA
- ALL DRAINAGE PIPE INLETS TO BE CAPPED UNTIL
 - DOWNPIPES CONNECTED
 - PITS CONSTRUCTED AND PROTECTED WITH SILT BARRIER

MINIMUM PIPE COVER NOTES:

LOCATION	MINIMUM COVER
NO SUBJECT TO VEHICLE LOADING	100mm SINGLE RESIDENTIAL
SUBJECT TO VEHICLE LOADING	450mm WHERE NOT IN A ROAD
UNDER A SEALED ROAD	600mm
UNSEALED ROAD	750mm
PAVED DRIVEWAY	100mm PLUS DEPTH OF CONCRETE

SEE AS2032 INSTALLATION OF UPVC PIPES FOR FURTHER INFORMATION.

CONCRETE PIPE COVER SHALL BE IN ACCORDANCE WITH AS3725-1989 LOADS ON BURIED CONCRETE PIPES, HOWEVER A MINIMUM COVER OF 450mm WILL APPLY.

WHERE INSUFFICIENT COVER IS PROVIDED, THE PIPE SHALL BE COVERED AT LEAST 50mm THICK OVERLAY AND SHALL BE PAVED WITH AT LEAST:

- 150 mm REINFORCED CONCRETE WHERE SUBJECT TO HEAVY VEHICLE TRAFFIC
- 75mm THICKNESS OF BRICK OR 100mm OF CONCRETE PAVING WHERE SUBJECT TO LIGHT VEHICLE TRAFFIC, OR
- 50mm THICK BRICK OR CONCRETE PAVING WHERE NOT SUBJECT TO VEHICLE TRAFFIC

SURFACE STORMWATER PIT NOTES:

PIT DEPTH (mm)	MINIMUM PIT SIZE (mm)
UP TO 600 mm	450 x 450
FROM 600mm TO LESS THAN 900mm	600 x 600
FROM 900mm	900 x 900

ALL BASEMENT PIT TO BE FITTED WITH HEAVY DUTY CLASS C GRATE & FRAME

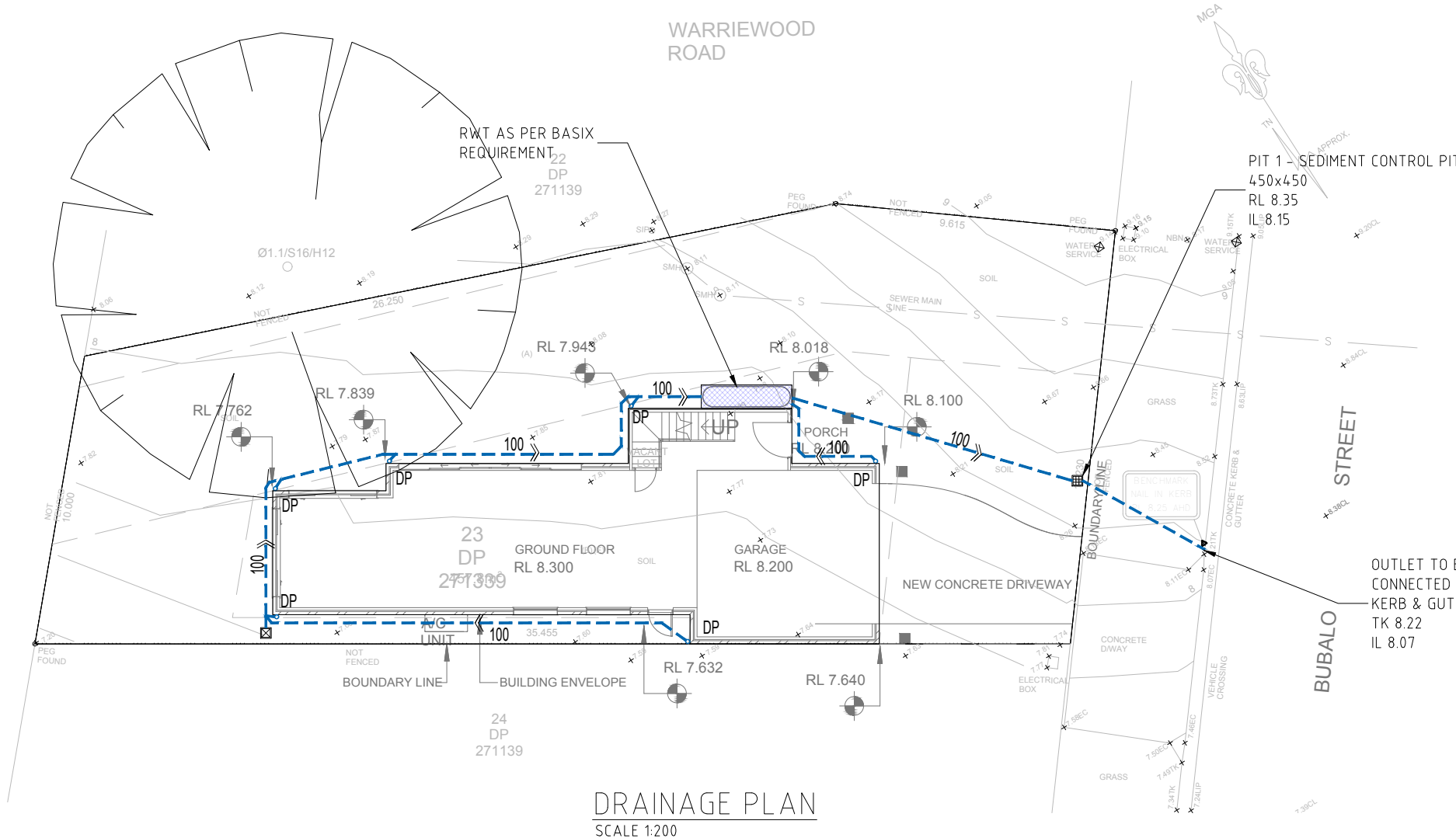
LEGEND	
	DENOTES BELOW GROUND ON-SITE DETENTION TANK
	DENOTES ON-SITE DETENTION BASIN
	DENOTES Ø150 DOWNPIPE (U.N.O)
	DENOTES INSPECTION OPENING WITH SCREW DOWN LID AT FINISHED SURFACE LEVEL
	DENOTES PLANTER BOX DRAINS
	DENOTES FLOOR DRAINS
	DENOTES CLEANING EYE
	STORMWATER PIT - SOLID COVER
	STORMWATER PIT - GRATED INLET
	DENOTES GRATED DRAIN
	DENOTES ABSORPTION TRENCH
	DENOTES NON RETURN VALVE
	DENOTES OVERLAND FLOW PATH
	INVERT LEVEL
	TOP OF KERB
	REDUCED LEVEL/SURFACE LEVEL
	PROPOSED FINISH SURFACE LEVEL
	DENOTES Ø100mm PVC (SEWER GRADE) @1% MIN. FALL U.N.O
	DENOTES Ø150mm PVC (SEWER GRADE) @1% MIN. FALL U.N.O
	DENOTES Ø100mm PVC (SEWER GRADE) @0.5% MIN. FALL U.N.O
	DENOTE AGG PIPE
	DENOTE RAINWATER TANK

SCHEDULE OF DRAWING	
DESCRIPTION	SHEET NUMBER
COVER SHEET & NOTES	C1
DRAINAGE PLANS	C2
STORMWATER DETAILS	C2

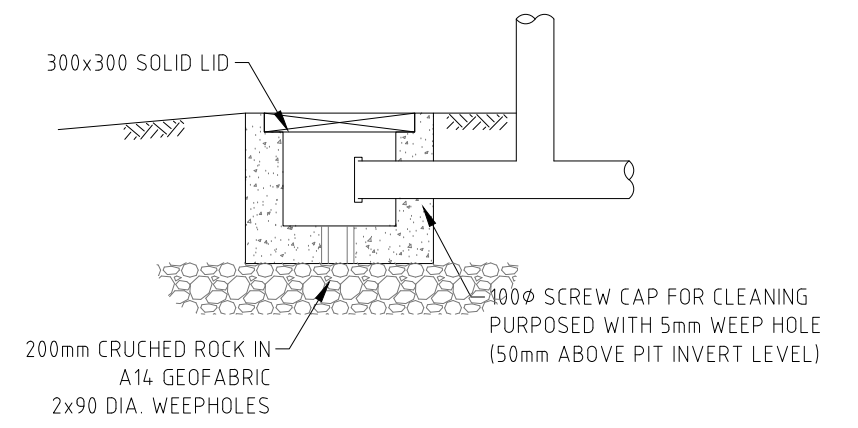
ISSUE FOR APPROVAL



REFERENCE COORDINATION DRAWING			GENERAL NOTES:			QUALITY CONTROL																																																															
<table border="1" style="width: 100%; border-collapse: collapse;"> <thead> <tr> <th>DISCIPLINE</th> <th>DRAWING TITLE AND NUMBER</th> <th>DATE</th> <th>REV.</th> <th>DRAWING TITLE AND NUMBER</th> <th>DATE</th> <th>REV.</th> </tr> </thead> <tbody> <tr> <td>ARCH.</td> <td>230247-GJGN08B</td> <td></td> <td></td> <td>FIRE</td> <td></td> <td></td> </tr> <tr> <td>STRUCT.</td> <td></td> <td></td> <td></td> <td>LANDS</td> <td></td> <td></td> </tr> <tr> <td>MECH.</td> <td></td> <td></td> <td></td> <td>CIVIL</td> <td></td> <td></td> </tr> <tr> <td>ELEC.</td> <td></td> <td></td> <td></td> <td>SURVEY</td> <td></td> <td></td> </tr> <tr> <td>HYD.</td> <td></td> <td></td> <td></td> <td></td> <td></td> <td></td> </tr> </tbody> </table>			DISCIPLINE	DRAWING TITLE AND NUMBER	DATE	REV.	DRAWING TITLE AND NUMBER	DATE	REV.	ARCH.	230247-GJGN08B			FIRE			STRUCT.				LANDS			MECH.				CIVIL			ELEC.				SURVEY			HYD.							<p>* THIS DRAWING IS THE COPYRIGHT OF NASTASI & ASSOCIATES CONSULTING CIVIL & STRUCTURAL ENGINEERS, Unit 5/1-3 Whyalla Place, Prestons, 2170, PO Box 6048, Hornsby Shire, NSW, 2170.</p> <p>* IT IS NOT ALLOWED TO COPY OR REPRODUCE ITS CONTENTS IN ANY FORM EXCEPT FOR THE PURPOSE WHICH IT IS INTENDED WITHOUT THE ABOVE CONSULTANTS' AUTHORITY.</p> <p>* DO NOT SCALE THIS DRAWING. ONLY STATED DIMENSIONS ARE TO BE CONSIDERED.</p> <p>* CONTRACTOR TO VERIFY THE DETAIL / INFORMATION GIVEN IN THIS DRAWING. ANY DISCREPANCIES SHALL BE BROUGHT TO ENGINEERS ATTENTION PRIOR TO COMMENCEMENT OF WORK. FAILURE TO COMPLY WITH THE ABOVE WILL BE CONTRACTORS LIABILITY.</p>			<table border="1" style="width: 100%; border-collapse: collapse;"> <tr> <td>DRAWN</td> <td>DATE</td> </tr> <tr> <td>DESIGNED</td> <td>DATE</td> </tr> <tr> <td>CHECKED</td> <td>DATE</td> </tr> </table>		DRAWN	DATE	DESIGNED	DATE	CHECKED	DATE	<p>APPROVED/CLIENT:</p> <p>S. NASTASI B.E., M.I.E. AUSTR., CPENG NPFR-3</p>		<p>CLIENT:</p> <p>SHERWOOD & ROBERTSON</p> <p>ARCHITECT:</p> <p>GJ GARDNER, HOMES</p>		<p>PROJECT:</p> <p>LOT 23, 41 WARRIEWOOD RD, WARRIEWOOD</p> <p>TITLE:</p> <p>COVER SHEET & NOTES</p>		<p>DRAWING STATUS</p> <p>CONCEPT PLAN FOR APPROVAL</p> <p>SCALE (AT ORIGINAL SIZE) AS NOTED</p> <table border="1" style="width: 100%; border-collapse: collapse;"> <tr> <td>PROJECT NO.</td> <td>DRAWING NO.</td> <td>REVISION NO.</td> </tr> <tr> <td>17716</td> <td>C1</td> <td>A</td> </tr> </table>		PROJECT NO.	DRAWING NO.	REVISION NO.	17716	C1	A
DISCIPLINE	DRAWING TITLE AND NUMBER	DATE	REV.	DRAWING TITLE AND NUMBER	DATE	REV.																																																															
ARCH.	230247-GJGN08B			FIRE																																																																	
STRUCT.				LANDS																																																																	
MECH.				CIVIL																																																																	
ELEC.				SURVEY																																																																	
HYD.																																																																					
DRAWN	DATE																																																																				
DESIGNED	DATE																																																																				
CHECKED	DATE																																																																				
PROJECT NO.	DRAWING NO.	REVISION NO.																																																																			
17716	C1	A																																																																			



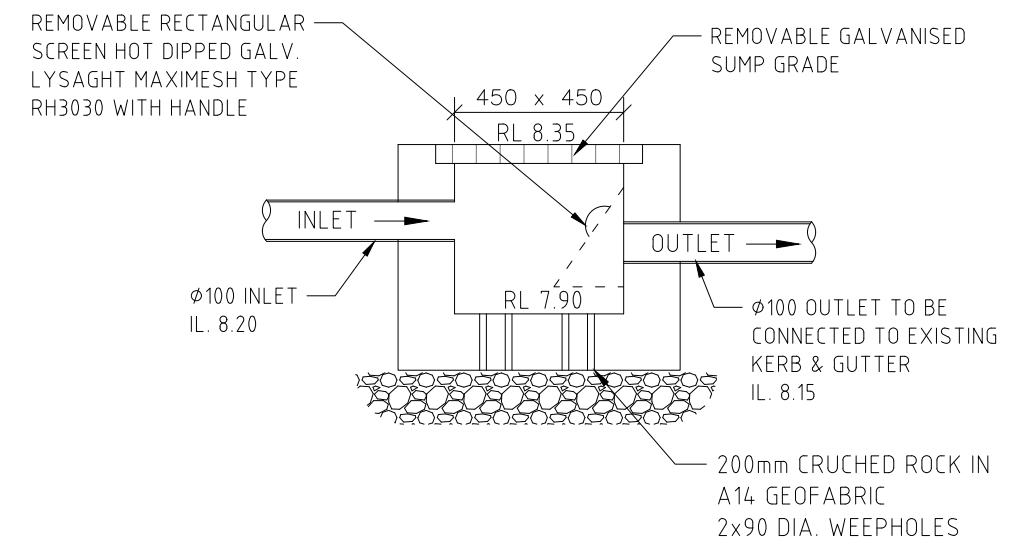
DRAINAGE PLAN
SCALE 1:200



TYPICAL MAINTENANCE PIT
SCALE 1:20

POLLUTION CONTROL PIT NOTES:

- MESH SCREEN IS TO BE GALVANISED LYSAGHT RH3030 MAXI MESH COVERED WITH GEOTILE IN GALVANISED STEEL FRAME WITH LIFTING HANDLES ACROSS BASE.
- GEOTILE IS TO BE BIDIM A14, PROPEX 4550 OR SIMILAR WITH COEFFICIENT OF PERMEABILITY GREATER THAN 50E-4m/s.



SEDIMENT CONTROL PIT 1 DETAIL
SCALE 1:20

ISSUE FOR APPROVAL



REFERENCE COORDINATION DRAWING	
DISCIPLINE	DRAWING TITLE AND NUMBER DATE REV.
ARCH.	230247-GJGN08B
STRUCT.	
MECH.	
ELEC.	
HYD.	

GENERAL NOTES:

- THIS DRAWING IS THE COPYRIGHT OF NASTASI & ASSOCIATES CONSULTING CIVIL & STRUCTURAL ENGINEERS, Unit 5/1-3 Whyalla Place, Prestons, 2170, PO Box 6048, Hornsby Shire, NSW, 2170.
- IT IS NOT ALLOWED TO COPY OR REPRODUCE ITS CONTENTS IN ANY FORM EXCEPT FOR THE PURPOSE WHICH IT IS INTENDED WITHOUT THE ABOVE CONSULTANT'S AUTHORITY.
- DO NOT SCALE THIS DRAWING. ONLY STATED DIMENSIONS ARE TO BE CONSIDERED.
- CONTRACTOR TO VERIFY THE DEPTH / INFORMATION GIVEN IN THIS DRAWING. ANY DISCREPANCIES SHALL BE BROUGHT TO ENGINEERS ATTENTION PRIOR TO COMMENCEMENT OF WORK. FAILURE TO COMPLY WITH THE ABOVE WILL BE CONTRACTORS LIABILITY.

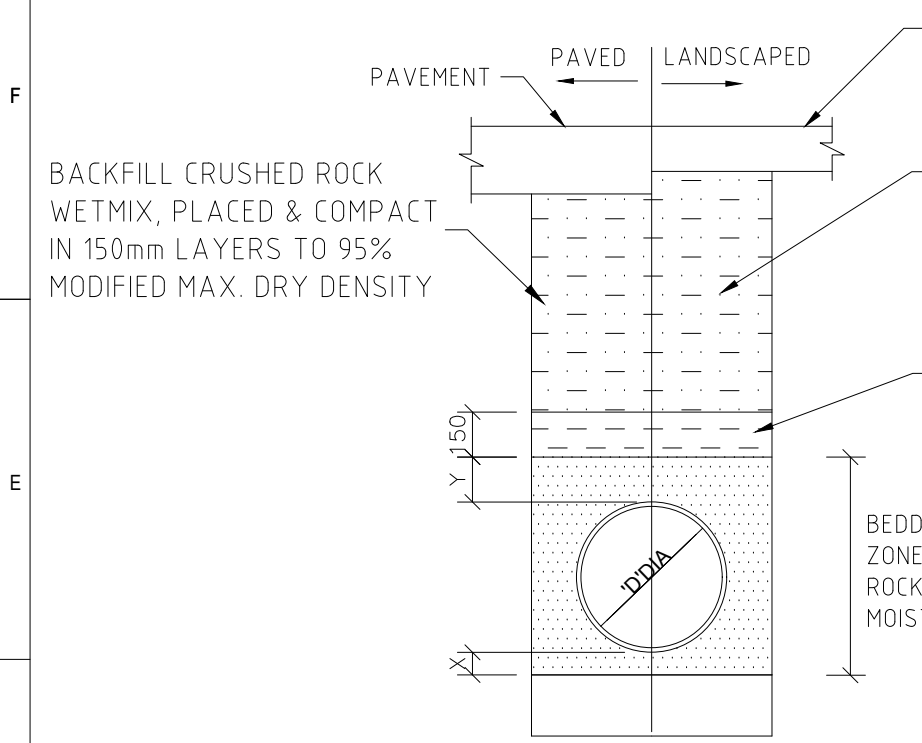
NASTASI & ASSOCIATES
CONSULTING CIVIL & STRUCTURAL ENGINEERS
B.E., M.I.E. AUST. CPENG NPER-3
ABN 45 533 226 008
UNIT 5, 1-3 WHYALLA PLACE, PRESTONS NSW 2170
PH: (02) 9607 2864 OR (02) 9798 9017 FAX: (02) 9791 2081
MOB: 0419 041 401

QUALITY CONTROL	
DRAWN	DATE
DESIGNED	DATE
MD	04.04.2019
CHECKED	DATE

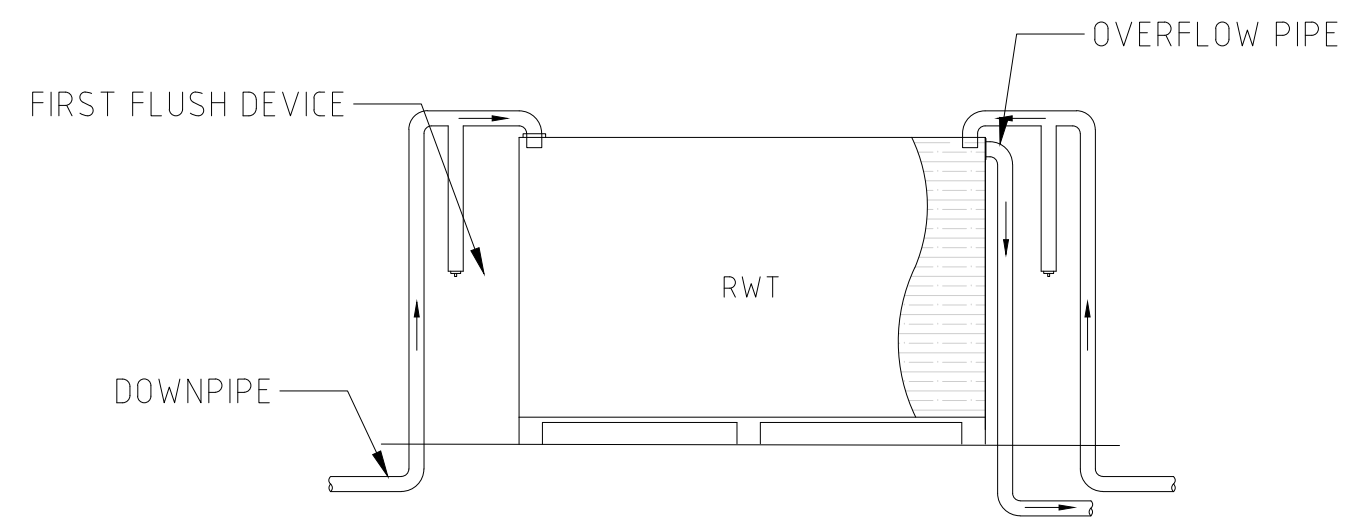
APPROVED CLIENT:
[Signature]
S. NASTASI
B.E., M.I.E. AUST. CPENG

CLIENT:
SHERWOOD & ROBERTSON
ARCHITECT:
GJ GARDNER. HOMES

DRAWING STATUS		
CONCEPT PLAN FOR APPROVAL		
SCALE (AT ORIGINAL SIZE)	AS NOTED	
PROJECT NO.	DRAWING NO.	REVISION NO.
17716	C2	A



RAINWATER TANK NOTES:
 1. A FIRST FLUSH DEVICE IN ACCORDANCE WITH MANUFACTURER'S SPECIFICATIONS SHALL BE FITTED TO RAINWATER TANK SYSTEM TO FLUSH OUT THE FIRST 0.5mm OF RUN-OFF FROM THE ROOF AREA THAT DRAINED INTO THE TANK (E.G. 0.5L/m²).
 2. PUMP SIZE & SPECIFICATION TO BE NOMINATED BY MANUFACTURER

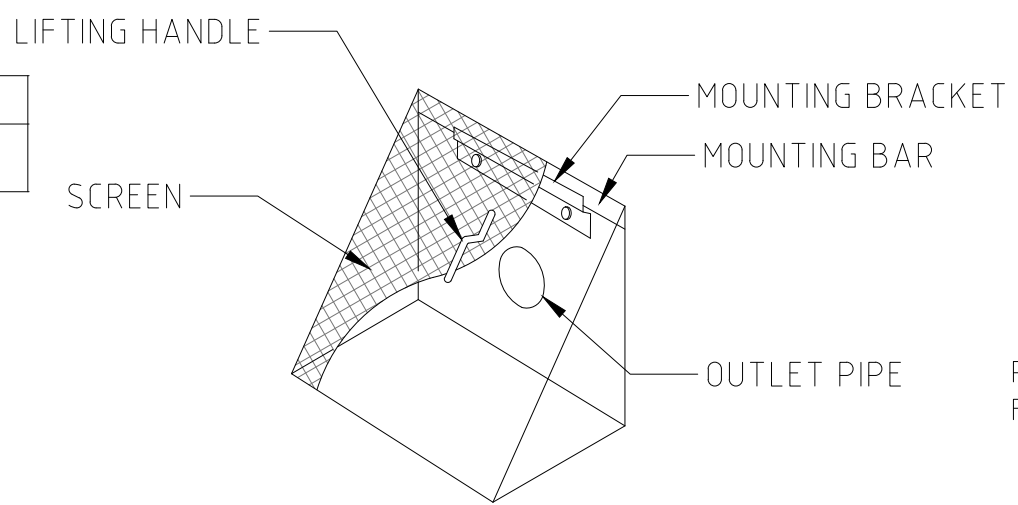


RAINWATER TANK DETAIL
NTS

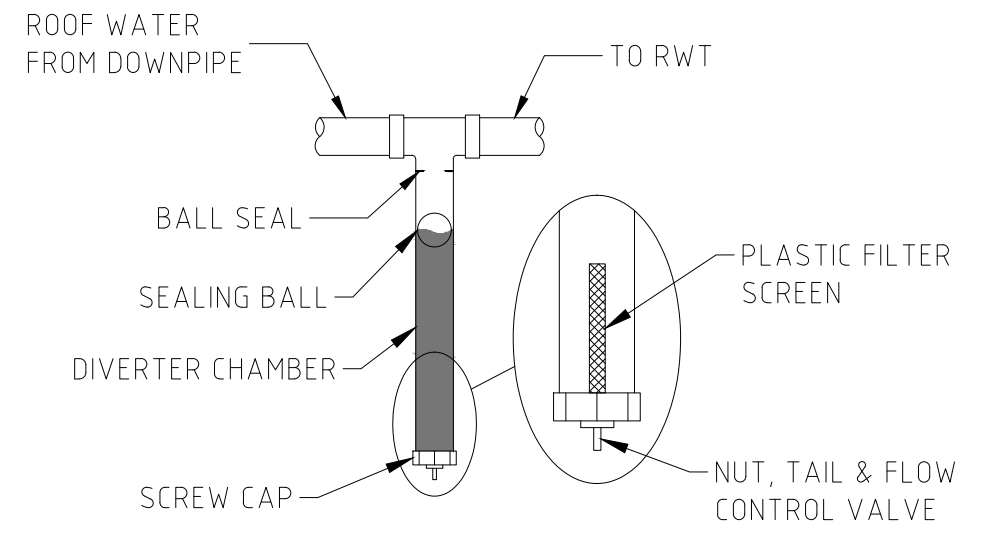
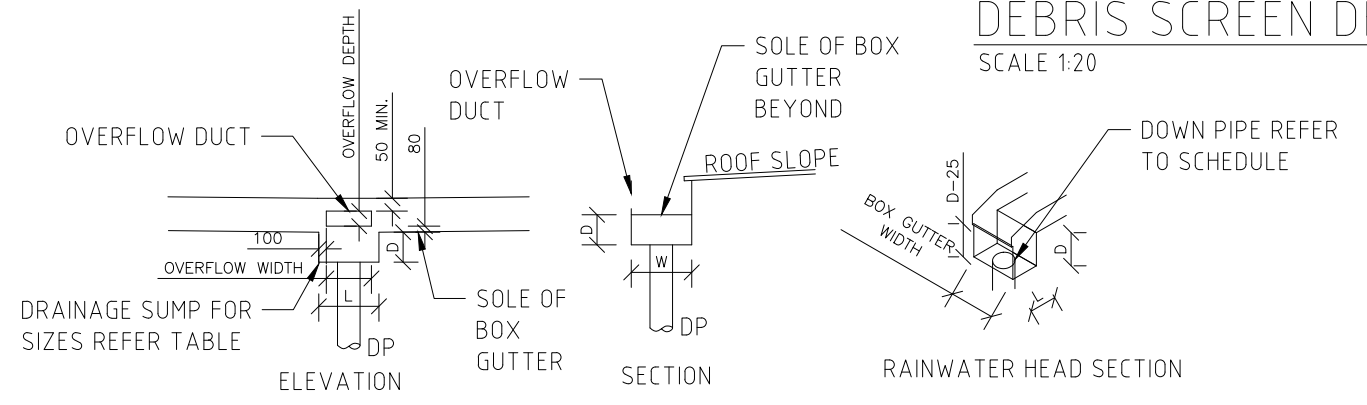
NOTE:
 1 REFER TO PIPE LAYING SPECIFICATIONS FOR DETAILS.

PIPE DIA 'D'	W	X MIN.	Y
100-150	300	75	75
225-300	600	75	75

TYPICAL PIPE LAYING DETAIL
NTS



DEBRIS SCREEN DETAILS
SCALE 1:20



FIRST FLUSH DEVICE DETAIL
1:20

BOX GUTTER, RAINWATER HEAD & SUMP SIZING SCHEDULE					
NODE	BOX GUTTER SIZE	RAINWATER HEAD SIZE	SUMP SIZE	OVERFLOW TO SUMP	DOWNPIPE Ø mm
BG1	300 W x 150 D	250 D x 150 W	400 L x 130 D	N/A	100

TYPICAL BOX GUTTER DETAILS WITH SUMP OVERFLOW
SCALE 1:20

ISSUE FOR APPROVAL



REFERENCE COORDINATION DRAWING DISCIPLINE DRAWING TITLE AND NUMBER DATE REV. DRAWING TITLE AND NUMBER DATE REV. ARCH. 230247-GJGN08B FIRE STRUCT. LANDS MECH. CIVIL ELEC. SURVEY HYD.		GENERAL NOTES: * THIS DRAWING IS THE COPYRIGHT OF NASTASI & ASSOCIATES CONSULTING CIVIL & STRUCTURAL ENGINEERS, Unit 5,1-3 Whyalla Place, Prestons, 2170, PO Box 6048, Hornsby, NSW, 2170. * IT IS NOT ALLOWED TO COPY OR REPRODUCE ITS CONTENTS IN ANY FORM EXCEPT FOR THE PURPOSE WHICH IT IS INTENDED WITHOUT THE ABOVE CONSULTANTS' AUTHORITY. * DO NOT SCALE THIS DRAWING. ONLY STATED DIMENSIONS ARE TO BE CONSIDERED. * CONTRACTOR TO VERIFY THE DEAIL / INFORMATION GIVEN IN THIS DRAWING. ANY DISCREPANCIES SHALL BE BROUGHT TO ENGINEERS ATTENTION PRIOR TO COMMENCEMENT OF WORK. FAILURE TO COMPLY WITH THE ABOVE WILL BE CONTRACTORS LIABILITY.		NASTASI & ASSOCIATES CONSULTING CIVIL & STRUCTURAL ENGINEERS B.E., M.I.E. AUST. CPENG NPER-3 ABN 45 533 226 008 UNIT 5, 1-3 WHYALLA PLACE, PRESTONS NSW 2170 PH: (02) 9607 2864 OR (02) 9749 9017 FAX: (02) 9751 2081 MOB: 0419 041 401		QUALITY CONTROL DRAWN DATE DESIGNED DATE MD 04.04.2019 CHECKED DATE		APPROVED/CLIENT: CLIENT: SHERWOOD & ROBERTSON ARCHITECT: GJ GARDNER, HOMES		PROJECT: LOT 23, 41 WARRIEWOOD RD, WARRIEWOOD TITLE: STORMWATER DETAILS		DRAWING STATUS: CONCEPT PLAN FOR APPROVAL SCALE (AT ORIGINAL SIZE): AS NOTED PROJECT NO. 17716 DRAWING NO. C3 REVISION NO. A	
---	--	---	--	---	--	---	--	--	--	--	--	---	--