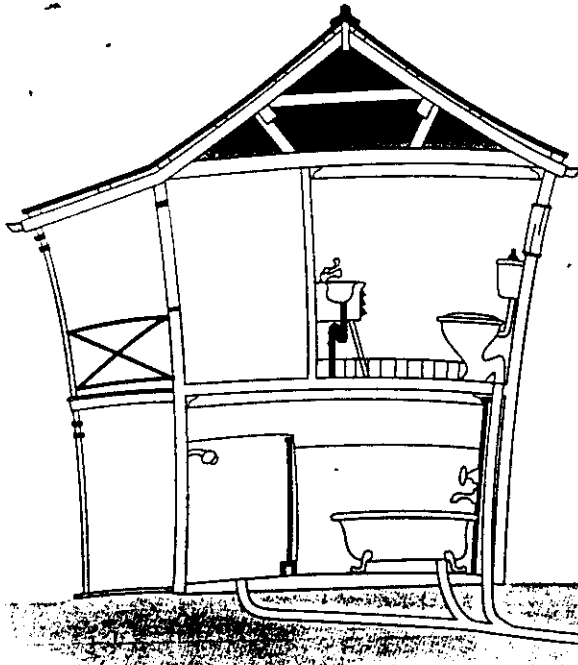


ECONOCYCLE



ECONOCYCLE



FREE WATER!

Well, almost. The average family of five will use around 1000 litres of water per day, all going down the drain. The Econocycle unit is designed to treat & recycle almost 2000 litres per day, available for you to use on your garden or lawn. Clean Clear Odourless Water

ALMOST FREE!



BENEFITS

- Saves water by recycling household water for garden use promoting growth
- Easily connects to existing households
- Difficult sites catered for
- Safe and beneficial for the environment
- Eliminates offensive odours
- Quiet operation
- Adds to property values

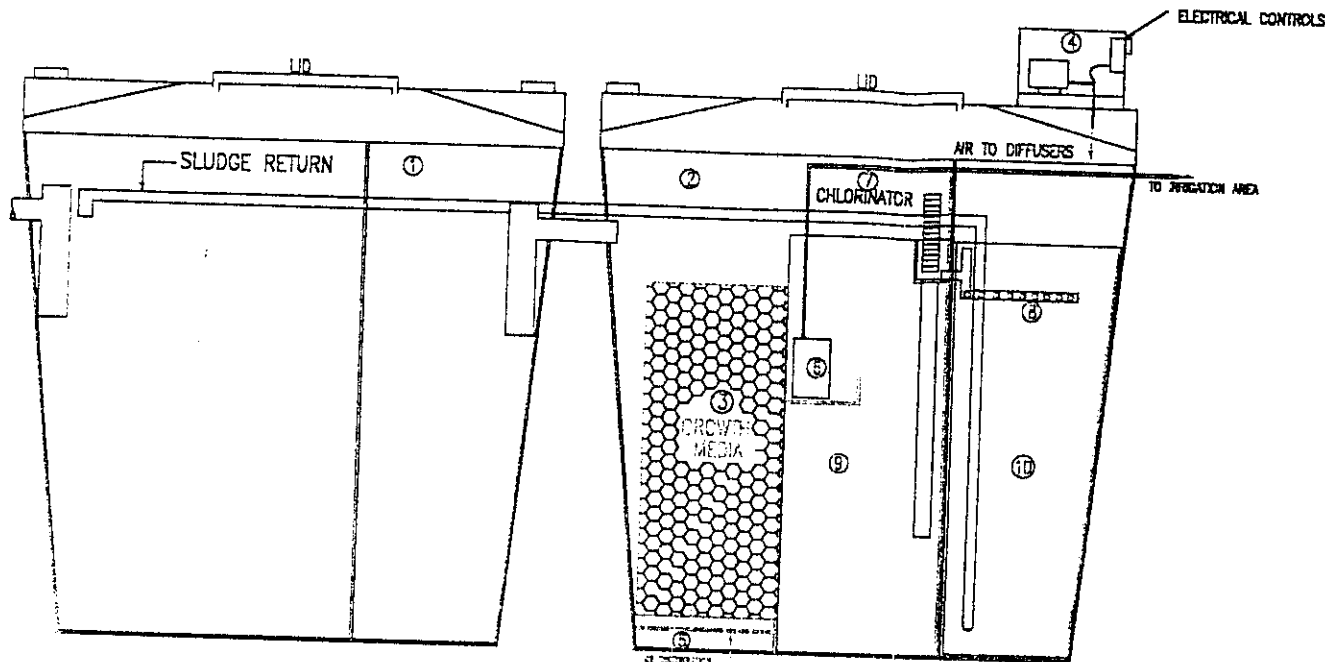
ECONOCYCLE FEATURES

- Large range of systems
- Large irrigation pump
- Large area of media for bacteria growth
- All internal parts are made of the highest quality materials with no corrosive components
- High quality, long lasting pumps and blowers

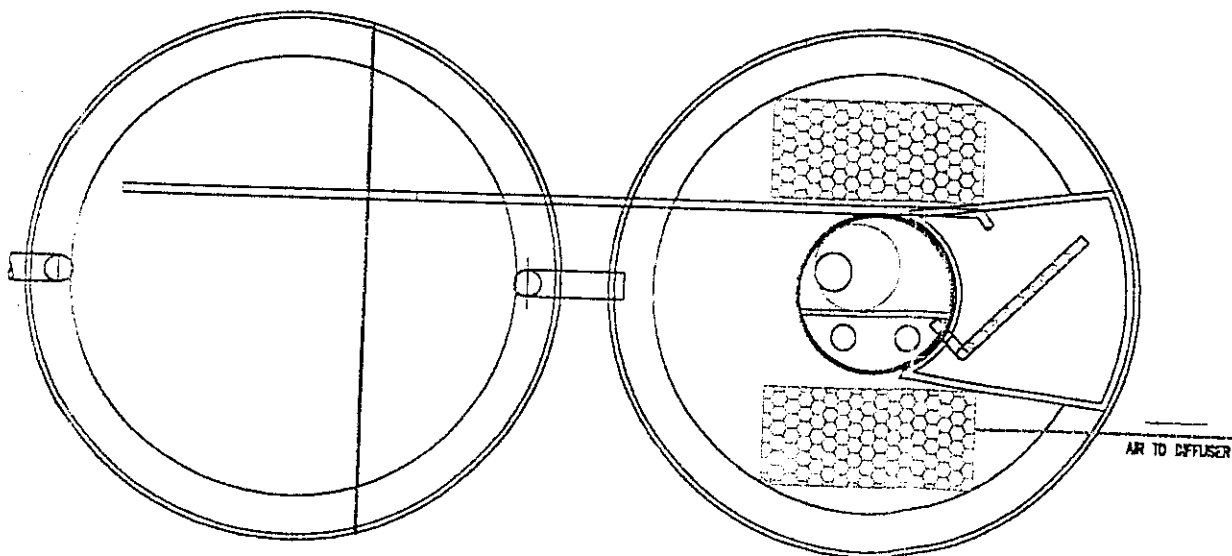
SERVICE & MAINTENANCE

Econocycle Aerated Wastewater Treatment systems are designed to compliment and enhance rural living, we have designed our unit to perform well in excess of NSW Dept. Health design criteria. A handbook is provided to assist new owners on the 'do's and don'ts' of this type of unit. The book is very helpful and should ensure trouble free operation. Under NSW Government guidelines the unit will require 4 services per year. This work is carried out by our trained staff who will issue you with a copy of their report. Another copy of this report goes to your local council for them to monitor. The first 12 months service included in the purchase price. An electronic alarm panel is provided and is usually fitted to the house. The alarm will alert you to problems in the unlikely event of a breakdown. You will be provided with an Emergency Service phone contact, giving you a guarantee of peace of mind and prompt service.

MODEL ENP 10 -2



ITEM NO.	DESCRIPTION	SPECIFICATION	NO. OFF
	NUMBER OF PEOPLE USING FACILITIES	10 EP	
1	PLASTIC SEPTIC TANK	BAFFLED 2/3 - 1/3 COMPARTMENTS 3000L	1
2	AERATION COMPARTMENT	2300L	1
3	GROWTH MEDIA	500 x 800 x 1200 PACKS 50m2 SURFACE AREA	2
4	AIR BLOWER	80L / MINUTES MIN.	1
5	AIR DIFFUSERS	PLASTIC 300LG INGEWOOD TECH.	2
6	IRRIGATION PUMP.	MIN. HEAD 7.5 m	1
7	CHLORINATOR.	100mm PVC PIPE AND FITTING TO SUIT MINIMUM 10 TABLETS - 6 MONTHS CAPACITY	1
8	WEIR / SKIMMER	50mm PIPE WITH 10mm HOLES	1
9	CHLORINE CONTACT AND PUMP OUT TANK	330L	1
10	CLARIFIER TANK.	MIN. SURFACE AREA 0.42m2	1



APPROVED
 21 SEP 2000
 DEPARTMENT OF HEALTH, N.S.W.

ECONOCYCLE
 15 ECONO PLACE SILVERDALE

DESIGNED BY: LOCHBAR HOLDINGS PTY. LTD.
 CIVIL, ENVIRONMENTAL & HYDRAULIC ENGINEERS
 SUITE 2/483 HIGH ST. PEERITH N.S.W. 2750
 PH - 02 47 211377 FAX - 02 47 302922

MODEL NO. ENP 10 -2 DATE: 07/01/2000 DWG NO. 27 ENP 10 - 2