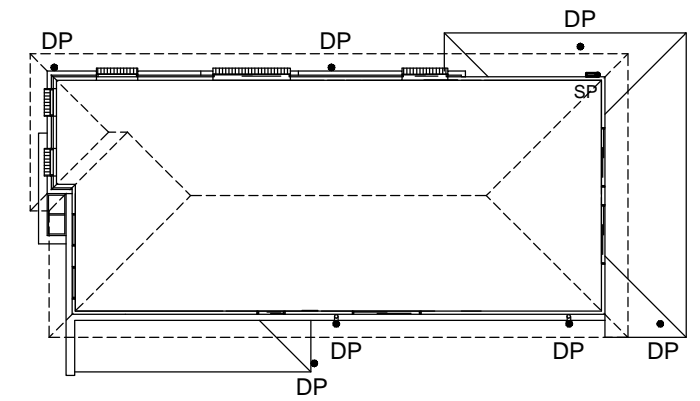
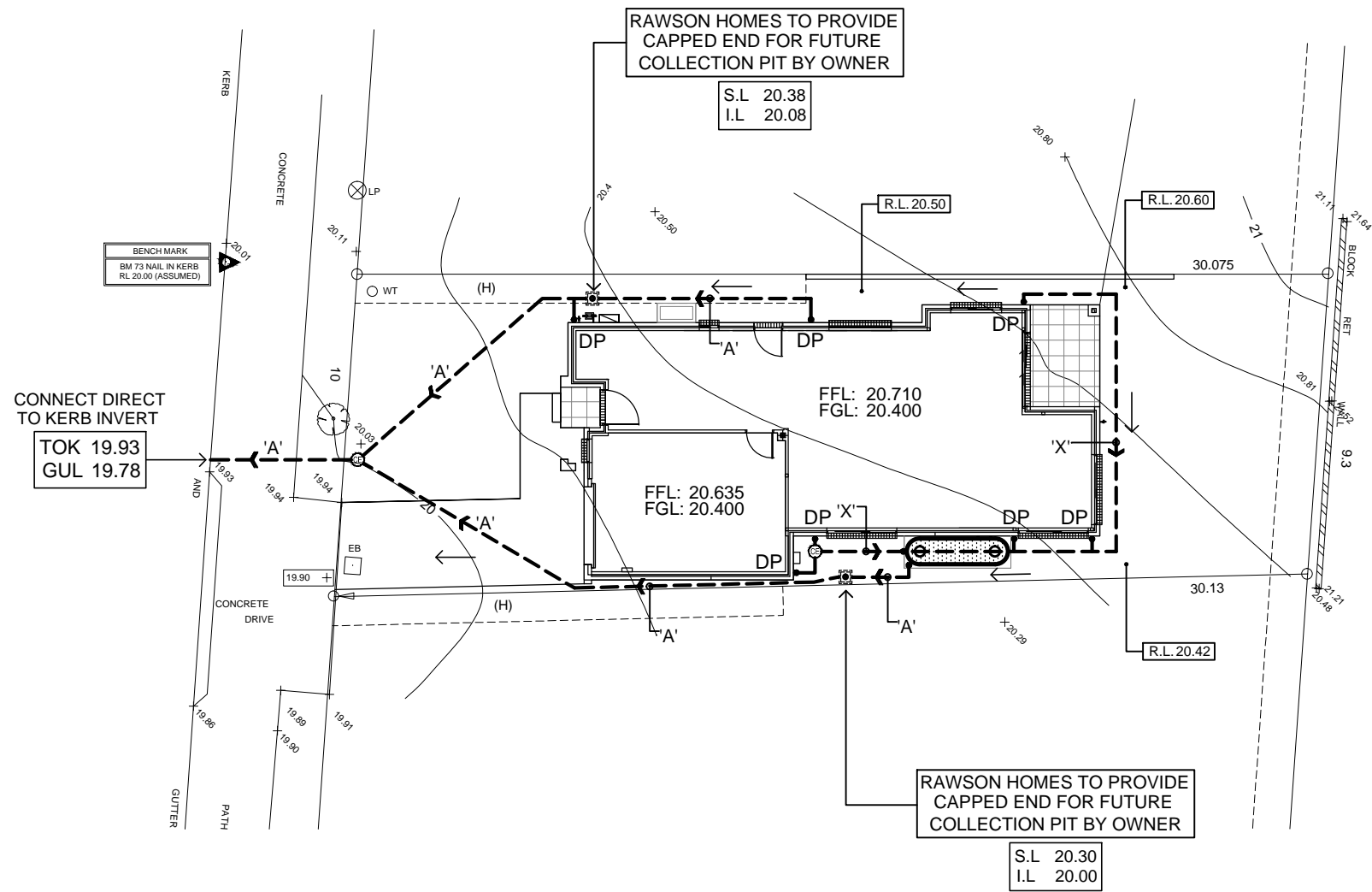
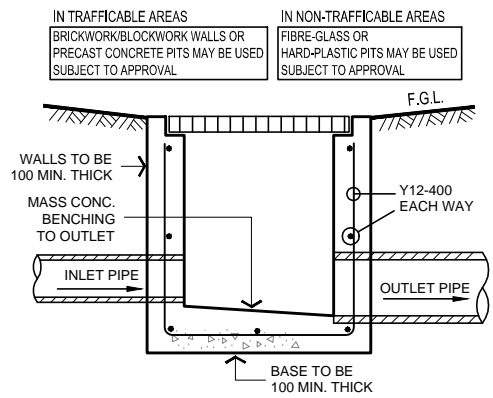


(H): EASEMENT FOR ACCESS & MAINTENANCE 0.9 WIDE

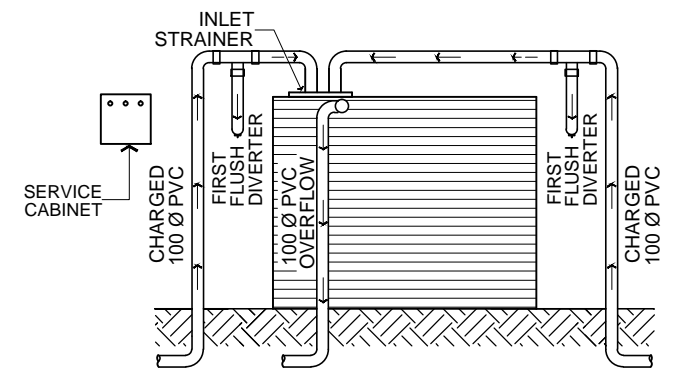
BUBALO STREET



ROOF & FIRST FLOOR LAYOUT
SCALE 1:200/A3



TYPICAL PIT SECTION



RAINWATER TANK CONFIGURATION

THE NON-POTABLE PURPOSES ARE PRESCRIBED IN THE NSW CODE OF PRACTICE FOR PLUMBING & DRAINAGE TO INCLUDE TOILET FLUSHING, GARDEN IRRIGATION, CAR WASHING & COLD WATER LAUNDRY CONNECTIONS.

SITE STORMWATER MANAGEMENT LAYOUT

SCALE 1:200/A3

PIPE SCHEDULE

TAG	SIZE	MATERIAL	GRADE	DESCRIPTION
'A'	100 Ø	P.V.C	1% MIN	REGULAR GRAVITY PIPE
'B'	150 Ø	P.V.C	1% MIN	REGULAR GRAVITY PIPE
'X'	100 Ø	P.V.C	CHARGED	TO FEED RAINWATER TANK

RAINWATER TANK AS SHOWN ON PLAN

PROVIDE A RAINWATER TANK 4000L IN CAPACITY TO SUIT ALL BASIX REQUIREMENTS. TANK TO BE CONNECTED AS SPECIFIED IN BASIX REPORT.

ENSURE ALL CONNECTIONS WITHIN CHARGED SYSTEM ARE SOLVENT WELDED

ALL DOWNPIPES ARE TO BE ENTIRELY PVC. PIPES ARE TO BE SEALED UP TO U/S OF ROOF GUTTERS

ROOF GUTTERS I.L. 23.11
TANK INLET I.L. 22.10
HEAD PRESSURE - 1010mm

STORMWATER LAYOUT NOTES

- PITS DEEPER THAN 600mm TO BE 600 X 900 W, ELSE 375 SQ U.N.O.
- ALL PIPES TO HAVE 1% MIN. GRADE U.N.O.
- ALL DOWNPIPES TO BE 100 X 50 BOX or 90 Ø.
- PIPES TO BE U.P.V.C. OR STORMWATER PIPE TO A.S.1254.
- PITS TO BE STANDARD PRECAST CONCRETE PITS OR BRICK RENDERED WITH CONCRETE HEAVY DUTY GRATES SIZED AS PITS PER PLAN.
- NO SEWER VENTS, GULLY PITS OR SIMILAR TO BE LOCATED BELOW THE MAXIMUM WATER SURFACE LEVEL IN DETENTION BASINS.
- PERSONS UTILISING THIS PLAN FOR ANY PURPOSES SHALL VERIFY THE DATUM & RESPECTIVE LEVELS PRIOR TO

- COMMENCING ANY WORKS & NOTIFY THE ENGINEER OF ANY DISCREPANCIES.
- DRIVEWAY LEVELS PROVIDED FOR DRAINAGE DESIGN PURPOSES ONLY. LEVELS MAY BE ADJUSTED TO SUIT FINAL HOUSE CUT/FILL CONDITIONS BUT NEED TO MAINTAIN INTENT OF DRAINAGE SYSTEM. ENGINEER TO BE CONSULTED PRIOR TO CONSTRUCTION TO ENSURE INTENT MAINTAINED.
- END OF EXISTING DRAINAGE LINE TO BE EXPOSED & LEVELS CONFIRMED BY BUILDER PRIOR TO COMMENCEMENT OF WORKS.
- BUILDERS TO ENSURE SERVICES CONNECTIONS TO HOUSE DO NOT CONFLICT WITH DRAINAGE DESIGN REQUIREMENTS.
- ALL WORKS TO BE CONSTRUCTED TO GOOD BUILDING PRACTICE & MATERIALS TO MEET ACCEPTED SPECIFICATIONS.

LEGEND

P1	PIT LABEL	G.F.L.	GARAGE FLOOR LEVEL
	SUMP PIT	• 0.00	EXISTING REDUCED LEVEL
	300x300 FLOOR GULLY	• R.L. 157.00	PROPOSED REDUCED LEVEL
	100/150 Ø GARDEN GULLY	■ DP	DOWNPIPE
	DRAINAGE PIPE	└ SP	SPITTER/SPREADER
	AERIAL PIPE	⊙	CLEANING EYE
S.L.	SURFACE LEVEL	#####	SEDIMENT FENCE
I.L.	INVERT LEVEL	---	AG LINE
F.F.L.	FINISHED FLOOR LEVEL	→	OVERLAND FLOW

alw design
CIVIL ENGINEERING CONSULTANTS

P: 02 9802 5509 E: admin@alwdesign.com.au
M: 0413 763 432 69 DELANGE ROAD, PUTNEY NSW 2112

JOB NUMBER:
SW20004
DRAWING NUMBER:
SW20004 - S1

PROJECT:	PROPOSED RESIDENTIAL DWELLING AT LOT 9, # 19 BUBALO STREET, WARRIEWOOD NSW		
DRAWING:	SITE STORMWATER MANAGEMENT LAYOUT		
DESIGNED:	A.W	DRAWN:	O.W
CHECKED:	DRAWINGS NOT TO BE USED FOR CONSTRUCTION UNLESS SIGNED BY DESIGNING ENGINEER		
ISSUE:	A	ISSUED FOR DA APPROVAL	20/01/20
REVISION DESCRIPTION:			APPR. DATE