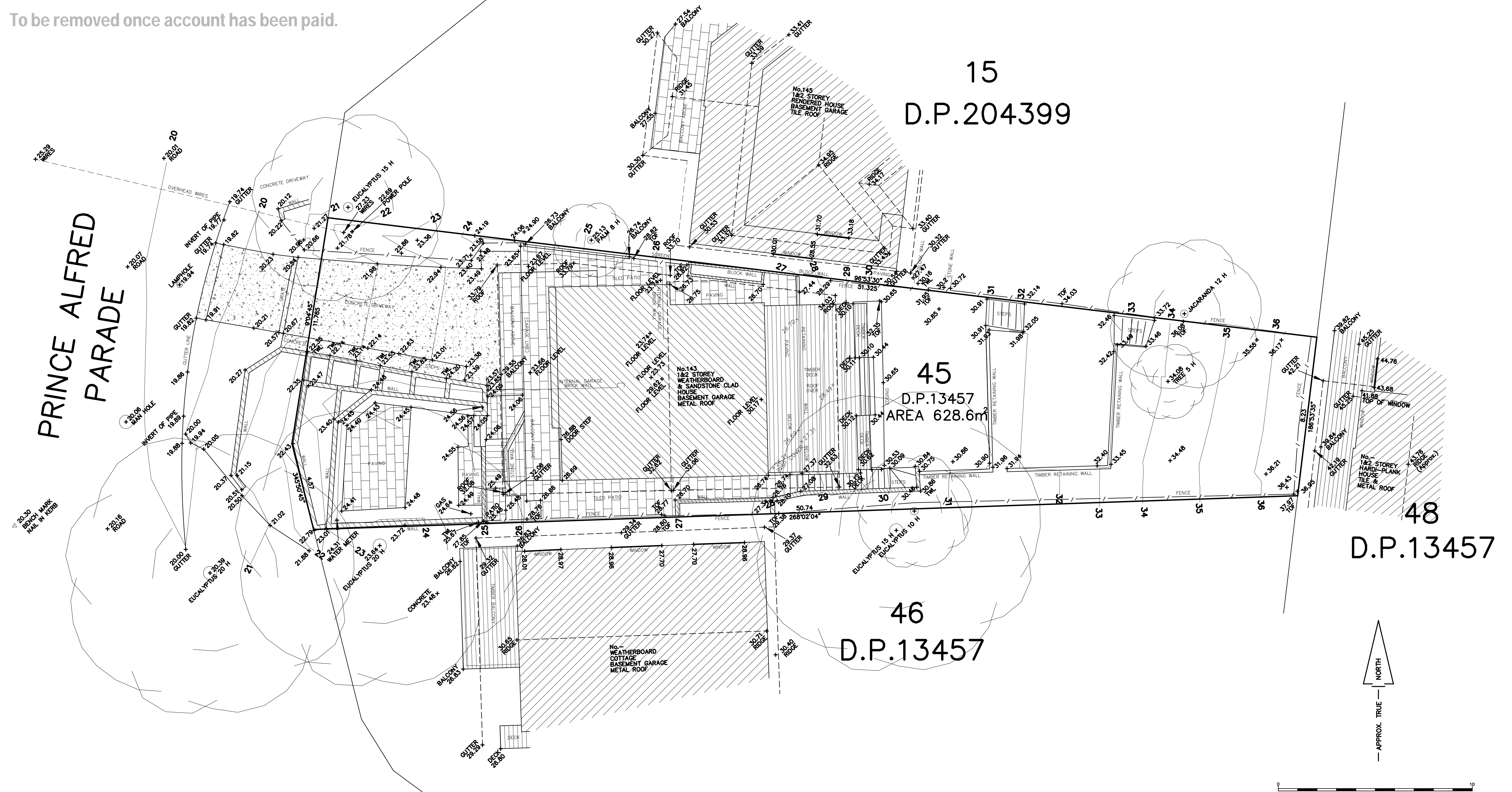


copyright: Adam Clerke Surveyors Pty Ltd
 Not to be used, copied or altered without
 written permission.

To be removed once account has been paid.



- NOTES:
- TREE SPREADS & HEIGHTS ARE INDICATIVE ONLY.
 - ONLY VISIBLE SERVICES HAVE BEEN SHOWN. UNDERGROUND SERVICES HAVE NOT BEEN LOCATED. NOTIFICATION OF ALL RELEVANT AUTHORITIES SHOULD BE UNDERTAKEN BEFORE CARRYING OUT ANY CONSTRUCTION ACTIVITY IN OR NEAR THE SURVEYED AREA.
 - THIS SURVEY HAS BEEN CARRIED OUT FOR INFORMATION PURPOSES ONLY AND SURVEY MARKS SHOULD BE PLACED IF STRUCTURES ARE TO BE ERRECTED ON OR NEAR THE BOUNDARIES. BOUNDARIES ARE NOT TO BE ESTABLISHED FROM INFORMATION SHOWN ON DRAWING.
 - CONTOUR INTERVAL - 1 METRE. CONTOURS ARE INDICATIVE ONLY. SPOT LEVELS SHOULD BE ADOPTED FOR DESIGN AND CALCULATION PURPOSES. CRITICAL SPOT LEVELS SHOULD BE CONFIRMED WITH SURVEYOR.
 - THIS PLAN HAS BEEN PREPARED FOR THE EXCLUSIVE USE OF FRED REZO.
 - COPYRIGHT © ADAM CLERKE SURVEYORS PTY LTD 2019
 - TWL ... DENOTES TOP OF WALL
 - TOF ... DENOTES TOP OF FENCE

ADAM CLERKE SURVEYORS PTY LTD
 Incorporating PAUL KEEN & COMPANY
 LAND & ENGINEERING SURVEYORS
 35 KEVIN AVENUE, SYDNEY NSW 2107
 TEL. 9918 4111

copyright: Adam Clerke Surveyors Pty Ltd
 Not to be used, copied or altered without
 written permission.

DETAILS AND LEVELS OVER
 LOT 45 IN D.P. 13457

To be removed once account has been paid.
 143 PRINCE ALFRED PARADE, NEWPORT

DATE... 15/02/19 REF... 2696
 SCALE...1:100(A1) DATUM...A.H.D