

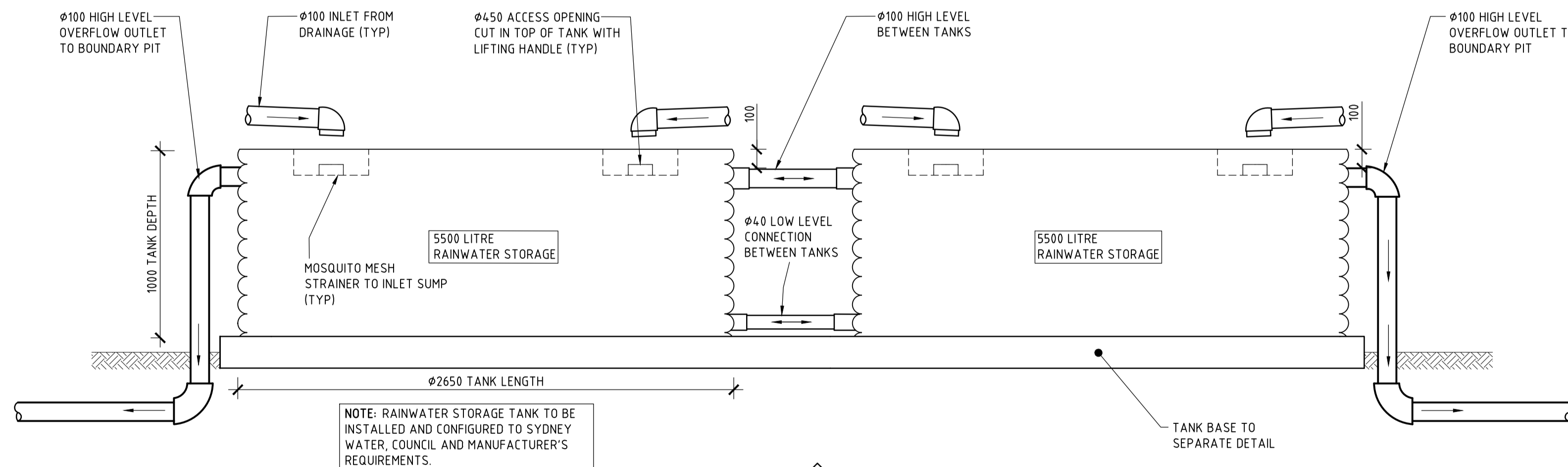
**STORMWATER MANAGEMENT PLAN**

SCALE 1:100

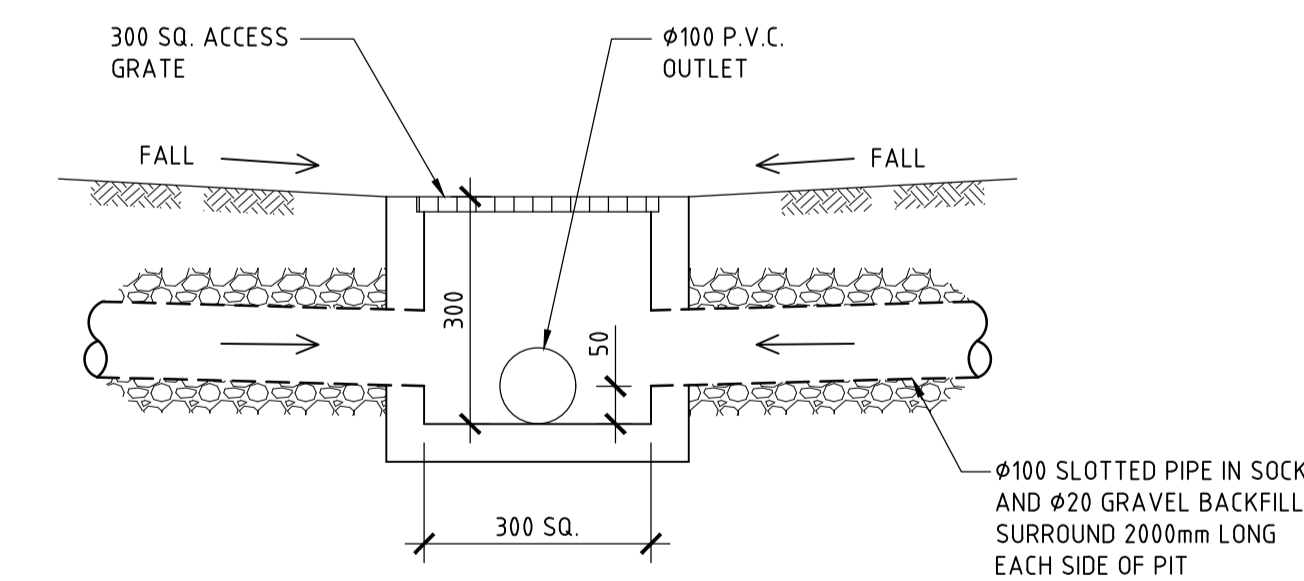
NOTE: TANK DIMENSIONS TO BE CONFIRMED BY BUILDER. ALL CHANGES TO BE APPROVED BY SUPERVISING ENGINEER

NOTE: CHECK & LOCATE DEPTH OF EXISTING MAINS & SERVICES PRIOR TO CONSTRUCTION OF STORMWATER SYSTEM AS VARIATIONS IN POSITION OF MAINS COULD AFFECT DRAINAGE CONSTRUCTION DETAILS

- DRAINAGE NOTES**
- + DENOTES EXISTING GROUND LEVEL
  - FALL STORMWATER PIPES AT 1% MIN UNLESS OTHERWISE NOTED.
  - SUB-SOIL DRAINAGE TO BE CONNECTED TO THE SITE DRAINAGE SYSTEM AS NECESSARY.
  - SURFACE GRATES 300 SQ. UNLESS OTHERWISE NOTED.
  - ALL STORMWATER PIPES TO HAVE SOLVENT CEMENT WATERTIGHT JOINTS.
  - CHECK & LOCATE DEPTH OF EXISTING MAINS & SERVICES PRIOR TO CONSTRUCTION OF STORMWATER SYSTEM AS VARIATIONS IN POSITION OF MAINS COULD AFFECT DRAINAGE CONSTRUCTION DETAILS.
  - INSPECTIONS MUST BE UNDERTAKEN BY THIS OFFICE (BY PRIOR ARRANGEMENT WITH ENGINEER) DURING CONSTRUCTION TO ENABLE FULL CERTIFICATION UPON COMPLETION OF WORKS.
  - ALL CONSTRUCTION OF COUNCIL DRAINAGE WORKS TO COMPLY WITH COUNCIL STANDARD.
  - REMOVE REDUNDANT DRAINAGE PITS AND SEAL PIPES.
  - PIT BENCHING TO BE HALF THE OUTGOING PIPE DIAMETER. CONCRETE FOR BENCHING TO BE 20 MPa MASS CONCRETE.
  - APPROVED PRE-CAST PITS MAY BE USED.
  - ALL PIPES TO BE LAID ON COMPACTED FINE CRUSHED ROCK OR SAND BEDDING 75mm THICK & PIPES BACKFILLED WITH COMPACTED SAND TO 300mm ABOVE TOP OF PIPE, ELSE ATTACHED TO UNDERSIDE OF STRUCTURE AT 600mm c/c AS NECESSARY.
  - PIPE ROUTES SHOWN ARE INDICATIVE ONLY AND SHOULD BE AS NECESSARY ACCORDING TO SITE CONDITIONS, TREE POSITIONS ETC. CONFIRM SIGNIFICANT CHANGES IN PIPES SYSTEM DETAILS WITH SUPERVISING ENGINEER PRIOR TO COMMENCEMENT OF DRAINAGE CONSTRUCTION WORKS.
  - CONTRACTOR SHALL ENSURE THAT SERVICES TO BUILDINGS NOT AFFECTED BY THE WORKS ARE NOT DISRUPTED. CONTRACTOR SHALL CONSTRUCT TEMPORARY SERVICES TO MAINTAIN EXISTING SUPPLY TO BUILDINGS WHERE REQUIRED. ONCE WORKS ARE COMPLETE AND COMMISSIONED THE CONTRACTOR SHALL REMOVE ALL TEMPORARY SERVICES AND MAKE GOOD ALL DISTURBED AREAS.
  - STORMWATER SYSTEM REQUIRES SIGNIFICANT MAINTENANCE DUE TO POTENTIAL HIGH POLLUTANT LOAD. FILTERS AND POLLUTANT TRAPS SHOULD BE CHECKED AFTER LARGE STORM EVENTS AND CLEANED EVERY 6 MONTHS.
  - PLUMBING AND DRAINAGE WORKS TO COMPLY WITH AS-3500, THE NATIONAL DRAINAGE & PLUMBING CODE.
  - WHERE POSSIBLE DRAINAGE LINES SHALL BE LAID IN AREAS PREVIOUSLY DISTURBED BY OTHER SITE WORKS AND FOLLOW TOPOGRAPHICAL FEATURES TO REDUCE IMPACT AND AVOID TREE ROOTS.
  - THIS STORMWATER MANAGEMENT PLAN HAS BEEN PREPARED FOR D.A. SUBMISSION TO COUNCIL AND DOES NOT NECESSARILY CONTAIN ALL APPROPRIATE INFORMATION TO ENABLE FOR ISSUE TO PLUMBER/BUILDER FOR CONSTRUCTION. CONTACT TAYLOR CONSULTING FOR MORE INFORMATION.



**DETAIL A**  
SCALE 1:20  
TYPICAL RETENTION/DETENTION TANK STORAGE SYSTEM



**DETAIL B**  
SCALE 1:10  
TYPICAL SURFACE INLET PIT DETAIL

**STORMWATER SYSTEM DESIGN DATA**

**SITE DATA**

SITE AREA = 726.1 m <sup>2</sup> (100%)
PROPOSED IMPERVIOUS AREA = 432 m <sup>2</sup> (59%)
PROPOSED LANDSCAPED AREA = 294.1 m <sup>2</sup> (41%)
EXISTING IMPERVIOUS AREA = 213.4 m <sup>2</sup> (29%)
EXISTING LANDSCAPED AREA = 512.7 m <sup>2</sup> (71%)

NOTE: OSD STORAGE REQUIREMENT OF 11,000 HAS BEEN 100% OFFSET BY PROVISION OF OSR

ISSUE DATE	REVISION

<b>TITLE</b> STORMWATER MANAGEMENT PLAN 57 MACMILLAN STREET, SEAFORTH			
DRAWN JBP	DATE 22 NOVEMBER 2018	CHECKED <i>[Signature]</i>	SCALE @ A1 1:100 1:20 1:10
BE Civil (Hons) MIE Aust.			



DRAWN BY: JBP  
SHEET - 1/A