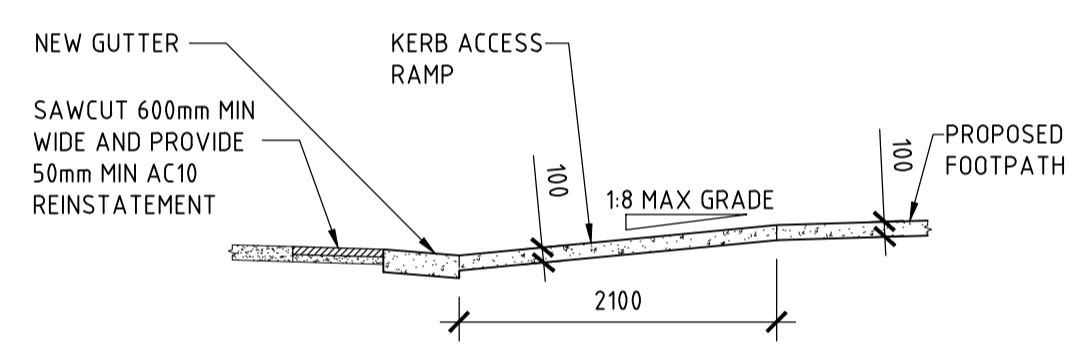
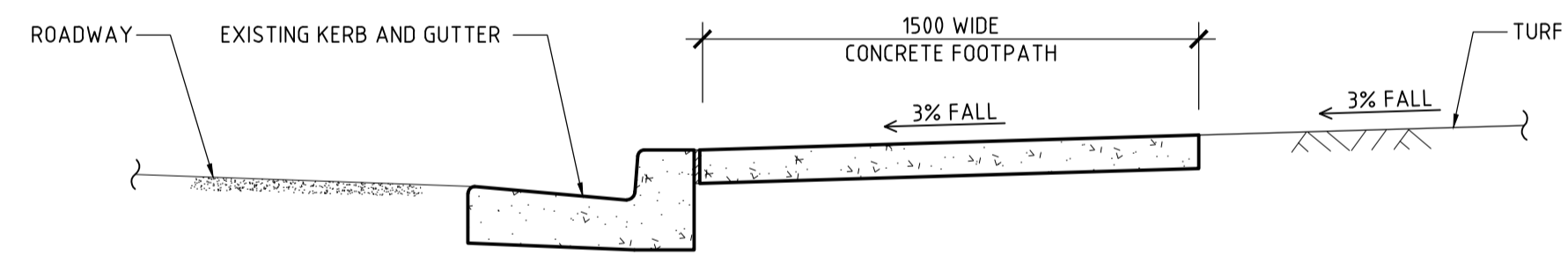


NOTE: CHECK & LOCATE DEPTH OF EXISTING MAINS & SERVICES PRIOR TO CONSTRUCTION OF STORMWATER SYSTEM AS VARIATIONS IN POSITION OF MAINS COULD AFFECT DRAINAGE CONSTRUCTION DETAILS

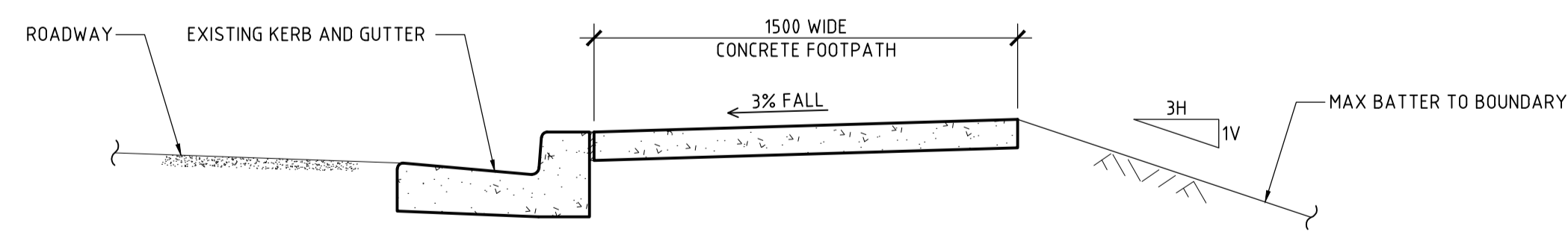
SITE PLAN
SCALE 1:250
SHOWING PROVISION



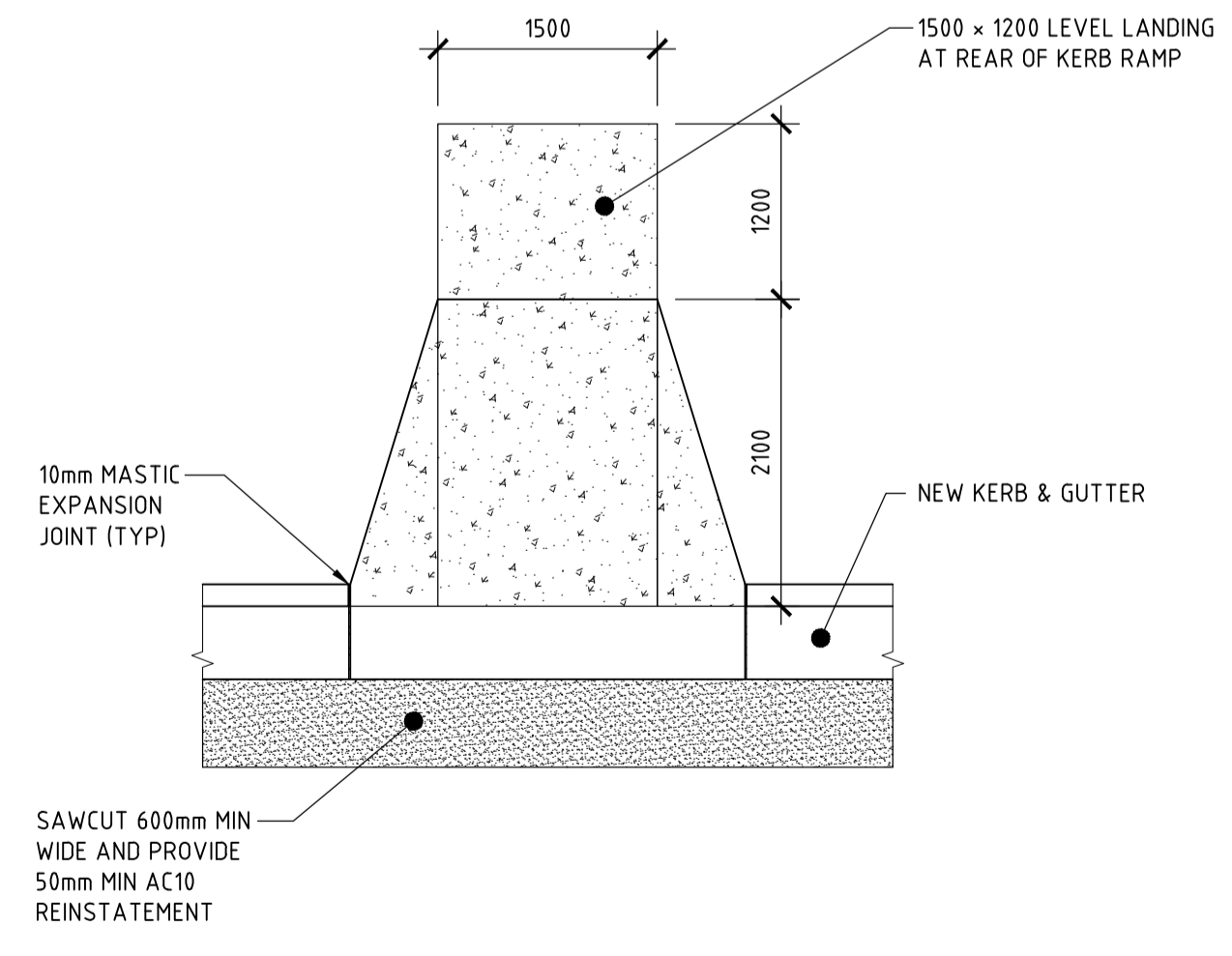
DETAIL A
SCALE 1:50
TYPICAL KERB ACCESS RAMP DETAIL



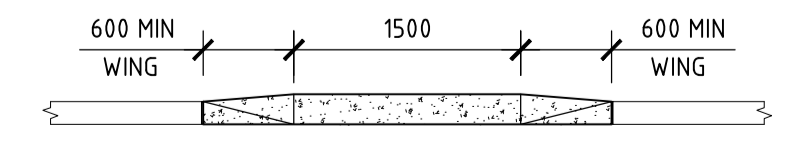
TYPICAL FOOTPATH 1 SECTION
SCALE 1:20



TYPICAL FOOTPATH 2 SECTION
SCALE 1:20



KERB ACCESS RAMP PLAN
SCALE 1:50



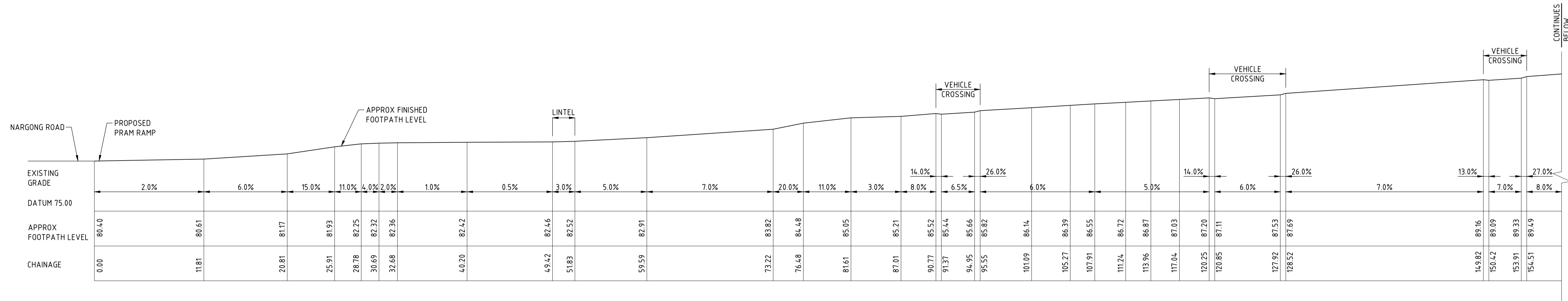
KERB ACCESS RAMP ELEVATION
SCALE 1:50

ISSUE DATE	REVISION
9 APRIL 2019	FOOTPATH AMENDED TO SUIT NEW PLANS

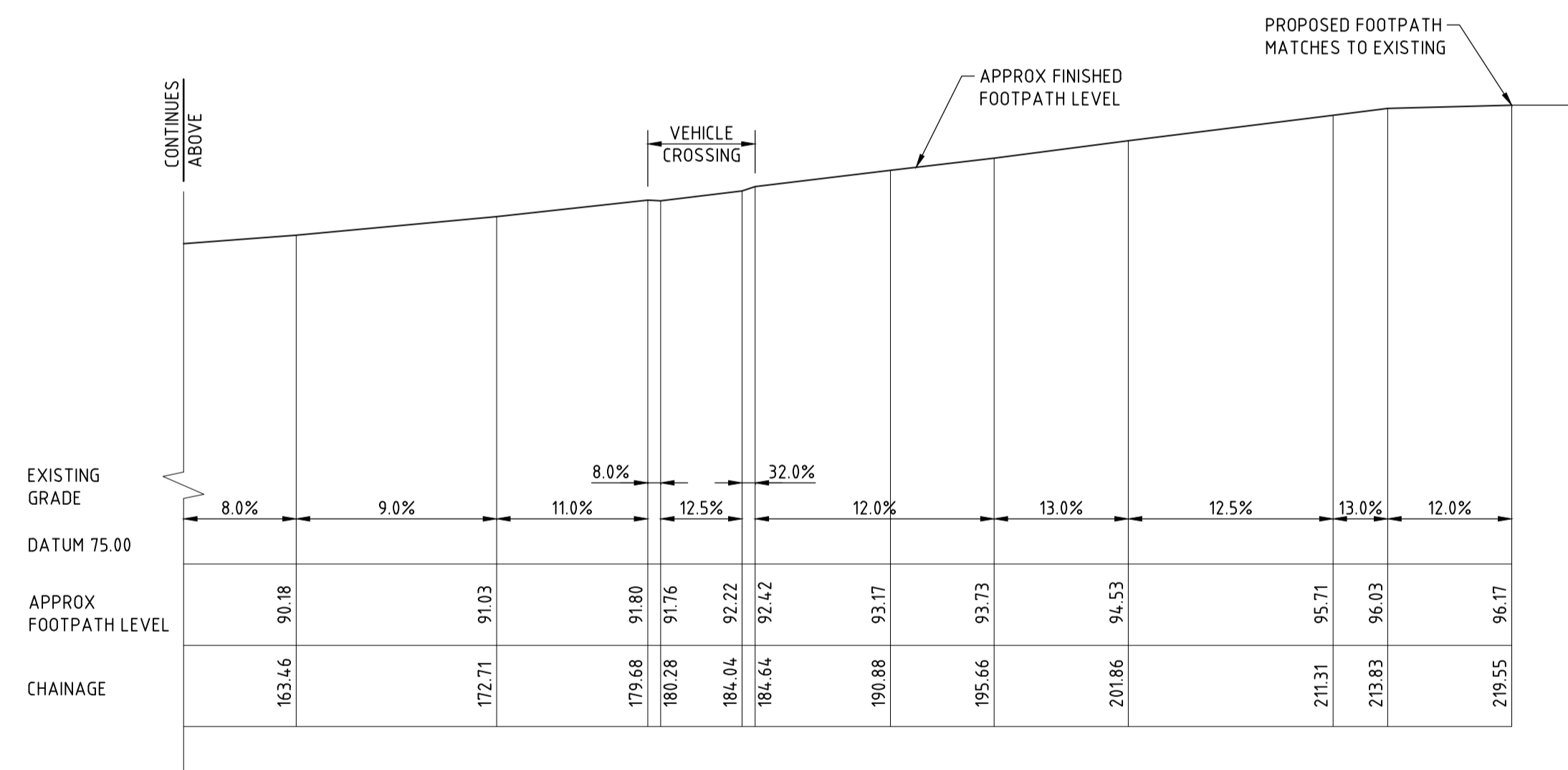
TITLE FOOTPATH CONCEPT PLAN & DETAILS 60 BINALONG AVENUE, ALLAMBIE HEIGHTS			
DRAWN MDB	DATE 21 MARCH 2019	CHECKED <i>[Signature]</i> BE Civil (Hons) MIE Aust.	SCALE @ A1 1:250 1:20



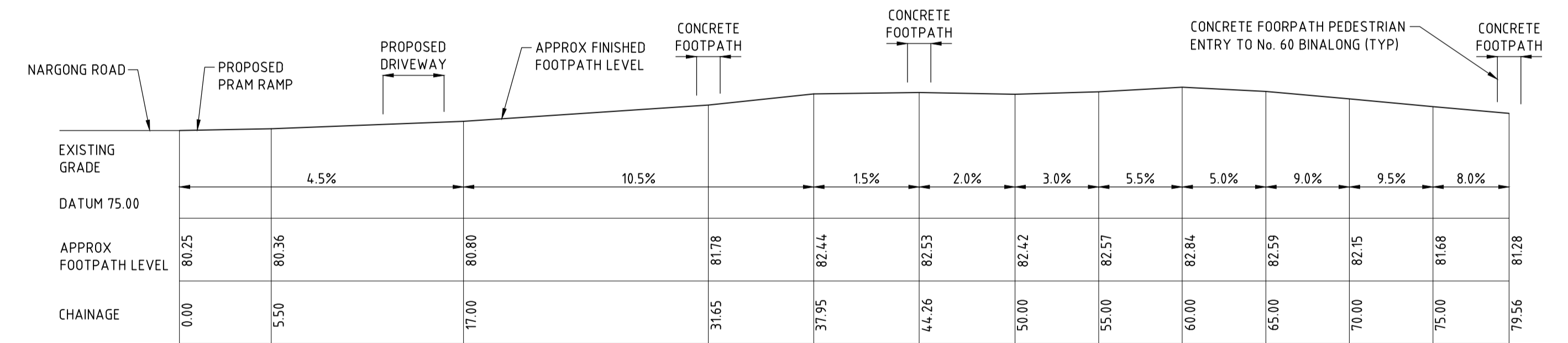
DRAWING NO.
11518-8/A



FOOTPATH 1 LONG-SECTION
 SCALE 1:250
 SHOWING GRADES FOR PROPOSED FOOTPATH 1



FOOTPATH 1 LONG-SECTION
 SCALE 1:250
 SHOWING GRADES FOR PROPOSED FOOTPATH 1



FOOTPATH 2 LONG-SECTION
 SCALE 1:250
 SHOWING GRADES FOR PROPOSED FOOTPATH 2

ISSUE DATE	REVISION
9 APRIL 2019	FOOTPATH LONG-SECTION AMENDED TO SUIT NEW PLANS

TITLE			
PROPOSED FOOTPATH LONG-SECTIONS 60 BINALONG AVENUE, ALLAMBIE HEIGHTS			
DRAWN	DATE	CHECKED	SCALE @ A1
MDB	21 MARCH 2019	<i>[Signature]</i>	1:250
BE Civil (Hons) MIE Aust.			

TAYLOR CONSULTING
 CIVIL & STRUCTURAL ENGINEERS

11518-9/A