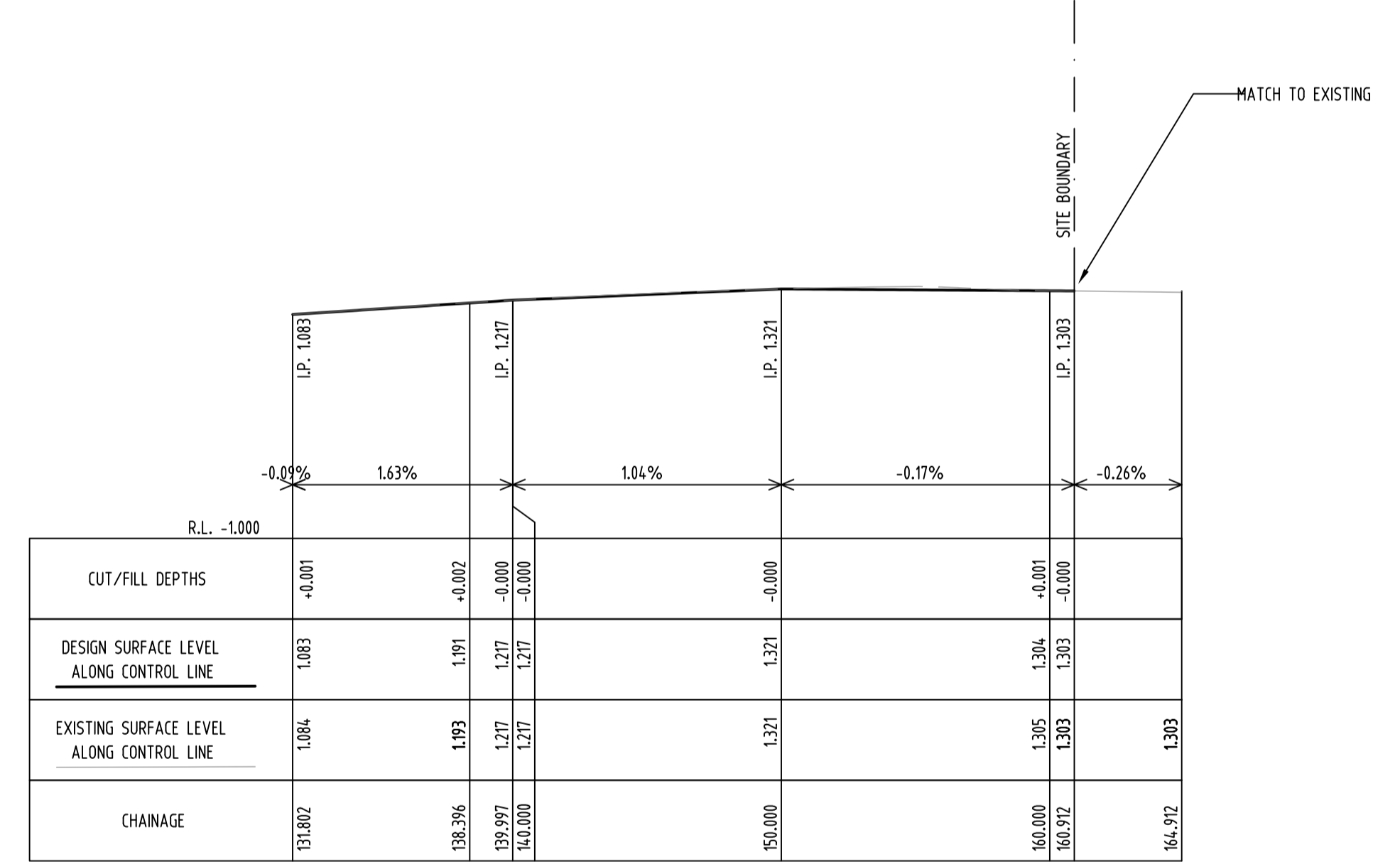


REFER BELOW FOR CONTINUATION

LONGITUDINAL SECTION ALONG CREEK CONTROL LINE - LS3

SCALE HORIZ 1:200, VERT 1:50



LONGITUDINAL SECTION ALONG CREEK CONTROL LINE - LS3

SCALE HORIZ 1:200, VERT 1:50

Discipline	Drawing Title and Number	Date	Rev.
ARCH			
ARCH			
STRUCT			
MECH			
ELEC			
HYD			
FIRE			
LANDS			
CIVIL			
SURVEY			

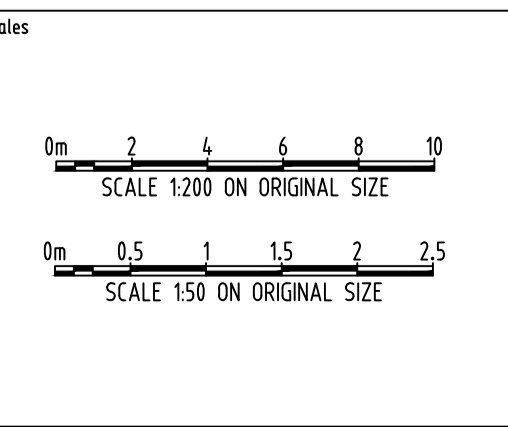
Issue	Issued For	Date	Status
A	ISSUED FOR COUNCIL APPROVAL	15.09.17	2
P1	ISSUED FOR COUNCIL APPROVAL	08.09.17	2

Issue	Last revision title	Date	Status

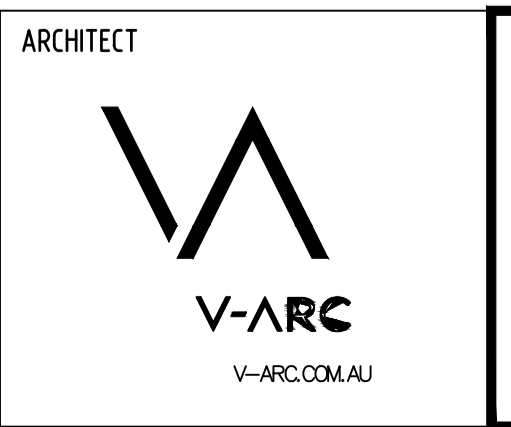
Issue	Internal sequence and revision history
1	1-preliminary
2	2-development application
3	3-construction certificate
4	4-tender
5	5-construction
6	6-other

Discipline	Checked	Date
ARCH		
ARCH		
STRUCT		
MECH		
ELEC		
HYD		
FIRE		
LANDS		
CIVIL		
SURVEY		

WARNING: THE DESIGNS, DRAWINGS, SPECIFICATIONS AND THE COPYRIGHT HEREIN REMAIN THE SOLE INTELLECTUAL PROPERTY OF S&G CONSULTANTS PTY LTD AND MUST NOT BE USED, COPIED, ALTERED OR REPRODUCED WHOLLY OR IN PART IN ANY FORM WITHOUT THE WRITTEN CONSENT OF S&G CONSULTANTS PTY LTD



CLIENT
THE KNOWLES GROUP- ARCADE



SGC
Engineering Value

Unit 412, Level 4,
14-16 LEXINGTON DRIVE
BELLA VISTA, NSW 2153
T: +61 2 8883 4239
F: +61 2 9672 6977
Email: office@sgce.com.au
Web: www.sgce.com.au

A.B.N. 21 118 222 530

PROJECT
PROPOSED RESIDENTIAL
SUBDIVISION & AGED CARE
23-27 WARRIEWOOD ROAD, WARRIEWOOD

Project No	Drawing No	Revision No
20160112	C-DA303	A

Drawing Status: FOR APPROVAL
NOT TO BE USED FOR CONSTRUCTION PURPOSES

Drawing Title: CIVIL WORKS
CREEK LONGITUDINAL SECTION
SHEET 3 of 4

Grid	Datum	Sheet	Scale (at original size)
-	A.H.D.	9 of 22	AS SHOWN