

GENERAL NOTES

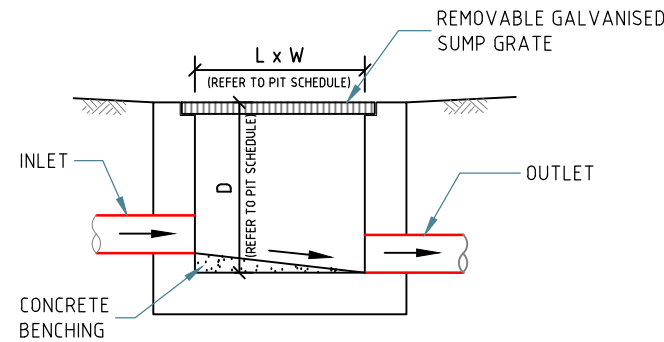
1. THE PLUMBER/ DRAINER SHALL INSPECT THE SITE AND CONFIRM THE EXISTING SITE STRUCTURES, SERVICES AND CONDITIONS PRIOR TO PROCEEDING. IF ANY DISCREPANCIES FOUND, CONTACT THE ENGINEER FOR DISCUSSION.
2. ALL WORKS TO BE CARRIED OUT IN ACCORDANCE WITH RELEVANT AUSTRALIAN STANDARDS, BUILDING CODE OF AUSTRALIA AND LOCAL GOVERNMENT'S REQUIREMENTS. IT IS THE RESPONSIBILITY OF THE PLUMBER/ DRAINER TO OBTAIN ANY APPROVALS/ PERMITS/ LICENSES ISSUED BY THE AUTHORITIES PRIOR TO PROCEEDING WITH STORMWATER WORKS.
3. UNLESS NOTED AS OTHERWISE, ALL DOWNPIPES TO BE $\phi 100$ ROUND (OR 100x75 RECTANGULAR) AND FULLY SEALED; ALL STORMWATER PIPES TO BE $\phi 100$ SEWER GRADE AND LAID AT 1% MIN. FALL. ALL MATERIALS USED IN THE WORK SHALL BE NEW AND CONFORM WITH RELEVANT AUSTRALIAN STANDARDS AND BEAR THE REQUIRED STANDARDS MARK.
4. LOCATION OF STORMWATER SYSTEMS, INCLUDING DOWNPIPES, PIPES, PITS AND RAINWATER TANK ARE INDICATIVE ONLY. EXACT LOCATION SHALL BE DETERMINED ON SITE TO SUIT SITE CONDITIONS.
5. SUB-SOIL DRAINS FOR RETAINING WALL SHALL BE INSTALLED BY THE BUILDER AND CONNECTED TO STORMWATER LINES. ALL AGG. LINES SHALL BE 100mm DIA., UNLESS NOTED OTHERWISE.
6. NATURAL GROUND LEVELS ALONG ALL BOUNDARIES MUST BE MAINTAINED UNALTERED. ALL RETAINING WALLS TO BE SETBACK FROM BOUNDARIES TO AVOID CONCENTRATION OF STORMWATER FLOWS.
7. LEVELS ARE APPROXIMATE ONLY. THE PLUMBER/ DRAINER SHALL CONFIRM THE LEVELS PRIOR TO PROCEEDING. IF ANY DISCREPANCIES FOUND, CONTACT THE ENGINEER FOR DISCUSSION.
8. INSPECTION AND CERTIFICATION, IF REQUIRED, SHALL BE DONE PRIOR TO BACKFILLING. ALLOW 24 HOUR NOTICE FOR THE ENGINEER TO CARRY OUT INSPECTION.
9. ANY DAMAGE TO SERVICES DURING CONSTRUCTION SHALL BE REPAIRED IMMEDIATELY AT THE PLUMBER/ DRAINER'S OWN EXPENSE.
10. THESE DRAWINGS ARE TO BE READ IN CONJUNCTION WITH:
 - ARCHITECTURAL PLAN BY NORTHERN BEACH DESIGNS, JOB No. 2004, DATED 14 FEBRUARY 2020.

BASIX REQUIREMENTS

THIS DEVELOPMENT HAS NO COMMITMENT ON RAINWATER REUSE UNDER BASIX CERTIFICATE.

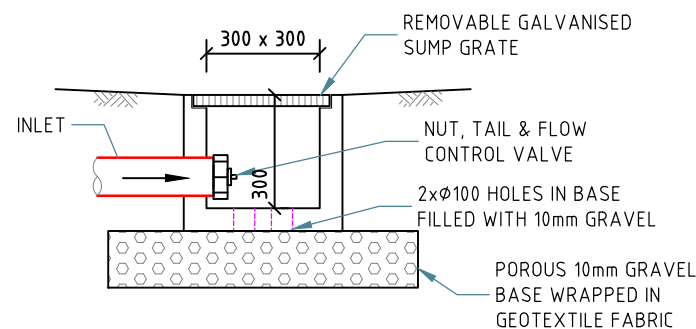
OSD REQUIREMENTS

THIS DEVELOPMENT IS AN ALTERATION AND ADDITION TO EXISTING DWELLING, OSD IS NOT REQUIRED.



GRADED PIT DETAILS

SCALE 1:20

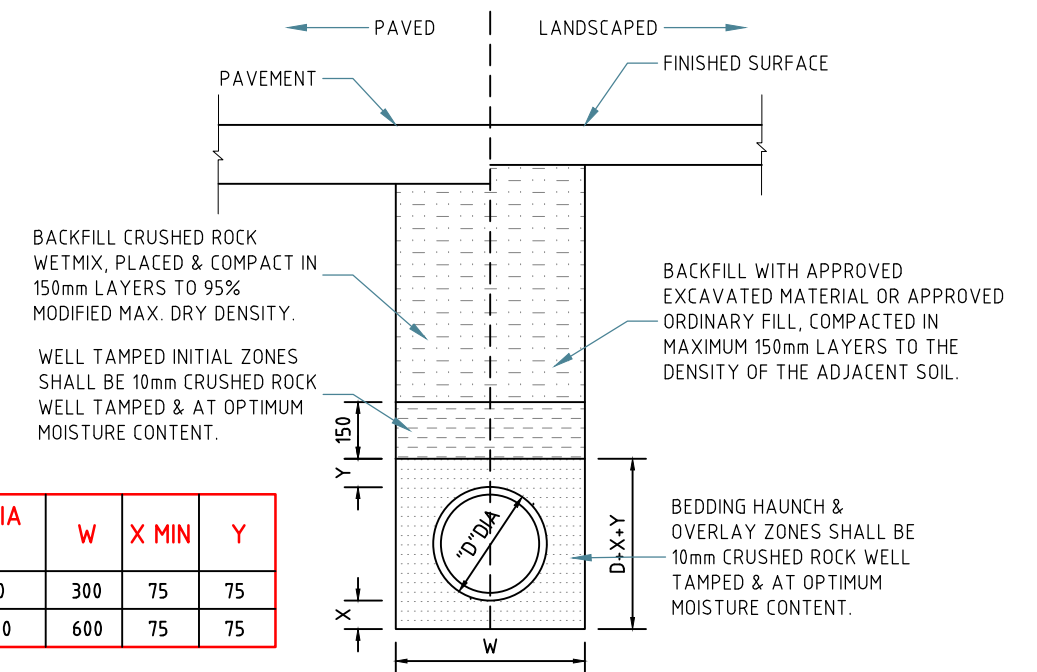


CLEAN-OUT/FIRST FLUSH PIT DETAILS

SCALE 1:20

MINIMUM PIPE COVER (FROM FINISHED SURFACE TO TOP OF PIPE)		
LOCATION	MINIMUM COVER (mm)	
	CAST/DUCTILE IRON GAL STEEL	OTHER AUTHORISED PRODUCTS (-)
1. NOT SUBJECT TO VEHICULAR LOADING: A. WITHOUT PAVEMENT i. FOR SINGLE DWELLING ii. OTHER THAN SINGLE DWELLING B. WITH PAVEMENT OF BRICK/UNREINFORCED CONCRETE	0	100
	0	300
	0(~~)	50(~~)
	0(~~#)	75(~~#)
2. SUBJECT TO VEHICULAR LOADING: A. OTHER THAN ROAD: i. WITHOUT PAVEMENT ii. WITH PAVEMENT OF: - REINFORCED CONC. FOR HEAVY VEHICLE - BRICK/UNREINF. CONC. LIGHT VEHICLE B. ROAD i. SEALED ii. UNSEALED	300	450
	0(~~#)	100(~~#)
	0(~~#)	75(~~#)
	300	500(#)
300	500(#)	
3. SUBJECT TO CONSTRUCTION VEHICLE OR IN ENBANKMENT CONDITION	300	500(#)

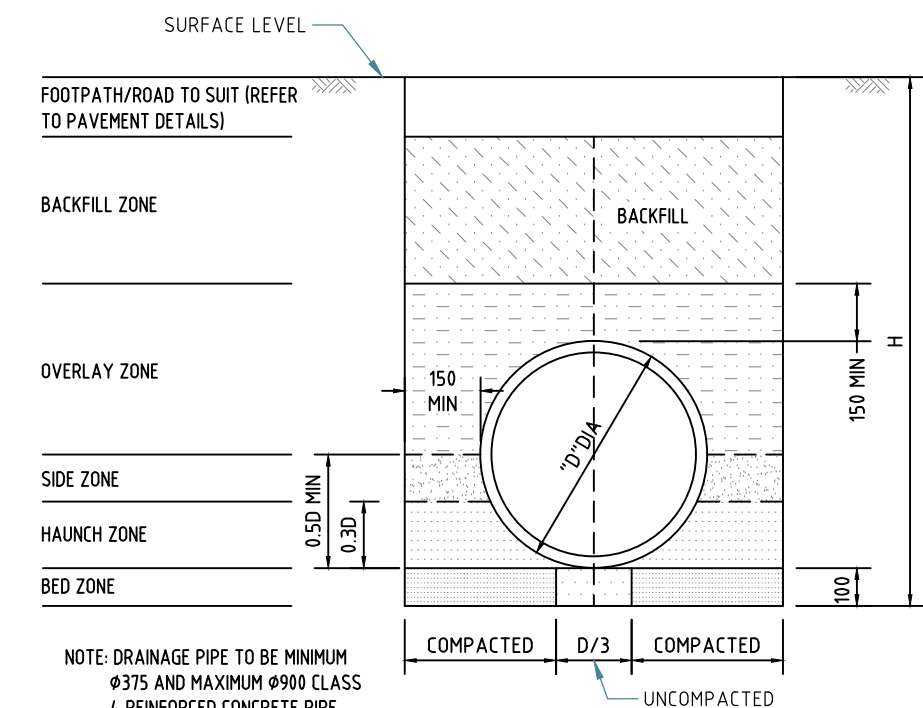
(-) INCLUDES OVERLAY ABOVE THE TOP OF THE PIPE OF NOT LESS THAN 50mm THICK
 (~~) BELOW THE UNDERSIDE OF THE PAVEMENT
 (#) SUBJECT TO COMPLIANCE WITH AS1762, AS2033, AS/NZS2566.1, AS3725 OR AS4060



PIPE DIA "D"	W	X MIN	Y
100-150	300	75	75
225-300	600	75	75

UPVC PIPE TRENCH BACKFILL TYP. DETAILS

SCALE 1:20



NOTE: DRAINAGE PIPE TO BE MINIMUM $\phi 375$ AND MAXIMUM $\phi 900$ CLASS 4 REINFORCED CONCRETE PIPE.

CONCRETE PIPE TRENCH BACKFILL TYP. DETAILS

SCALE 1:20

Paper size: A3
 All dimensions are in millimetres. Do not scale the drawing. Use written dimensions. Dimensions must be confirmed prior to commencement. Location of services are approximate only. Dial 1100 before any excavation or demolition.

Revisions	
Original issue	
Designed: HL	Checked: ...

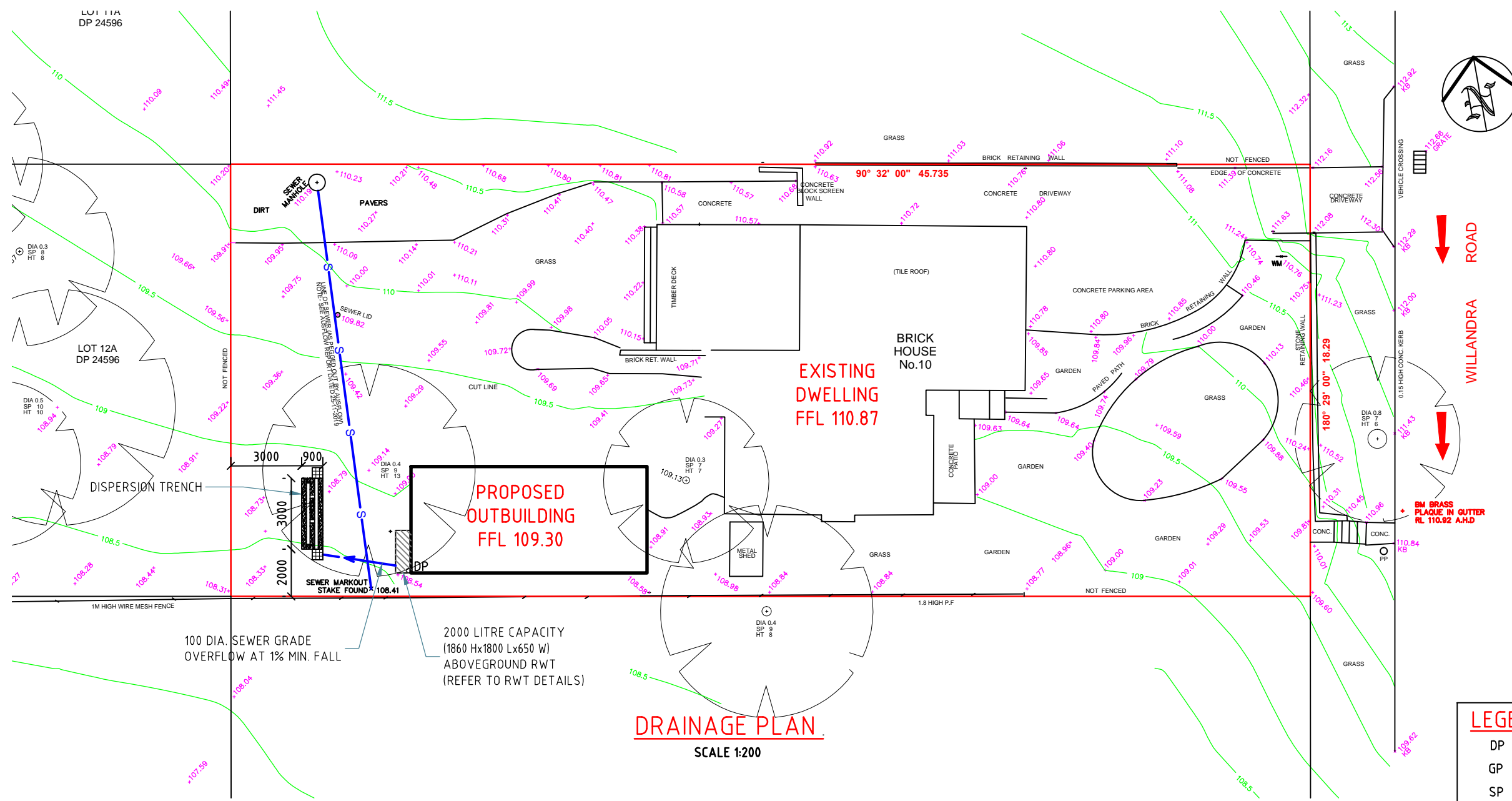
Approved:
 Quoc Huy Nguyen
 PhD (Eng), MIEAust, CPEng,
 NER Reg. No. 208 2513

NITMA
 CONSULTING
 NITMA CONSULTING PTY LTD
 PO Box 43, West Ryde NSW 1685
 M: 0434 284 585
 E: admin@nitma.com.au
 W: nitma.com.au
 © Copyright. All rights reserved.

PROJECT: PROPOSED ALTERATIONS AND ADDITIONS
 ADDRESS: 10 WILLANDRA ROAD, BEACON HILL
 LGA: NORTHERN BEACHES COUNCIL

NOTES & STANDARD DETAILS

Project No: 4209H Issue: A Date: 25.02.2020 Sheet No: 1 of 3



DRAINAGE PLAN
SCALE 1:200

LEGEND:	
DP	DOWNPIPE
GP	GRATED PIT
SP	SILT ARRESTOR PIT
CP	CLEAN-OUT PIT
SL	SURFACE LEVEL
IL	INVERT LEVEL
KO	KERB OUTLET
	225x100 GRATED BOX DRAIN
	ROOF - WATER PIPELINE
	SURFACE - WATER PIPELINE
	CLEAN- OUT PIPELINE
	SURFACE RUNOFF DIRECTION
	EARTH-MOUND SWALE OR DISH DRAIN
	EXISTING GROUND CONTOUR
	PROPOSED GROUND LEVEL
	100 DIA. YARD SUMP OR 250 SQ. GRATED PIT

Paper size: **A3**
All dimensions are in millimetres. Do not scale the drawing. Use written dimensions. Dimensions must be confirmed prior to commencement. Location of services are approximate only. Dial 1100 before any excavation or demolition.

Revisions	
Original issue	
Designed: HL	Checked: ...

Approved:

Quoc Huy Nguyen
PhD (Eng), MIEAust, CPEng,
NER Reg. No. 208 2513

NITMA
CONSULTING

NITMA CONSULTING PTY LTD
PO Box 43, West Ryde NSW 1685
M: 0434 284 585
E: admin@nitma.com.au
W: nitma.com.au
© Copyright. All rights reserved.

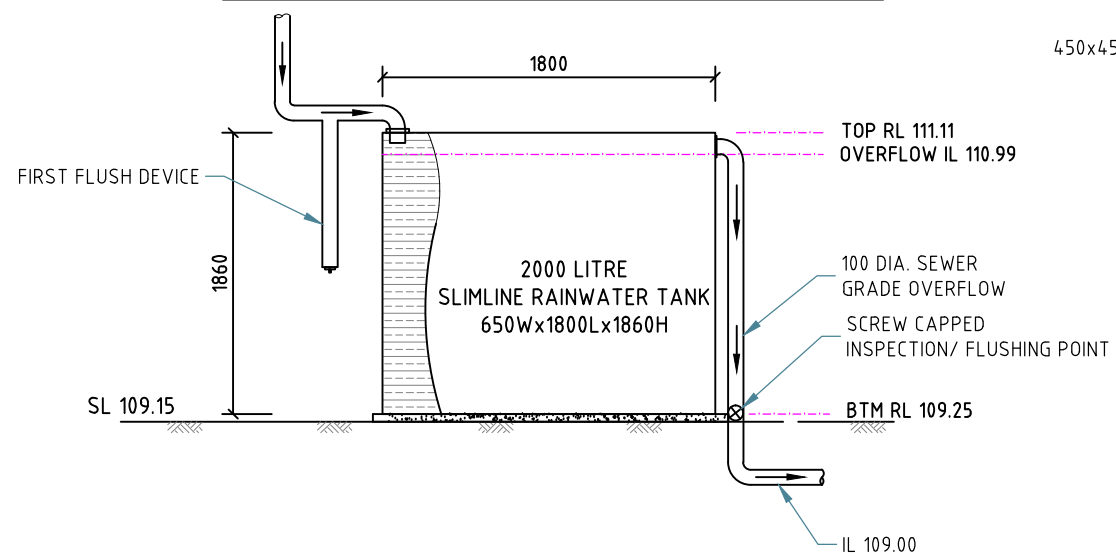
PROJECT: PROPOSED ALTERATIONS AND ADDITIONS
ADDRESS: 10 WILLANDRA ROAD, BEACON HILL
LGA: NORTHERN BEACHES COUNCIL

DRAINAGE PLAN

Project No: 4209H Issue: A Date: 25.02.2020 Sheet No: **2** of 3

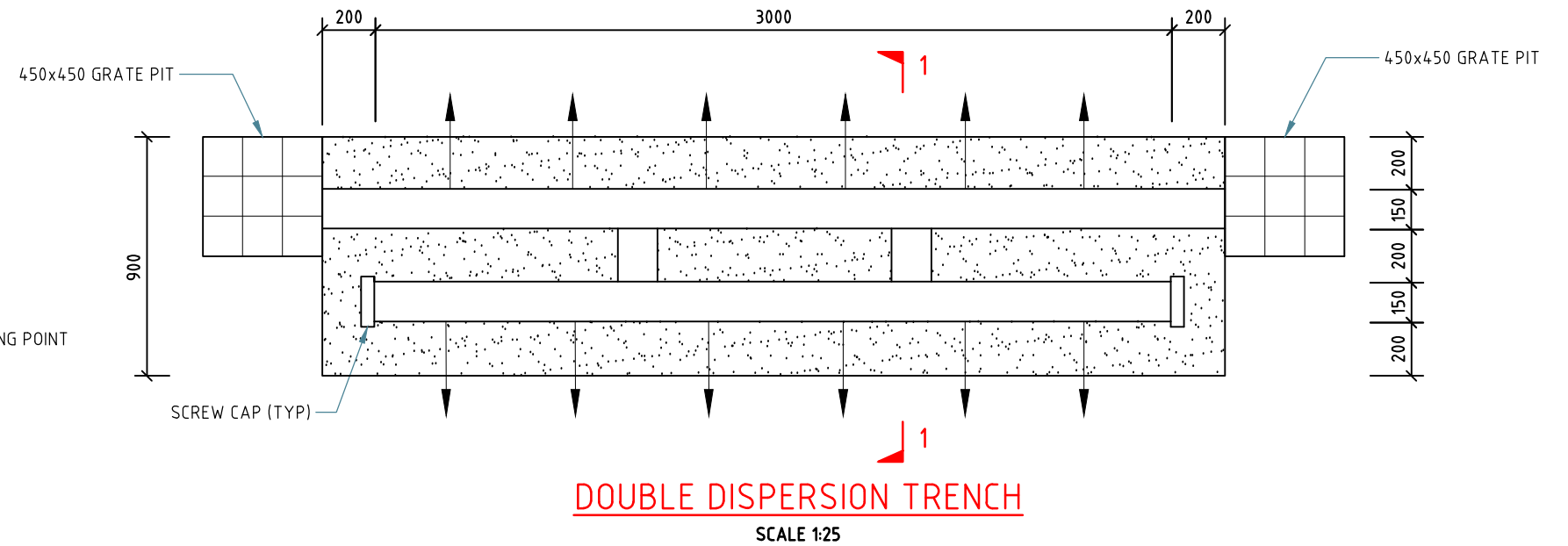
RAINWATER TANK NOTES:

1. RAINWATER TANKS BY TANKWORKS AUSTRALIA (TEL: 1300 736 562) OR SIMILAR (MUST BE STEEL OR CONCRETE).
2. DIMENSIONS ARE INDICATIVE ONLY. EXACT DETAILS TO MANUFACTURER'S SPECIFICATIONS.
3. A FIRST FLUSH DEVICE IN ACCORDANCE WITH MANUFACTURER'S SPECIFICATIONS SHALL BE FITTED TO RAINWATER TANK SYSTEM TO FLUSH OUT THE FIRST 0.5mm OF RUN-OFF FROM THE ROOF AREA THAT DRAINED INTO THE TANK (E.G. 0.5L/m²).
4. RAINWATER OUTLET CONNECTIONS AS PER BASIX CERTIFICATE.



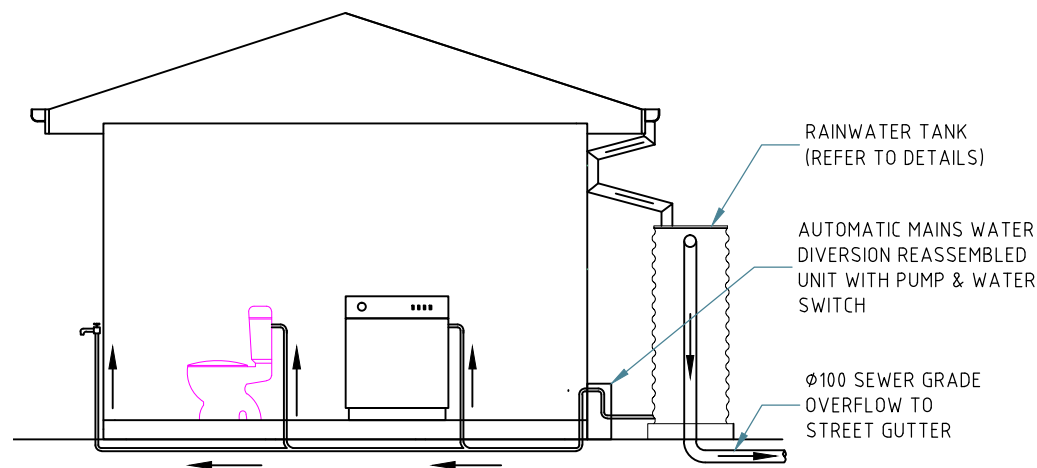
RAINWATER TANK DETAILS.

NOT TO SCALE



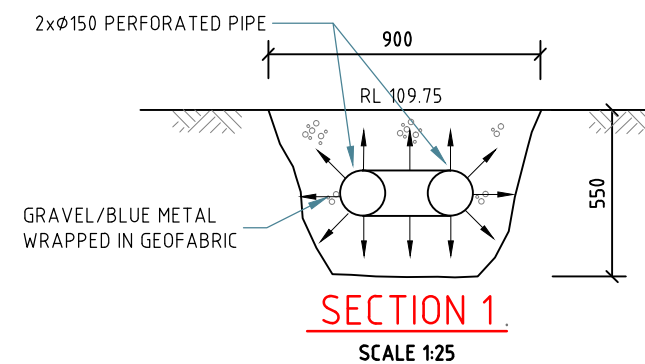
DOUBLE DISPERSION TRENCH

SCALE 1:25



ABOVEGROUND RWT INSTALLATION.

SCALE 1:50



SECTION 1.

SCALE 1:25

Paper size: **A3**
All dimensions are in millimetres. Do not scale the drawing. Use written dimensions. Dimensions must be confirmed prior to commencement. Location of services are approximate only. Dial 1100 before any excavation or demolition.

Revisions	
Original issue	
Designed: HL	Checked: ...

Approved:

Quoc Huy Nguyen
PhD (Eng), MIEAust, CPEng,
NER Reg. No. 208 2513

NITMA CONSULTING PTY LTD
PO Box 43, West Ryde NSW 1685
M: 0434 284 585
E: admin@nitma.com.au
W: nitma.com.au
© Copyright. All rights reserved.

PROJECT: PROPOSED ALTERATIONS AND ADDITIONS
ADDRESS: 10 WILLANDRA ROAD, BEACON HILL
LGA: NORTHERN BEACHES COUNCIL
RWT AND DISPERSION DETAILS
Project No: 4209H Issue: A Date: 25.02.2020 Sheet No: **3** of 3