

# ALTERATIONS & ADDITIONS

## AT 20 IDALINE STREET, COLLARROY PLATEAU

### GENERAL

- G1** These drawings shall be read in conjunction with all architectural and other consultants drawings and specifications and with such other written instructions and sketches as may be issued during the course of the Contract. Any discrepancies shall be referred to the Superintendent before proceeding with any related works. Construction from these drawings, and their associated consultant's drawings is not to commence until approved by the Local Authorities.
- G2** All materials and workmanship shall be in accordance with the relevant and current Standards Australia codes and with the By-Laws and Ordinances of the relevant building authorities except where varied by the project specification.
- G3** All set out dimensions shall be obtained from Architect's and Engineer's details. All discrepancies shall be referred to the Architect and Engineer for decision before proceeding with related work.
- G4** During construction the structure shall be maintained in a stable condition and no part shall be overstressed. Temporary bracing shall be provided by the builder/subcontractor to keep the works and excavations stable at all times.
- G5** Unless noted otherwise levels are in metres and dimensions are in millimetres.
- G6** The alignment and level of all services shown are approximate only. The contractor shall confirm the position and level of all services prior to commencement of construction. Any damage to services shall be rectified at the contractors expense.
- G7** Any substitution of materials shall be approved by the Engineer and included in any tender.
- G8** All services, or conduits for servicing shall be installed prior to commencement of pavement construction.
- G9** Subsoil drainage, comprising 100 agriculture pipe in geo-stocking to be placed as shown and as may be directed by the superintendent. Subsoil drainage shall be constructed in accordance with the relevant local authority construction specification.
- G10** The structural components detailed on these drawings have been designed in accordance with the relevant Standards Australia codes and Local Government Ordinances for the following loadings. Refer to the Architectural drawings for proposed floor usage. Refer to drawings for live loads and superimposed dead loads.

### DRAINAGE NOTES

- D1** All drainage levels to be confirmed on site, prior to any construction commencing.
- D2** All pipes within the property to be a minimum of 100 dia upvc @ 1% minimum grade, uno.
- D3** All pits within the property are to be fitted with "weldlok" or approved equivalent grates:  
- Light duty for landscaped areas  
- Heavy duty where subjected to vehicular traffic
- D4** All pits within the property to be constructed as one of the following:  
1) Precast stormwater pits  
2) Cast in situ mass concrete  
3) Cement rendered 230mm brickwork subject to the relevant local authority construction specification.
- D5** Ensure all grates to pits are set below finished surface level within the property. Top of pit RL's are approximate only and may be varied subject to approval of the engineer. All invert levels are to be achieved.
- D6** Any pipes beneath relevant local authority road to be rubber ring jointed RCP, uno.
- D7** All pits in roadways are to be fitted with heavy duty grates with locking bolts and continuous hinge.
- D8** Provide step irons to stormwater pits greater than 1200 in depth.
- D9** Trench back fill in roadways shall comprise sharp, clean granular back fill in accordance with the relevant local authority specification to non-trafficable areas to be compacted by rodding and tamping using a flat plate vibrator.
- D10** Where a high early discharge (hed) pit is provided all pipes are to be connected to the hed pit, uno.
- D11** Down pipes shall be a minimum of dn100 sw grade upvc or 100 x100 colorbond/zincalume steel, uno.
- D12** Colorbond or zincalume steel box gutters shall be a minimum of 450 wide x 150 deep.
- D13** Eaves gutters shall be a minimum of 125 wide x 100 deep (or of equivalent area) colorbond or zincalume steel, uno.
- D14** Subsoil drainage shall be provided to all retaining walls & embankments, with the lines feeding into the stormwater drainage system, uno.

### EROSION AND SEDIMENT CONTROL NOTES

- E1** These notes are to be read in conjunction with erosion and sediment control details in this drawing set.
- E2** The contractor shall implement all soil erosion and sediment control measures as necessary and to the satisfaction of the relevant local authority prior to the commencement of and during construction. No disturbance to the site shall be permitted other than in the immediate area of the works and no material shall be removed from the site without the relevant local authority approval. All erosion and sediment control devices to be installed and maintained in accordance with standards outlined in nsw department of housing's "managing urban stormwater - soils and constructions".
- E3** Place straw bales length wise in a row as parallel as possible to the site contours, uno. Bale ends to be tightly butted. Bales are to be placed so that straws are parallel to the row. Bales are to be placed 1.5m to 2m down slope from the toe of the disturbed batter, uno.
- E4** Council approved filter fabric to be entrenched 150mm deep upslope towards disturbed surface. Fabric to be a minimum SF2000 or better. Fix fabric to posts with wire ties or as recommended with manufacturer's specifications. Fabric joints to have a minimum of 150mm overlap. Wire to be strung between posts with filter fabric overlap to prevent sagging.
- E5** Stabilised entry/exit points to remain intact until finished driveway is complete. Construction of entry/exit points to be maintained and repaired as required so that it's function is not compromised. Construction of entry/exit point to be in accordance with the detail contained within this drawing set.
- E6** All drainage pipe inlets to be capped until:  
- downpipes connected  
- pits constructed and protected with silt barrier
- E6** Provide and maintain silt traps around all surface inlet pits until catchment is revegetated or paved.
- E7** The contractor shall regularly maintain all erosion and sediment control devices and remove accumulated silt from such devices such that more than 60% of their capacity is lost. All the silt is to be placed outside the limit of works. The period for maintaining these devices shall be at least until all disturbed areas are revegetated and further as may be directed by the superintendent or council.
- E8** The contractor shall implement dust control by regularly wetting down (but not saturating) disturbed area.
- E9** Topsoil shall be stripped and stockpiled outside hazard areas such as drainage lines. This topsoil shall be respread later on areas to be revegetated and stabilised only. (i.e. all footpaths, batters, site regarding areas, basins and catchdrains). Topsoil shall not be respread on any other areas unless specifically instructed by the superintendent. If they are to remain for longer than one month stockpiles shall be protected from erosion by covering them with a mulch and hydroseeding and, if necessary, by locating banks or drains downstream of a stockpile to retard silt laden runoff.
- E10** Lay 300 wide minimum turf strip on 100 topsoil behind all kerb and gutter with 1000 long returns every 6000 and around structures immediately after backfilling as per the relevant local authority specification.
- E11** The contractor shall grass seed all disturbed areas with an approved mix as soon as practicable after completion of earthworks and regrading.
- E12** Revegetate all trenches immediately upon completion of backfilling.
- E13** When any devices are to be handed over to council they shall be in clean and stable condition.

### STANDARD LINE TYPES AND SYMBOLS

	PROPOSED KERB & GUTTER
	EXISTING KERB & GUTTER
	PROPOSED BELOW GROUND PIPELINE
	PROPOSED SUSPENDED PIPELINE
	EXISTING PIPELINE
	SUBSOIL DRAINAGE LINE
	PROPOSED KERB INLET PIT
	EXISTING KERB INLET PIT
	PROPOSED JUNCTION OR INLET PIT
	EXISTING JUNCTION OR INLET PIT
	DESIGN CENTRELINE
	EXISTING EDGE OF BITUMEN
	TELECOMMUNICATION CONDUIT
	GAS MAIN
	WATER MAIN
	SEWER MAIN
	UNDERGROUND ELECTRICITY CABLES
	PERMANENT MARK & S.S.M.
	BENCHMARK, SURVEY STATION

### STANDARD LINE TYPES AND SYMBOLS

	OVERLAND FLOW PATH
	GUTTER DRAINAGE DIRECTION
	DOWNPIPE
	DOWNPIPE WITH SIDE OVERFLOW
	PERVIOUS (GRASSED) AREAS
	EXISTING (PRE-DEVELOPMENT) RL
	POST DEVELOPMENT RL
	GRADED IMPERVIOUS AREA (ROOF, CONC SLABS ETC)
	SEDIMENT FENCE
	CROSSING PIPES
	NODE POINT

### LEGEND

AHD	Australian height datum	SS	Stainless steel
AG	Ag pipe (Sub soil drainage)	SU	Box gutter sump
ARI	Average recurrence interval	TW	Top of wall
BG	Box Gutter	TWL	Top water level
BWL	Bottom water level	U/S	Underside of slab
CL	Cover level	VG	Vally gutter
CO	Clean out inspection opening	UNO	Unless noted otherwise
DCP	Discharge control pit		
DP	Down pipe		
DRP	Dropper pipe		
EBG	Existing box gutter		
EDP	Existing down pipe		
EEG	Existing eaves gutter		
EG	Eaves gutter		
FRC	Fiber reinforced concrete		
FW	Floor waste		
GD	Grated drain		
GSDP	Grated surface inlet pit		
HED	High early discharge		
HP	High point of gutter		
IL	Invert level		
IO	Inspection opening		
O/F	Overflow		
OSD	On-site detention		
PSD	Permissible site discharge		
P1	Pipe 1		
RCP	Reinforced concrete pipe		
RHS	Rectangular hollow section		
RL	Reduced level		
RRJ	Rubber ring joint		
RRT	Rainwater re-use tank		
RWH	Rain water head		
RWO	Rain water outlet		
SLAP	Sealed lid access pit		
SP	Spreader pipe		
SPR	Spreader		

### RECOMMENDED MAINTENANCE SCHEDULE

DISCHARGE CONTROL PIT (DCP)	FREQUENCY	RESPONSIBILITY	PROCEDURE
Inspect flap valve and remove any blockage.	Six monthly	Owner	Remove grate. Ensure flap valve moves freely and remove any blockages or debris.
Inspect screen and clean.	Six monthly	Owner	Remove grate and screen if required and clean it.
Inspect & remove any blockage of orifice.	Six monthly	Owner	Remove grate & screen to inspect orifice. see plan for location of dcp.
Inspect dcp sump & remove any sediment-sludge.	Six monthly	Owner	Remove grate and screen. Remove sediment/sludge build-up and check orifice and flap valve clear.
Inspect grate for damage or blockage.	Six monthly	Owner	Check both sides of grate for corrosion, (especially corners and welds) damage or blockage.
Inspect return pipe from storage and return any blockage.	Six monthly	Owner	Remove grate and screen. ventilate underground storage if present. open flap valve and remove any blockages in return line. Check for sludge/debris on upstream side of return line.
Inspect outlet pipe and remove any blockage.	Six monthly	Maintenance Contractor	Remove grate and screen. ventilate underground storage if present. Check orifice and remove any blockages in outlet pipe. Flush outlet pipe to confirm it drains freely. Check for sludge/debris on upstream side of return line.
Check fixing of step irons is secure.	Six monthly	Maintenance Contractor	Remove grate and ensure fixings secure prior to placing weight on step iron.
Inspect overflow weir & remove any blockage.	Six monthly	Maintenance Contractor	Remove grate and open cover to ventilate underground storage if present. ensure weir clear of blockages.
Empty basket at overflow weir (if present).	Six monthly	Maintenance Contractor	Remove grate and ventilate underground storage chamber if present. Empty basket, check fixings secure and not corroded.
Check attachment of orifice plate to wall of pit (gaps less than 5 mm).	Annually	Maintenance Contractor	Remove grate and screen. ensure plate mounted securely, tighten fixings if required. seal gaps as required.
Check attachment of screen to wall of pit.	Annually	Maintenance Contractor	Remove grate and screen. ensure screen fixings secure. repair as required.
Check screen for corrosion.	Annually	Maintenance Contractor	Remove grate and examine screen for rust or corrosion, especially at corners or welds.
Check attachment of flap valve to wall of .	Annually	Maintenance Contractor	Remove grate. Ensure fixings of valve are secure.
Check flap valve seals against wall of pit.	Annually	Maintenance Contractor	Remove grate. fill pit with water and check that flap seals against side of pit with minimal leakage.
Check any hinges of flap valve move freely.	Annually	Maintenance Contractor	Remove grate. Test valve hinge by moving flap to full extent.
Inspect dcp walls (internal and external, if appropriate) for cracks or spalling.	Annually	Maintenance Contractor	Remove grate to inspect internal walls. Repair as required. Clear vegetation from external walls if necessary and repair as required.
Check step irons for corrosion.	Annually	Maintenance Contractor	Remove grate. Examine step irons and repair any corrosion or damage.
Check orifice diameter correct and retains sharp edge.	Five yearly	Maintenance Contractor	Compare diameter to design (see work-as- executed) and ensure edge is not pitted or damaged.
STORAGE			
Inspect & remove any blockage of orifice.	Six monthly	Owner	Remove grate and screen. remove sediment/sludge build-up.
Check orifice diameter correct and retains sharp edge.	Six monthly	Owner	Remove blockages from grate and check if pit blocked.
Inspect screen and clean.	Six monthly	Owner	Remove debris and floatable material likely to be carried to grates.
Check attachment of orifice plate to wall of pit (gaps less than 5 mm).	Annually	Maintenance Contractor	Remove grate to inspect internal walls. repair as required. clear vegetation from external walls if necessary and repair as required.
Check attachment of screen to wall of pit.	Five yearly	Maintenance Contractor	Compare actual storage available with work-as executed plans. If volume loss is greater than 5%, arrange for reconstruction to replace the volume lost. Council to be notified of the proposal.
Check attachment of screen to wall of pit.	Five yearly	Maintenance Contractor	Check along drainage lines and at pits for subsidence likely to indicate leakages.

NOTE: DO NOT SCALE OFF DRAWINGS. REFER TO ARCHITECTURAL PLANS. VERIFY DIMENSIONS ON SITE

REV	DATE	DESCRIPTION	BY
B	26.06.19	REVISED RWT LOCATION	F.I.
A	21.06.19	ISSUED FOR APPROVAL	F.I.

COPYRIGHT  
All rights reserved.  
These drawings, plans and specifications and the copyright are the property of Engineering Studio and must not be used, reproduced or copied wholly or in part without the written permission of Engineering Studio.



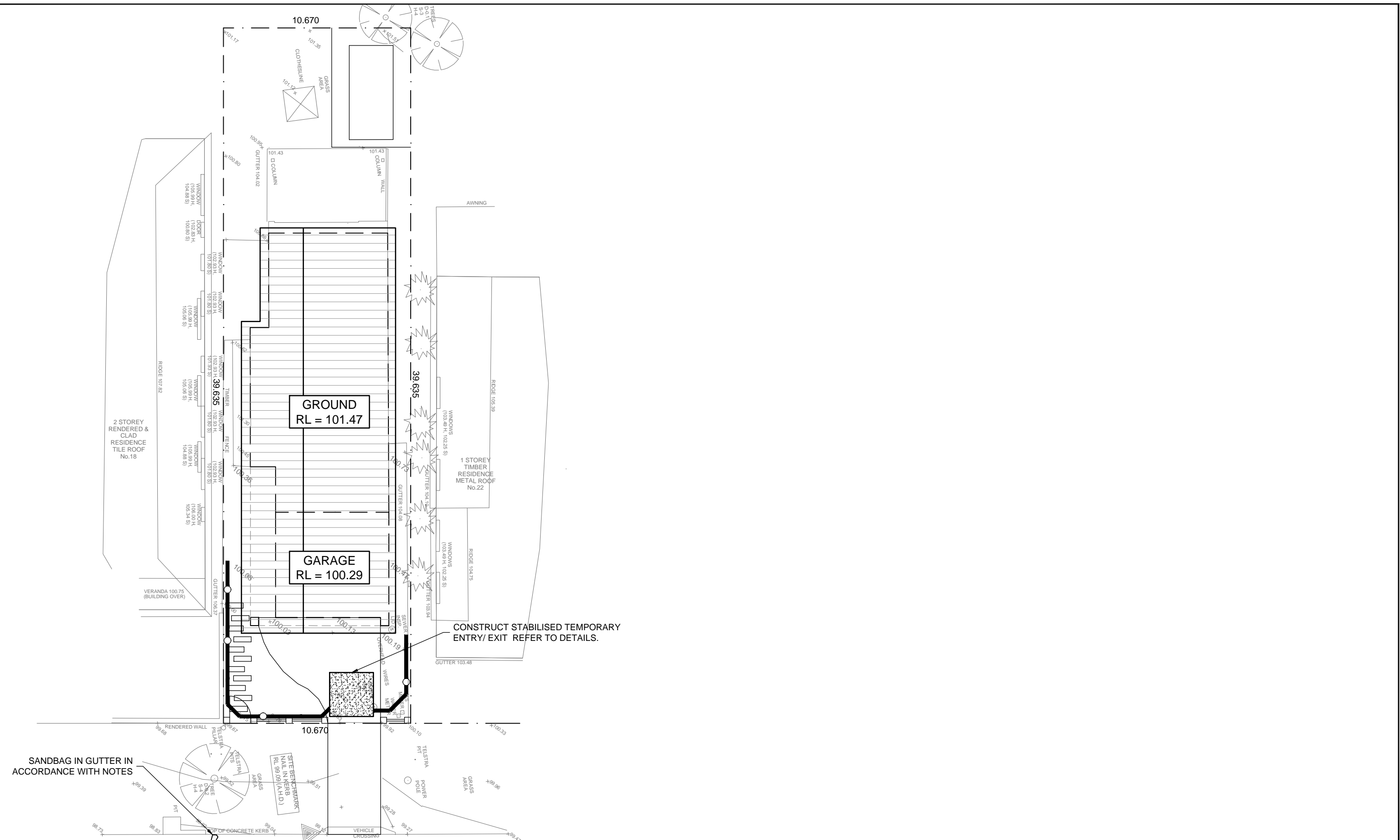
Phone: (02) 8020 2960  
Email: info@engineeringstudio.com.au  
Web: www.engineeringstudio.com.au

Postal Address  
PO Box 7191  
BAULKHAM HILLS NSW 2153

**ALTERATIONS & ADDITIONS**  
AT 20 IDALINE STREET, COLLARROY PLATEAU  
FOR DISTINCT INNOVATIONS

**GENERAL NOTES**

JOB NUMBER: 19363	DWG NUMBER: C00.01	ORIGINAL SIZE: A3
DESIGNED BY: F.I.	DATE: JUNE 2019	
DRAWN BY: F.I.	SCALE: N.T.S	



### SEDIMENT & EROSION CONTROL PLAN

1:200  
 —●— DENOTES SEDIMENT FENCE

NOTE: DO NOT SCALE OFF DRAWINGS. REFER TO ARCHITECTURAL PLANS. VERIFY DIMENSIONS ON SITE

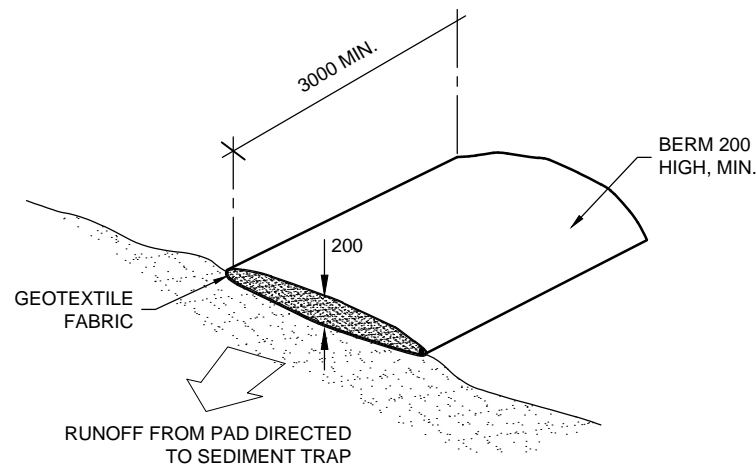
REV	DATE	DESCRIPTION	BY
B	26.06.19	REVISED RWT LOCATION	F.I.
A	21.06.19	ISSUED FOR APPROVAL	F.I.

**COPYRIGHT**  
 All rights reserved.  
 These drawings, plans and specifications and the copyright are the property of Engineering Studio and must not be used, reproduced or copied wholly or in part without the written permission of Engineering Studio.

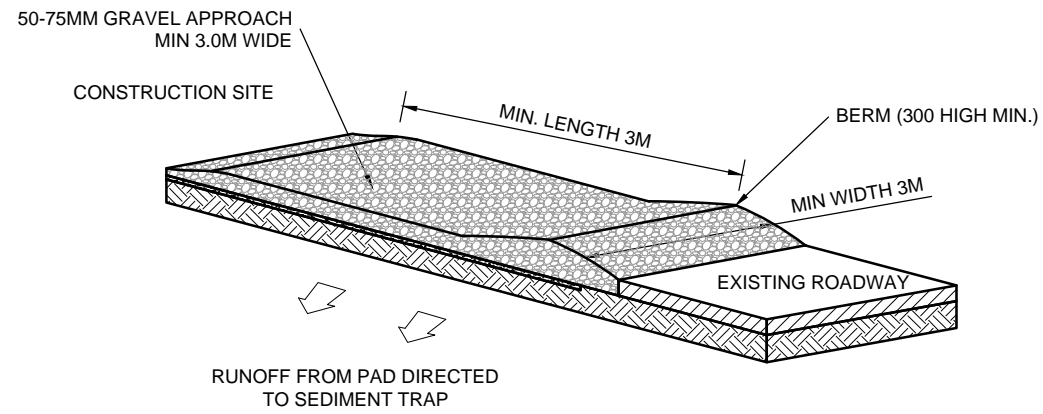
**EngineeringStudio**  
 CMI & Structural  
 Phone: (02) 8020 2960  
 Email: info@engineeringstudio.com.au  
 Web: www.engineeringstudio.com.au  
 Postal Address  
 PO Box 7191  
 BAULKHAM HILLS NSW 2153

**ALTERATIONS & ADDITIONS**  
 AT 20 IDALINE STREET, COLLARROY PLATEAU  
 FOR DISTINCT INNOVATIONS  
**SEDIMENT & EROSION CONTROL PLAN**

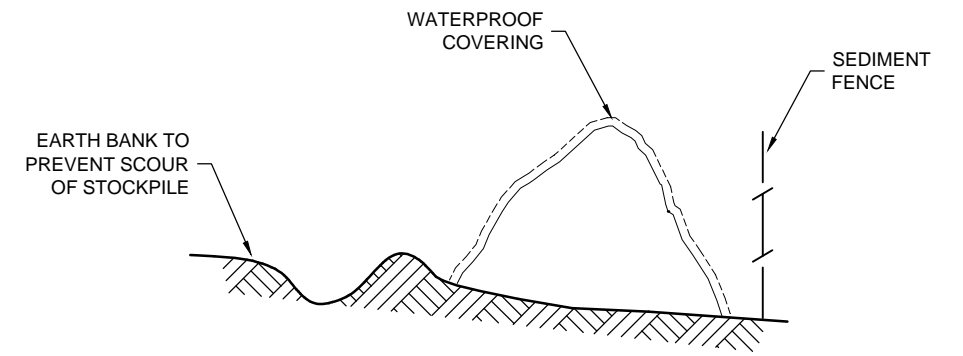
JOB NUMBER: 19363	DWG NUMBER: C01.01	ORIGINAL SIZE: A3
DESIGNED BY: F.I.	DATE: JUNE 2019	
DRAWN BY: F.I.	SCALE: 1:200 U.N.O	



OPTION 1 - EXISTING DRIVEWAY TO REMAIN



OPTION 2 - DRIVEWAY TO BE RENEWED



**BUILDING MATERIAL STOCKPILES**

N.T.S

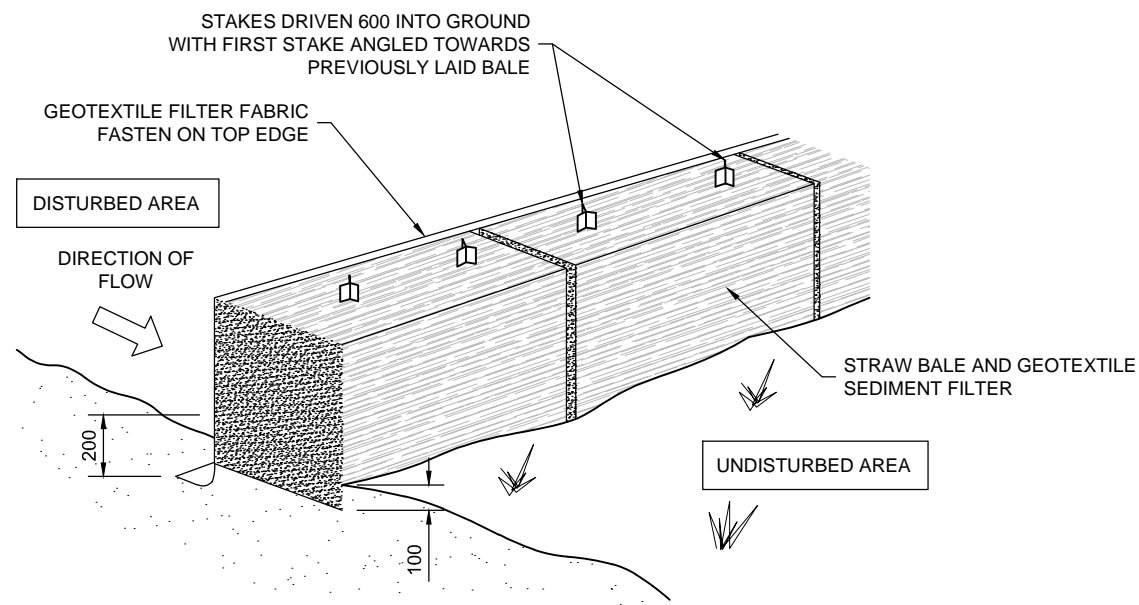
ALL STOCKPILES OF BUILDING MATERIAL SUCH AS SAND AND SOIL MUST BE PROTECTED TO PREVENT SCOUR AND EROSION.

THEY SHOULD NEVER BE PLACED IN THE STREET GUTTER WHERE THEY WILL WASH AWAY WITH THE FIRST RAINSTORM.

**VEHICLE ACCESS TO SITE**

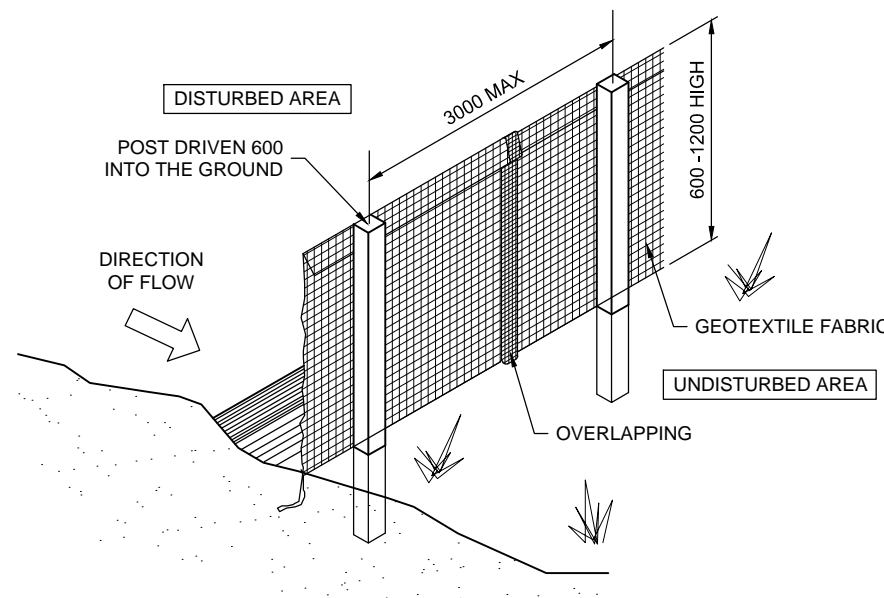
N.T.S

VEHICLE ACCESS TO THE BUILDING SITE SHOULD BE RESTRICTED TO A SINGLE POINT SO AS TO REDUCE THE AMOUNT OF SOIL DEPOSITED ON THE STREET PAVEMENT.



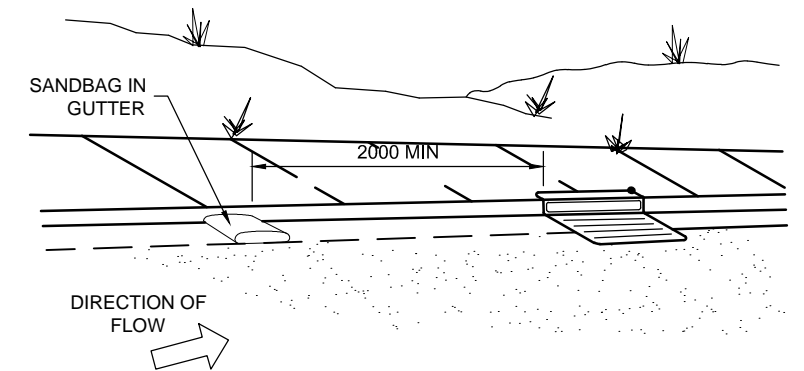
**STRAW BALE DETAIL**

N.T.S



**SEDIMENT AND EROSION FENCE DETAIL**

N.T.S



**SANDBAG KERB SEDIMENT TRAP**

N.T.S

IN CERTAIN CIRCUMSTANCES EXTRA SEDIMENT TRAPPING MAY BE NEEDED IN THE STREET GUTTER.

NOTE: DO NOT SCALE OFF DRAWINGS. REFER TO ARCHITECTURAL PLANS. VERIFY DIMENSIONS ON SITE

REV	DATE	DESCRIPTION	BY
B	26.06.19	REVISED RWT LOCATION	F.I.
A	21.06.19	ISSUED FOR APPROVAL	F.I.

COPYRIGHT  
All rights reserved.  
These drawings, plans and specifications and the copyright are the property of Engineering Studio and must not be used, reproduced or copied wholly or in part without the written permission of Engineering Studio.

**EngineeringStudio**  
CMI & Structural

Phone: (02) 8020 2960  
Email: info@engineeringstudio.com.au  
Web: www.engineeringstudio.com.au

Postal Address  
PO Box 7191  
BAULKHAM HILLS NSW 2153

**ALTERATIONS & ADDITIONS**  
AT 20 IDALINE STREET, COLLARROY PLATEAU  
FOR DISTINCT INNOVATIONS

**SEDIMENT & EROSION CONTROL DETAILS**

JOB NUMBER:	DWG NUMBER:	ORIGINAL SIZE:
19363	C01.02	A3
DESIGNED BY:	DATE:	
F.I.	JUNE 2019	
DRAWN BY:	SCALE:	
F.I.	1:20 U.N.O	

### STORMWATER DESIGN SUMMARY

COUNCIL: NORTHERN BEACHES COUNCIL  
 100 YEAR, 5 MIN STORM = 266 mm/hr  
 20 YEAR, 5 MIN STORM = 199 mm/hr

TOTAL SITE AREA = 422.9 m<sup>2</sup>

PROPOSED ROOF AREA = 197.2 m<sup>2</sup>




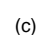

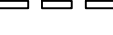

NO OSD IS REQUIRED FOR ALTERATIONS & ADDITIONS TO SINGLE RESIDENTIAL DWELLINGS IN ACCORDANCE WITH COUNCIL'S ON-SITE STORMWATER DETENTION TECHNICAL SPECIFICATION.

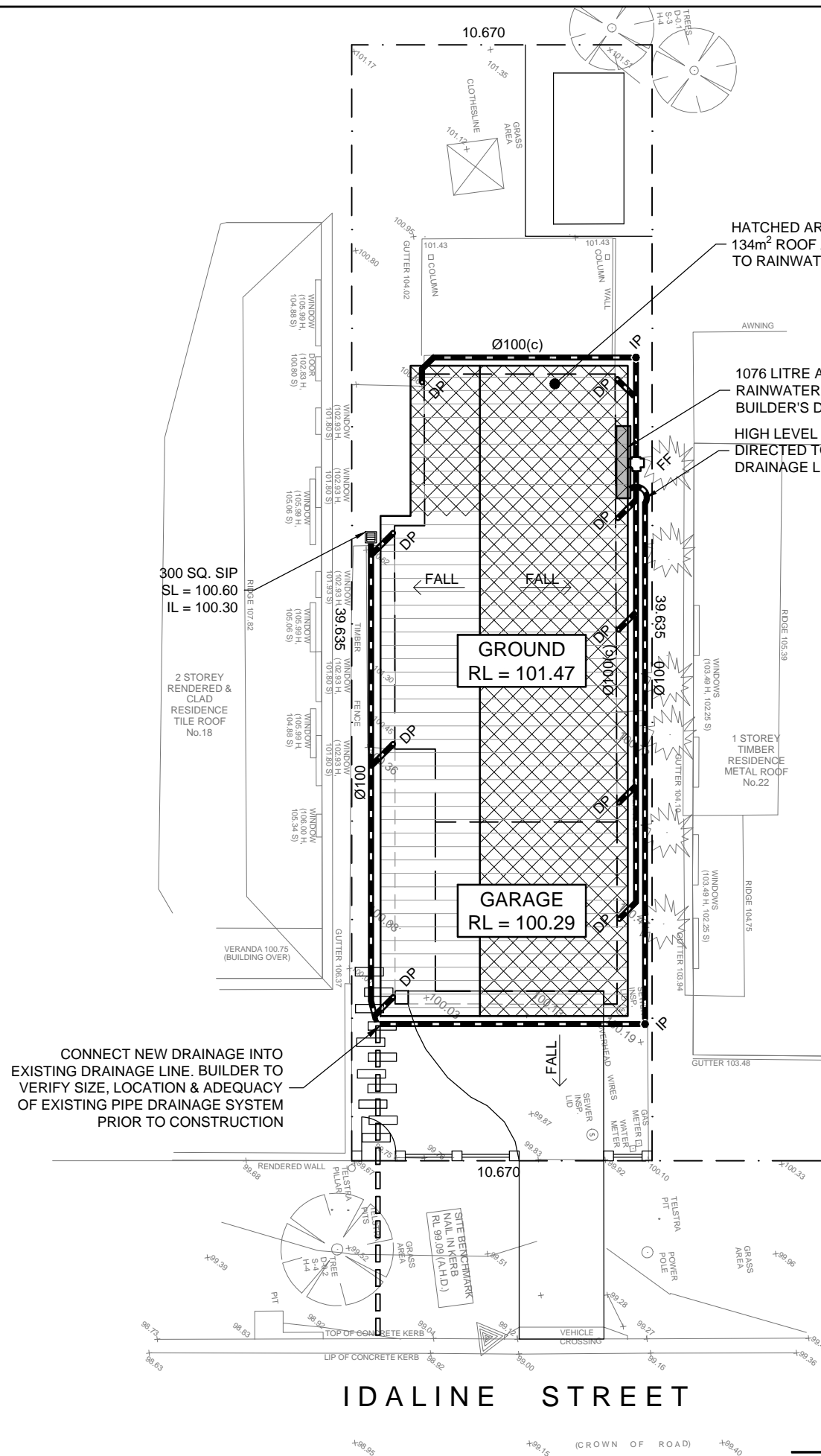
134m<sup>2</sup> ROOF AREA DIRECTED TO RAINWATER RE-USE TANK.  
 HIGH LEVEL OVERFLOW DIRECTED TO KERB & GUTTER VIA EXISTING DRAINAGE LINE

### STORMWATER DRAINAGE NOTES

- ALL DRAINAGE LINES SHALL BE uPVC (CLASS SH) STORMWATER DRAINAGE PIPE, U.N.O.
- ALL DRAINAGE LINES SHALL BE LAID @ 1% FALL MIN, U.N.O.
- FIRST FLUSH RAINWATER DEVICES TO BE FITTED TO DRAINAGE LINES TO BUILDER'S DETAIL, TYPICAL
- MINIMUM EFFECTIVE EAVES GUTTER SLOPE = 1:500 U.N.O.
- MINIMUM EFFECTIVE EAVES GUTTER SIZE = 5800 mm<sup>2</sup>

### LEGEND

-  Ø90 OR 100 x 50 RECTANGULAR DOWN PIPE, U.N.O.
-  INSPECTION POINT
-  FIRST FLUSH RAINWATER DEVICE TO BUILDERS DETAIL
-  CHARGED PIPE
-  PROPOSED BELOW GROUND PIPELINE
-  EXISTING PIPELINE
-  PROPOSED SURFACE INLET PIT



## STORMWATER DRAINAGE PLAN

1:200

NOTE: DO NOT SCALE OFF DRAWINGS. REFER TO ARCHITECTURAL PLANS. VERIFY DIMENSIONS ON SITE

REV	DATE	DESCRIPTION	BY
B	26.06.19	REVISED RWT LOCATION	F.I.
A	21.06.19	ISSUED FOR APPROVAL	F.I.

COPYRIGHT  
 All rights reserved.  
 These drawings, plans and specifications and the copyright are the property of Engineering Studio and must not be used, reproduced or copied wholly or in part without the written permission of Engineering Studio.

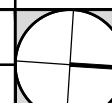
**EngineeringStudio**  
 CMI & Structural

Phone: (02) 8020 2960  
 Email: info@engineeringstudio.com.au  
 Web: www.engineeringstudio.com.au

Postal Address  
 PO Box 7191  
 BAULKHAM HILLS NSW 2153

**ALTERATIONS & ADDITIONS**  
 AT 20 IDEALINE STREET, COLLAROY PLATEAU  
 FOR DISTINCT INNOVATIONS

**STORMWATER DRAINAGE PLAN**

JOB NUMBER:	DWG NUMBER:	ORIGINAL SIZE:
19363	C02.01	A3
DESIGNED BY:	DATE:	
F.I.	JUNE 2019	
DRAWN BY:	SCALE:	
F.I.	1:200 U.N.O.	

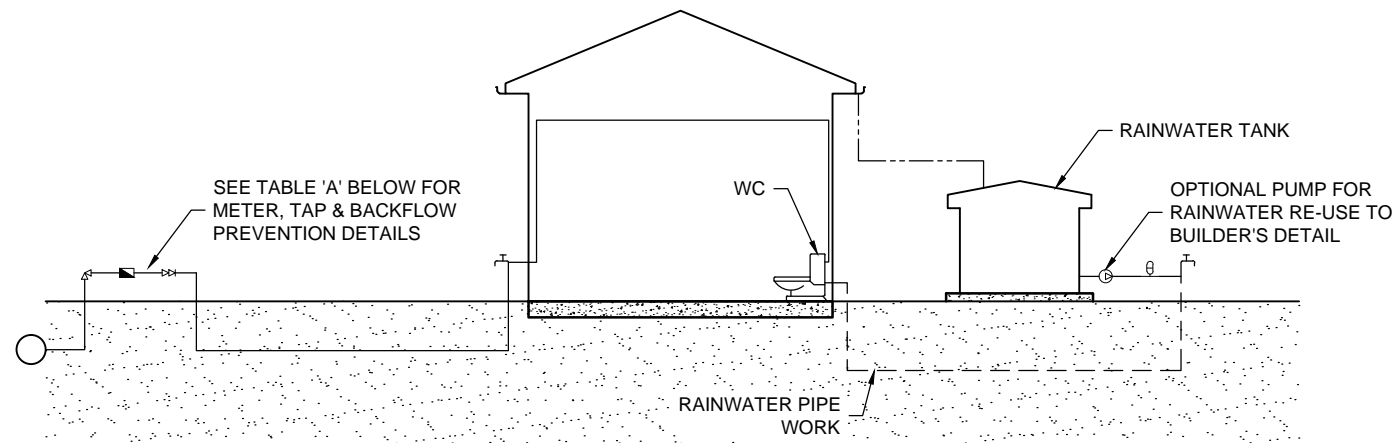
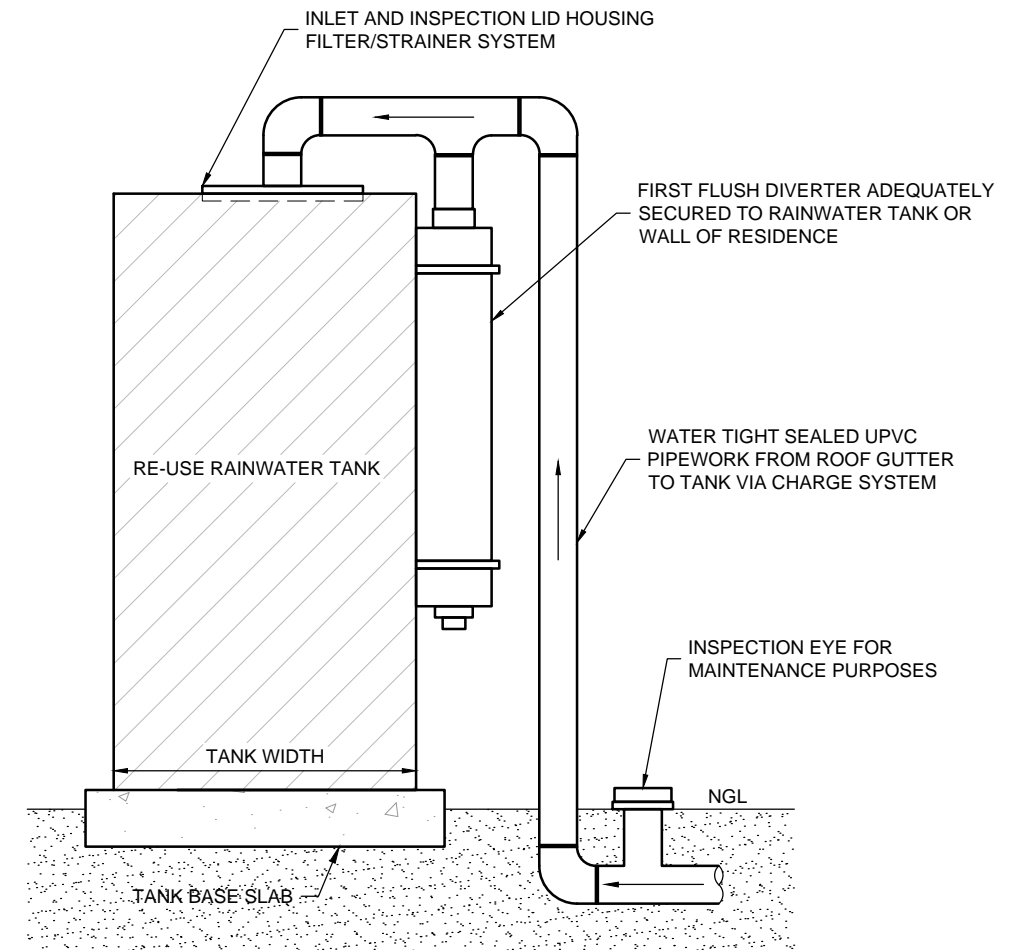


TABLE A			
RAINWATER TANK LOCATION	METER SIZE (mm)	TYPE OF TAP	TYPE OF BACKFLOW PREVENTION
ABOVE GROUND	20	BALL VALVE	DUAL CHECK VALVE (COMBINED WITH METER)
	25	BALL VALVE	DUAL CHECK VALVE
	> 32	BALL VALVE	DUAL CHECK VALVE
BELOW GROUND	20	BALL VALVE	TESTABLE DOUBLE CHECK VALVE
	25	BALL VALVE	TESTABLE DOUBLE CHECK VALVE
	> 32	BALL VALVE	TESTABLE DOUBLE CHECK VALVE

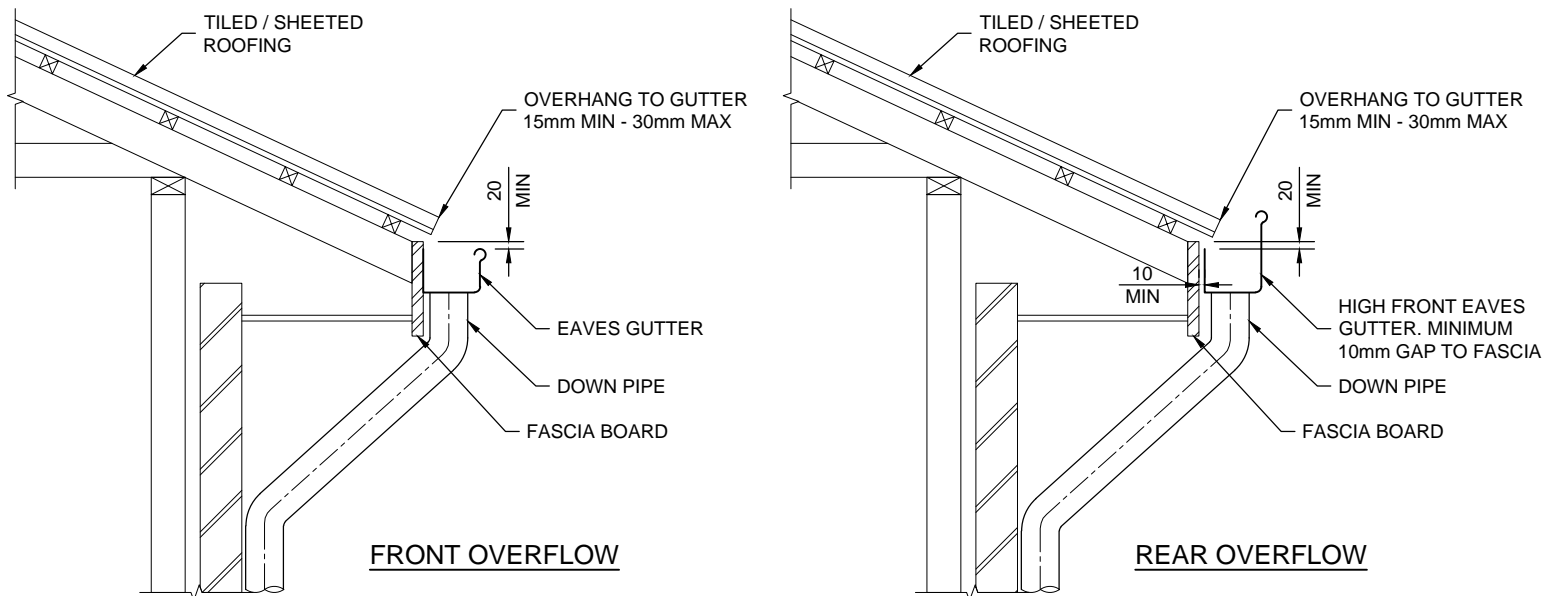
LEGEND	
	PRESSURE VESSEL
	METER
	BALL VALVE RIGHT ANGLE TYPE
	DUAL CHECK VALVE
	PUMP
	GARDEN TAP
	DRINKING WATER SUPPLY PIPES
	RAINWATER SUPPLY PIPES
	DOWN PIPES

- DIAGRAM NOTES:
- DRAWING TO BE READ IN CONJUNCTION WITH SYDNEY WATER PLUMBING REQUIREMENTS
  - FOR TANKS 10,000 LITRES OR LESS, COUNCIL DEVELOPMENT CONSENT IS NOT REQUIRED, IF THEIR CONDITIONS FOR INSTALLATION ARE FOLLOWED.
  - FOR TANKS GREATER THAN 10,000 LITRES COUNCIL DEVELOPMENT CONSENT IS GENERALLY REQUIRED.
  - FOR TANKS MORE THAN 10,000 LITRES APPROVAL IS REQUIRED FOR BUILDING OVER SEWERS.
  - SYDNEY WATER'S APPROVAL IS REQUIRED FOR ANY TOP UP FROM DRINKING WATER SUPPLY, REGARDLESS OF TANK SIZE. NO DIRECT CONNECTION IS ALLOWED BETWEEN THE DRINKING WATER SUPPLY AND THE RAINWATER TANK SUPPLY. RAINWATER PIPEWORK IS SHOWN ON THE DIAGRAM AS SUPPLYING INTERNAL AND EXTERNAL RAINWATER USES. CUSTOMERS MAY WANT ONE OR THE OTHER.
  - ANY DESIGNED ACCESS LID INTO RAINWATER RE-USE TANK IS TO HAVE A LOCKABLE LID. IF THE LID IS DESIGNED TO BE ACCESSED BY A MAINTENANCE PERSON, IT MUST BE AT LEAST 600 mm x 900 mm IN SIZE.

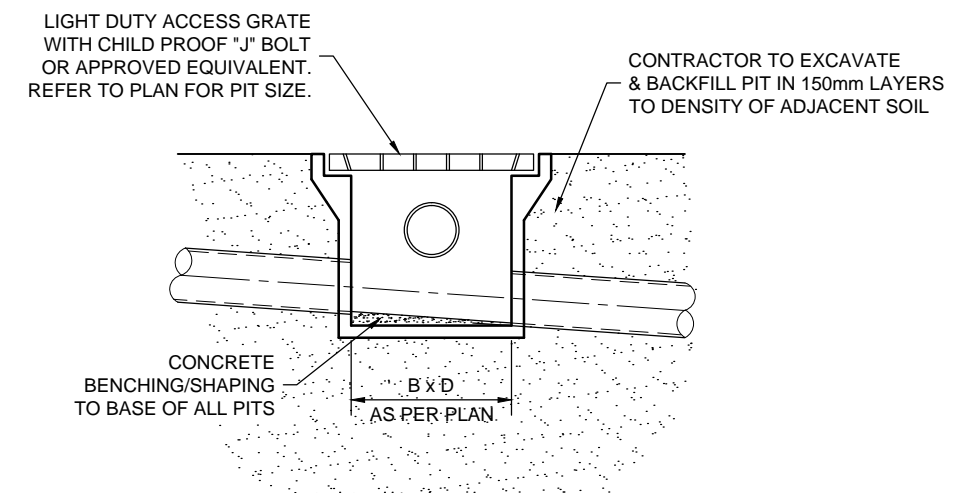


**DUAL DRINKING WATER & RAINWATER SUPPLY DIAGRAM**  
N.T.S.

**TYPICAL FIRST FLUSH DETAIL**  
N.T.S.



**TYPICAL EAVES GUTTER DETAIL**  
1:20



**TYPICAL SURFACE INLET PIT DETAIL**  
1:20

NOTE: DO NOT SCALE OFF DRAWINGS. REFER TO ARCHITECTURAL PLANS. VERIFY DIMENSIONS ON SITE

REV	DATE	DESCRIPTION	BY
B	26.06.19	REVISED RWT LOCATION	F.I.
A	21.06.19	ISSUED FOR APPROVAL	F.I.

COPYRIGHT  
All rights reserved.  
These drawings, plans and specifications and the copyright are the property of Engineering Studio and must not be used, reproduced or copied wholly or in part without the written permission of Engineering Studio.

**EngineeringStudio**  
Civil & Structural

Phone: (02) 8020 2960  
Email: info@engineeringstudio.com.au  
Web: www.engineeringstudio.com.au

Postal Address  
PO Box 7191  
BAULKHAM HILLS NSW 2153

**ALTERATIONS & ADDITIONS**  
AT 20 IDALINE STREET, COLLAROY PLATEAU  
FOR DISTINCT INNOVATIONS

**STORMWATER DETAILS SHEET**

JOB NUMBER:	DWG NUMBER:	ORIGINAL SIZE:
19363	C02.02	A3
DESIGNED BY: F.I.	DATE: JUNE 2019	
DRAWN BY: F.I.	SCALE: 1:20 U.N.O	